

# Product Datasheet

Model :  
S-71151-BK-8W-4000



## Electrical parameters

Driver	With CB Lifud drive
LED CHIP	Epister SMD Chip
Driver life span	10000H
Input voltage	240-220V, 60/50HZz

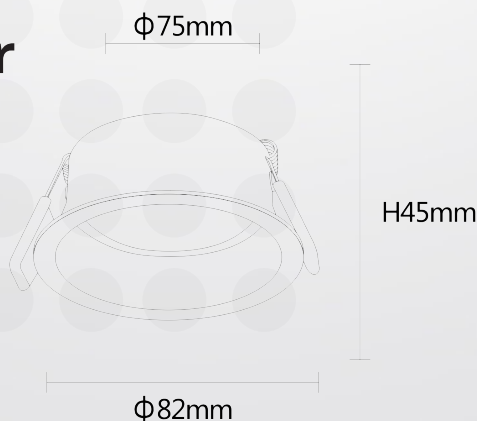
## Technical general

System power	8W
Color temperature	4000
Finish color	Black
Material	ring surface is made of high quality aviation aluminum

## size

Fixture size-mm	Ø82×H45mm
Cut out-mm	Ø75mm

Warranty:3 year



מקס לייט בע"מ יבוא ושיווק גופי תאורה