

Product Datasheet

Model :
S-71151-BK-6W-4000



Electrical parameters

Driver	With CB Lifud drive
LED CHIP	Epister SMD Chip
Driver life span	10000H
Input voltage	240-220V, 60/50HZz

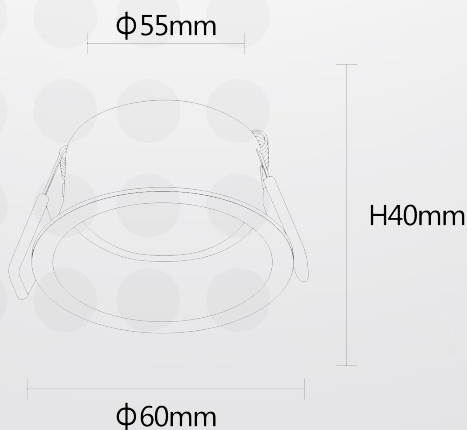
Technical general

System power	6W
Color temperature	4000
Finish color	Black
Material	ring surface is made of high quality aviation aluminum

size

Fixture size-mm	Ø60×H40mm
Cut out-mm	Ø55mm

Warranty:3 year



מקס לייט **יבוא ושיווק גופי תאורה** בע"מ