

Product Datasheet

Model :
S-71149-BK-6W-4000



Electrical parameters

Driver	EAGLTRISE drive
LED CHIP	Epister Chip
Driver life span	/
Input voltage	/

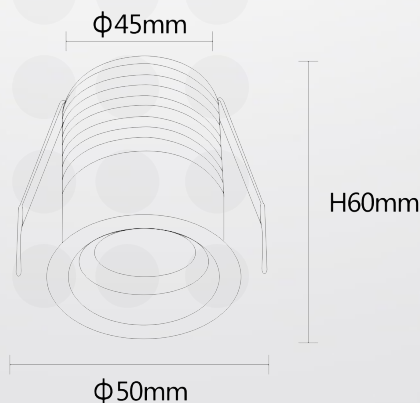
Technical general

System power	6W
Color temperature	4000
Finish color	Black
Material	ring surface is made of high quality aviation aluminum

size

Fixture size-mm	Ø50×H60mm
Cut out-mm	Ø45

Warranty:3 year



מקס לייט בע"מ **יבוא ושיווק גופי תאורה**