

Product Datasheet

Model :
S-71152-WH-2-4000



Electrical parameters

Driver	PHILIPS drive
LED CHIP	Epister Chip
Driver life span	10000H
Input voltage	240-220V, 60/50HZz

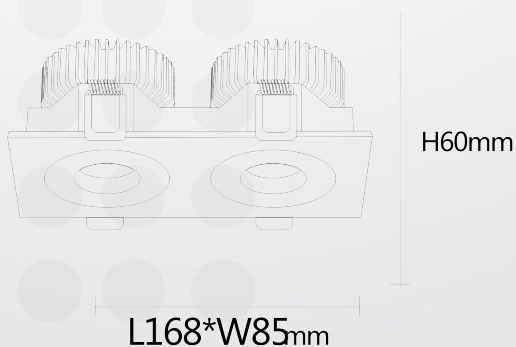
Technical general

System power	8W*2
Color temperature	4000
Finish color	White
Material	ring surface is made of high quality aviation aluminum

size

Fixture size-mm	/
Cut out-mm	/

Warranty:3 year



מקס לייט **יבוא ושיווק גופי תאורה** בע"מ