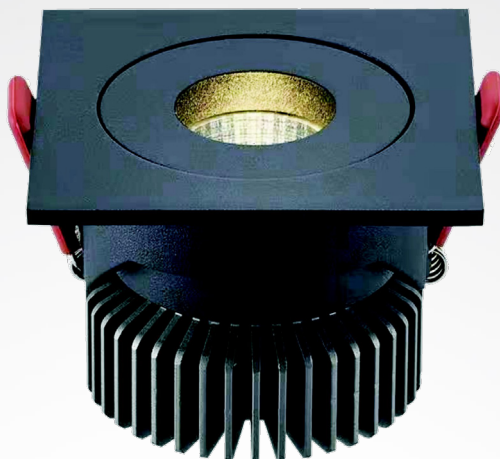


Product Datasheet

Model :
S-71152-BK-S-8W-3000



Electrical parameters

Driver	PHILIPS drive
LED CHIP	Epister Chip
Driver life span	10000H
Input voltage	240-220V, 60/50HZz

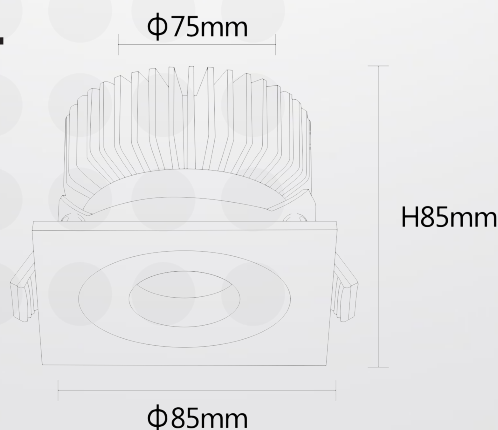
Technical general

System power	8W
Color temperature	3000
Finish color	Black
Material	ring surface is made of high quality aviation aluminum

size

Fixture size-mm	85*85mm
Cut out-mm	ø75mm

Warranty:3 year



יבוא ושיווק גופי תאורה בע"מ

סקליוט