

# Product Datasheet

Model :  
S-71152-WH-S-8W-4000



## Electrical parameters

Driver	PHILIPS drive
LED CHIP	Epister Chip
Driver life span	10000H
Input voltage	240-220V, 60/50HZz

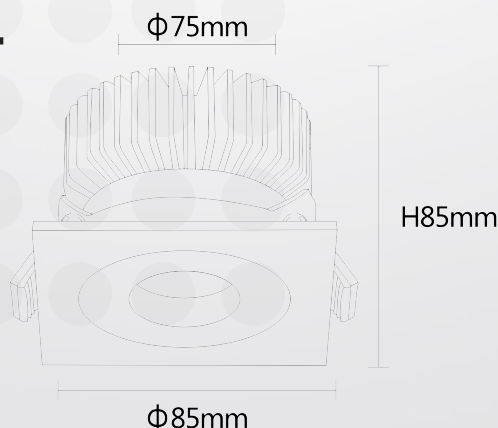
## Technical general

System power	8W
Color temperature	4000
Finish color	White
Material	ring surface is made of high quality aviation aluminum

## size

Fixture size-mm	85*85mm
Cut out-mm	ø75mm

**Warranty:3 year**



**מקס לייט** בע"מ **יבוא ושיווק גופי תאורה**