

Product Datasheet

Model :
S-71145-BK-30W-3000



Electrical parameters

| | |
|------------------|--------------------|
| Driver | PHILIPS drive |
| LED CHIP | Epister Chip |
| Driver life span | 10000H |
| Input voltage | 240-220V, 60/50HZz |

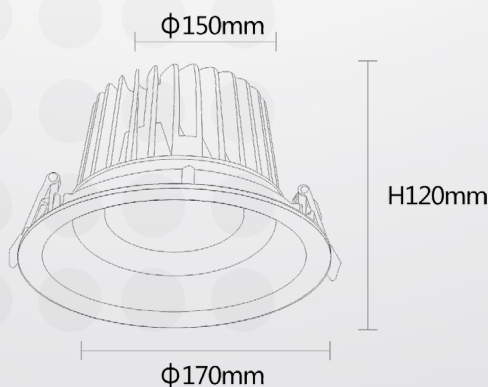
Technical general

| | |
|-------------------|--|
| System power | 30W |
| Color temperature | 3000 |
| Finish color | Black |
| Material | ring surface is made of high quality aviation aluminum |

size

| | |
|-----------------|---------------|
| Fixture size-mm | Ø170mm*H120mm |
| Cut out-mm | Ø150mm |

Warranty:3 year



מקס לייט בע"מ יבוא ושיווק גופי תאורה