

# Product Datasheet

Model :  
S-71145-BK-12W-3000



## Electrical parameters

Driver	PHILIPS drive
LED CHIP	Epister Chip
Driver life span	10000H
Input voltage	240-220V, 60/50HZz

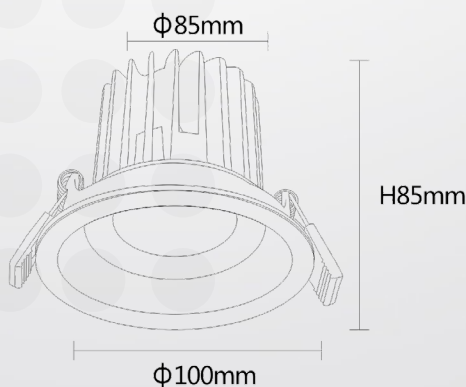
## Technical general

System power	12W
Color temperature	3000
Finish color	Black
Material	ring surface is made of high quality aviation aluminum

## size

Fixture size-mm	Ø100mm*H85mm
Cut out-mm	Ø85mm

**Warranty:3 year**



מקX לייט בע"מ **יבוא ושיווק גופי תאורה**