

Product Datasheet

Model :
S-71145-WH-12W-4000



Electrical parameters

Driver	PHILIPS drive
LED CHIP	Epister Chip
Driver life span	10000H
Input voltage	240-220V, 60/50HZz

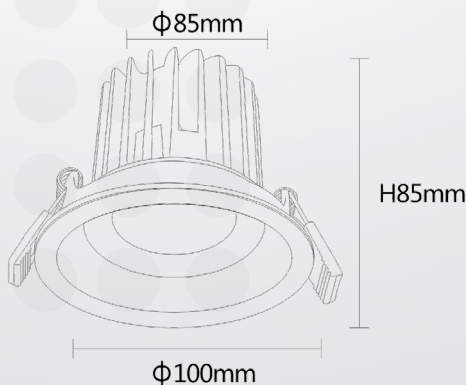
Technical general

System power	12W
Color temperature	4000
Finish color	White
Material	ring surface is made of high quality aviation aluminum

size

Fixture size-mm	Ø100mm*H85mm
Cut out-mm	Ø85mm

Warranty:3 year



מק לויט בע"מ **יבוא ושיווק גופי תאורה**