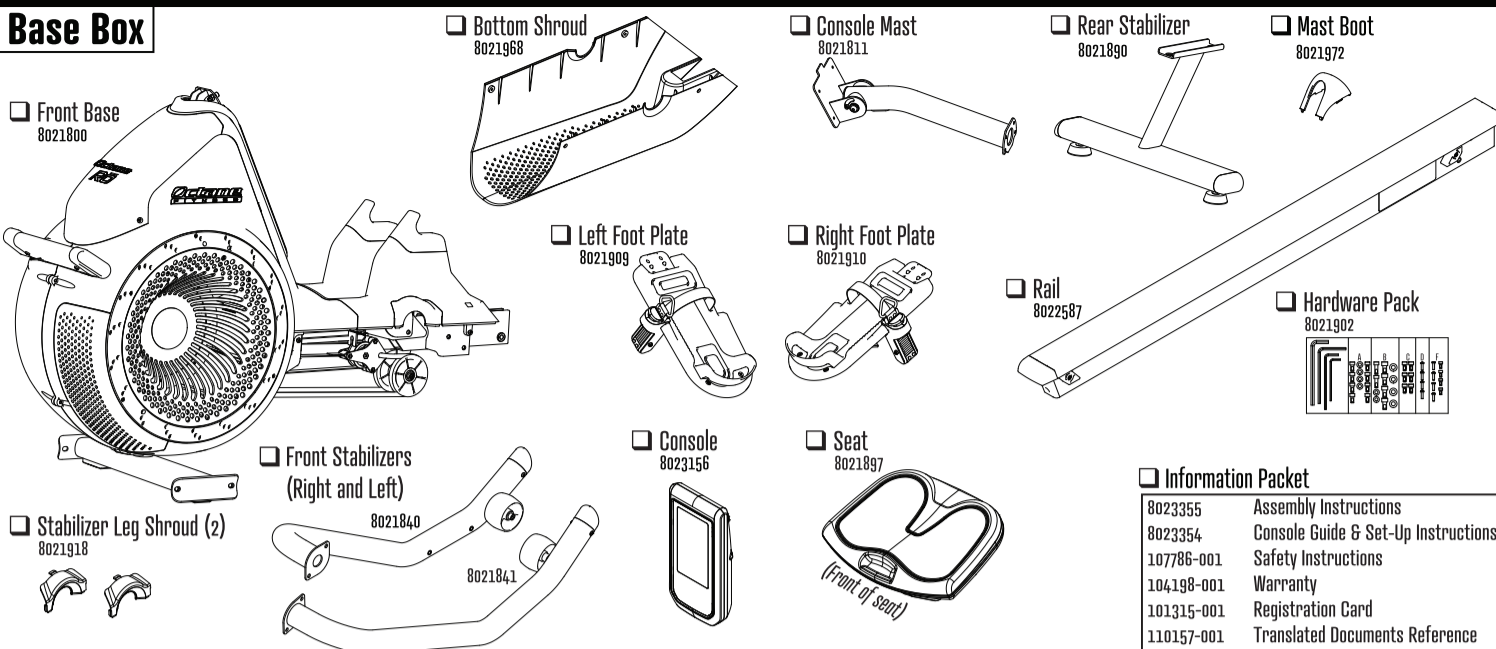
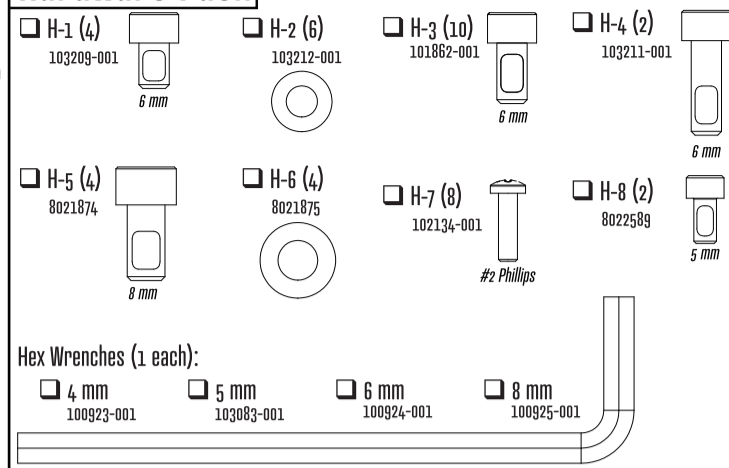


## Base Box



## Hardware Pack



**Information Packet**

8023355	Assembly Instructions
8023354	Console Guide & Set-Up Instructions
107786-001	Safety Instructions
104198-001	Warranty
101315-001	Registration Card
110157-001	Translated Documents Reference

### Tools Required:

- 8 mm hex wrench (provided)
- 6 mm hex wrench (provided)
- 5 mm hex wrench (provided)
- 4 mm hex wrench (provided)
- #2 Phillips Screwdriver
- Cutting tool

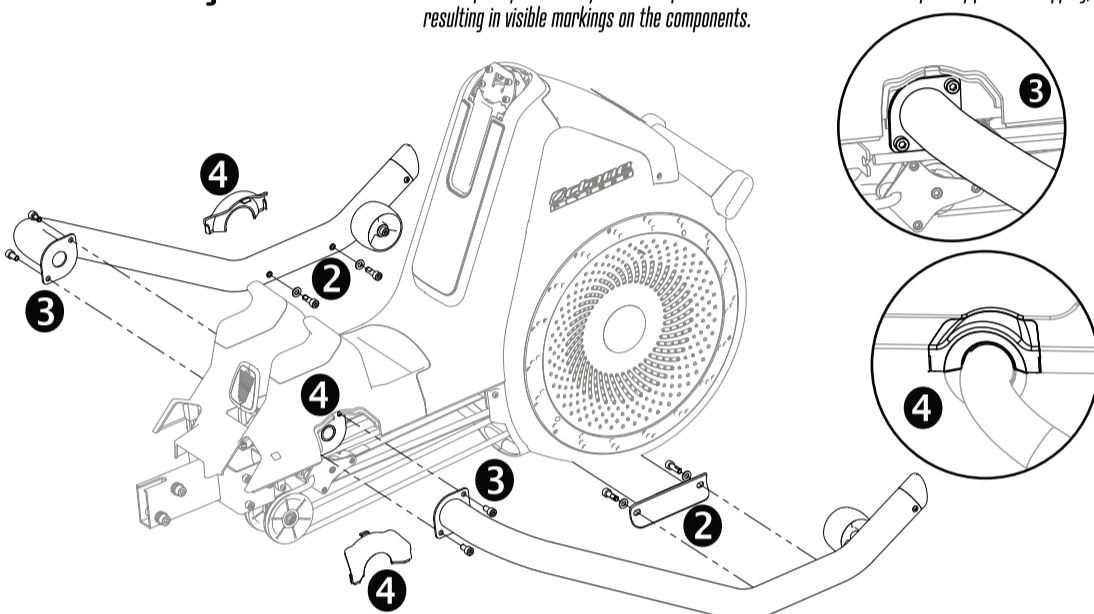
## A



Read and understand the "Product Safety Information" manual before assembly.

Note: Parts of the product may have been pre-assembled and disassembled at factory prior to shipping, resulting in visible markings on the components.

### Front Stabilizers & Stabilizer Leg Shrouds



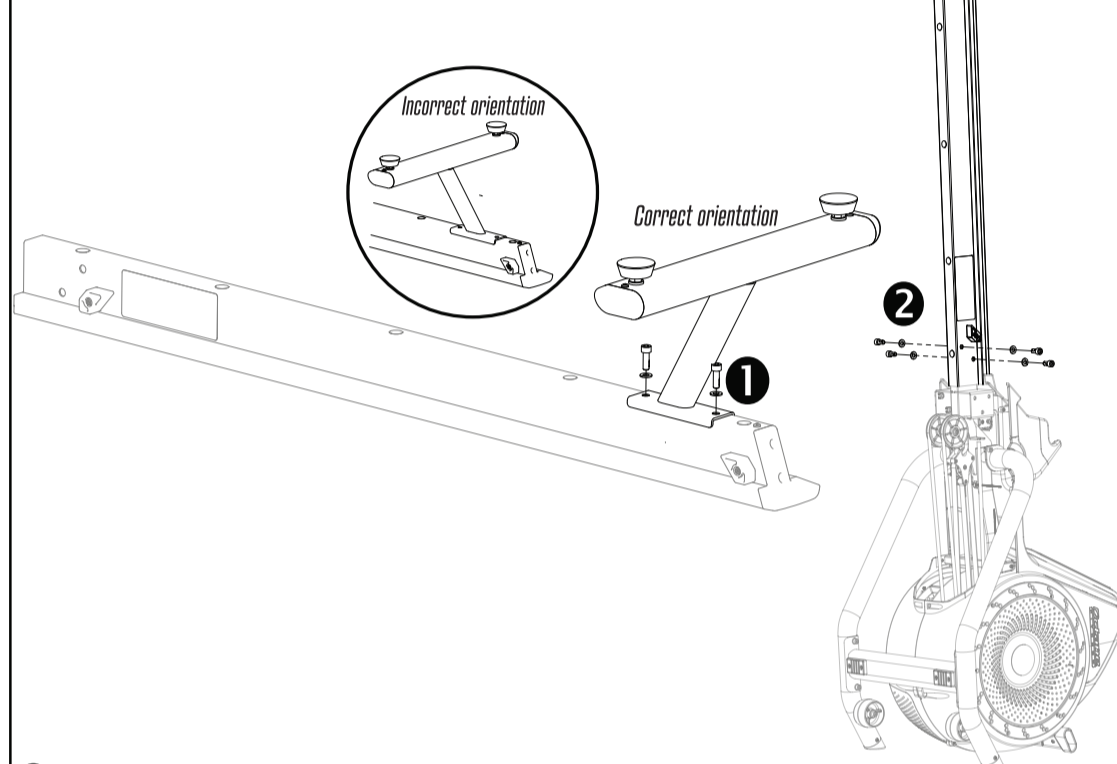
1 Use cutting tool to cut carton away from product according to the cut lines indicated on carton. Unpack all loose parts, including console box, and set aside (not shown).

#### For each front stabilizer:

- Insert H-1 into washer H-2 (quantity 4 each). Align stabilizer with bracket on bottom of front base. Insert H-1/H-2 assembly (quantity 2) partially into holes in bracket.
- Insert H-3 (quantity 2) into stabilizer and frame bracket; tighten to 17 ft-lbs using 6 mm hex wrench. Stand base upright with front end down (as shown in step B). Use 6 mm hex wrench to tighten bolts at front of stabilizer (inserted in step A-2).
- Place stabilizer leg shroud over stabilizer bar at frame bracket. Align upper tab on shroud with slot in power base and snap shroud into place.

## B

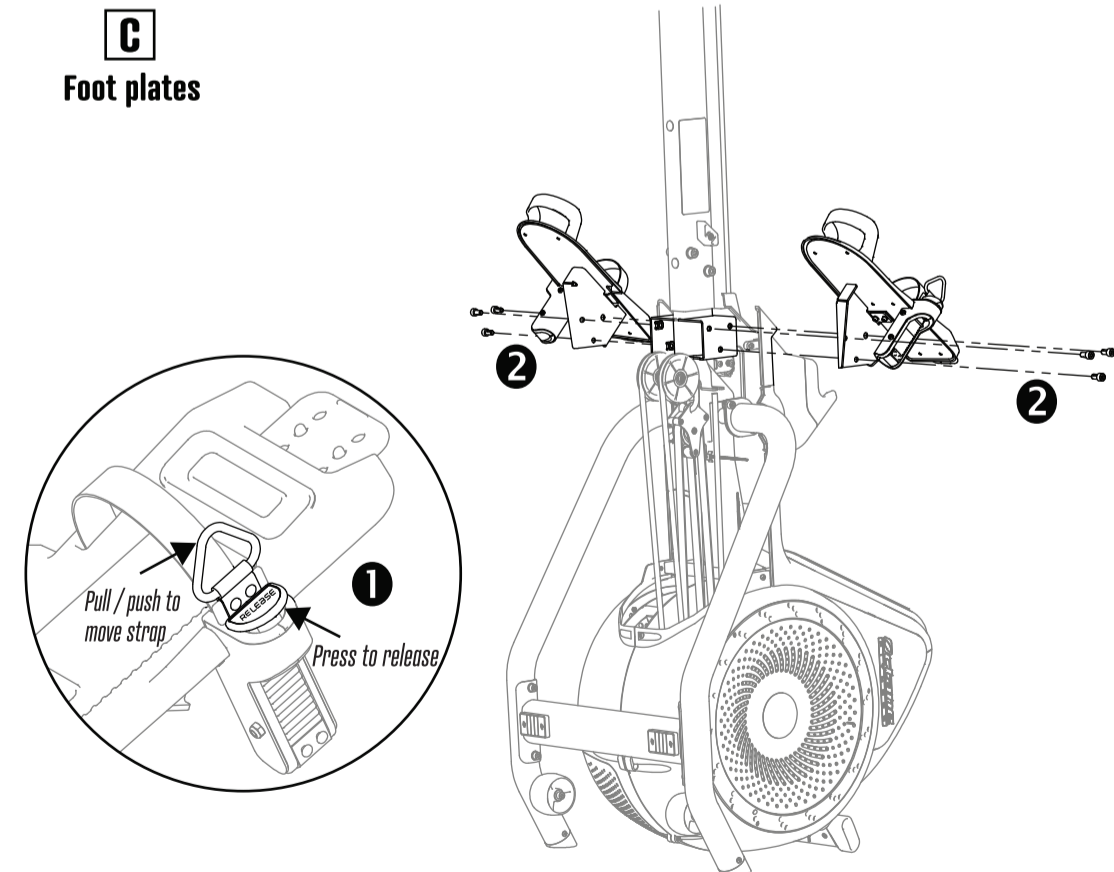
### Rear Stabilizer & Rail



- Position rail upside down on the floor. Insert H-4 into washer H-2 (quantity 2 each). Align rear stabilizer bracket with holes in rail, as shown. Insert H-4/H-2 assembly (quantity 2) through rear stabilizer bracket into holes in rail; tighten to 17 ft-lbs using 6 mm hex wrench.
- Insert H-5 into washer H-6 (quantity 4 each). Align holes in front of rail with holes in front of base. Insert H-5/H-6 assembly (quantity 2 each side) through rail into holes in base and partially tighten to hold rail in place. (Do not fully tighten until step D-3.)

## C

### Foot plates

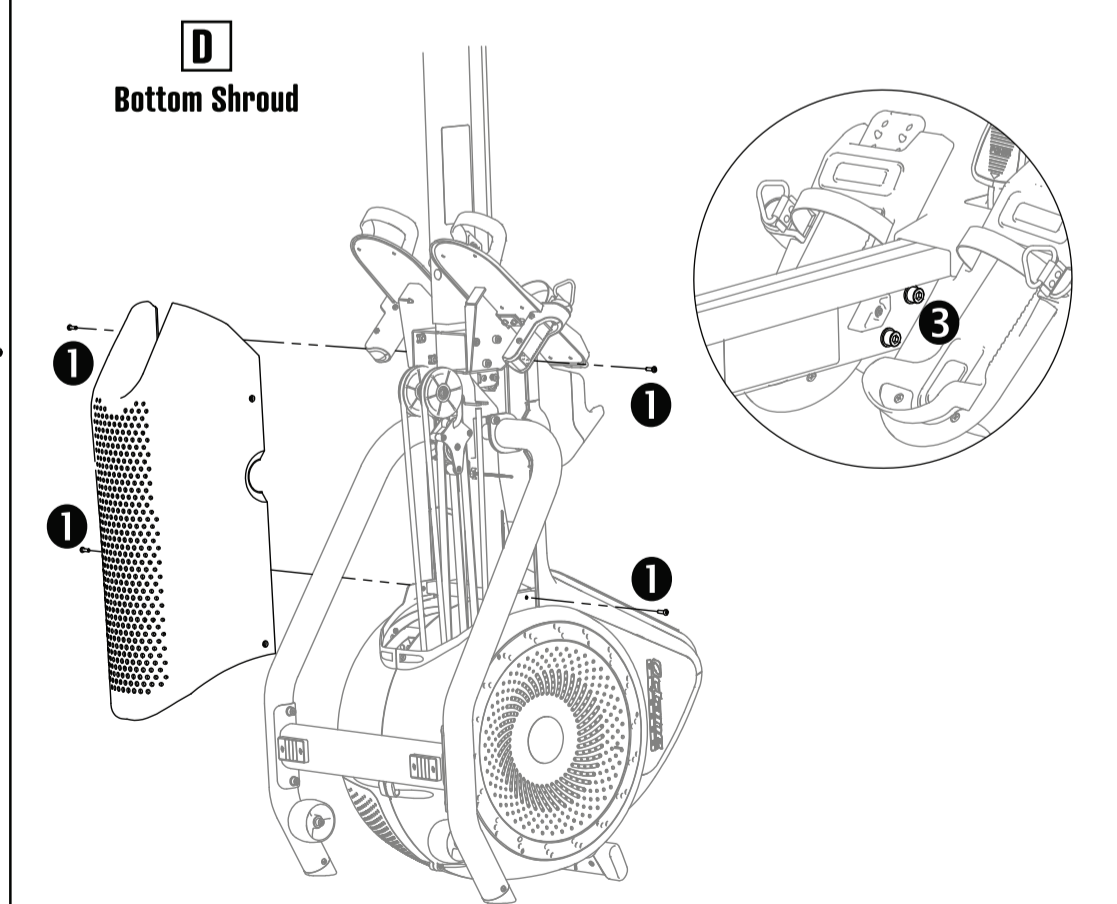


#### For each foot plate (labeled 'right' and 'left'):

- Test the foot strap mechanism by pressing the "Release" button and moving the adjustment strap to verify it slides freely in its slot and locks into place when "Release" button is released.
- Position foot plate at frame bracket on corresponding user-right or user-left side of base with "Release" button toward the outside of the machine and the heel cup toward the back end of the rail as shown. Insert H-3 (quantity 3) through foot plate bracket into frame bracket; tighten to 17 ft-lbs using 6 mm hex wrench.

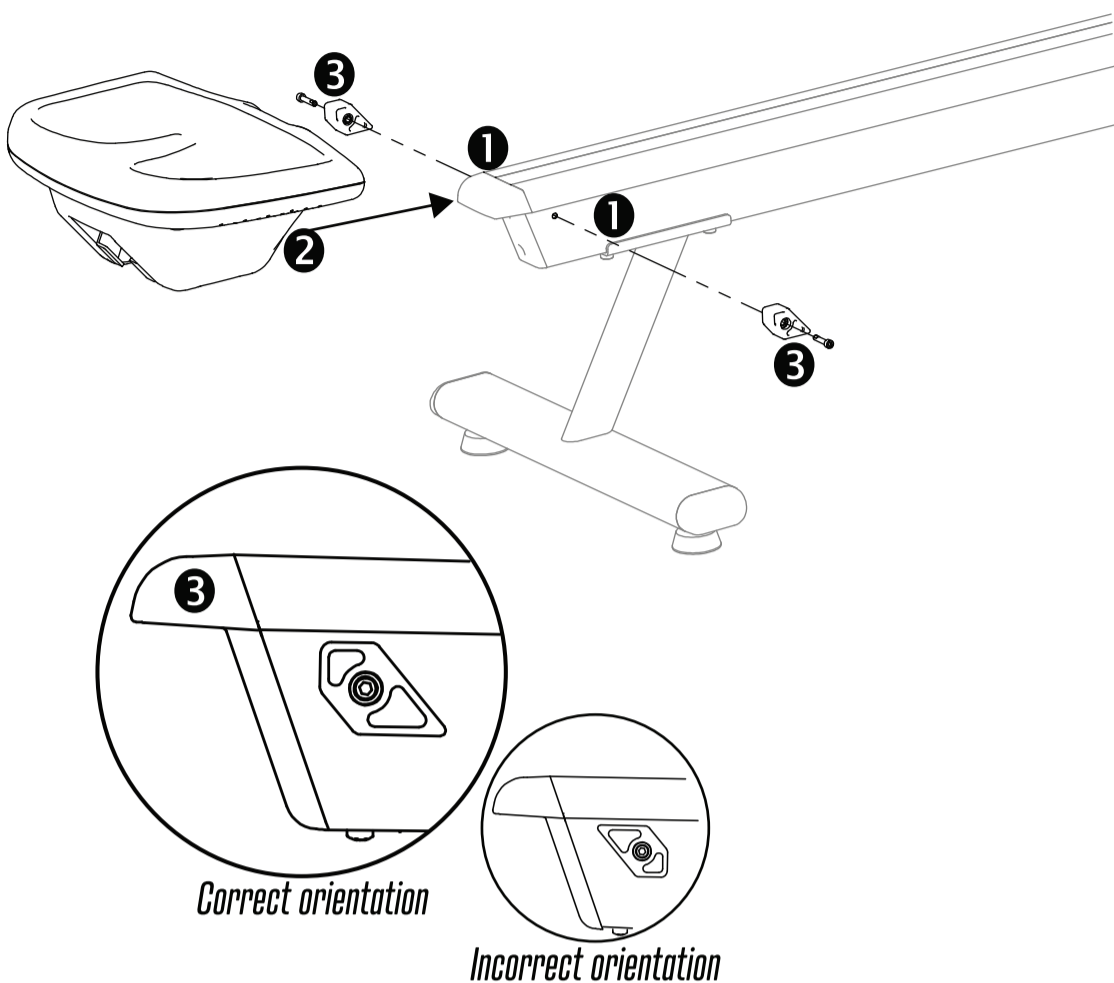
## D

### Bottom Shroud



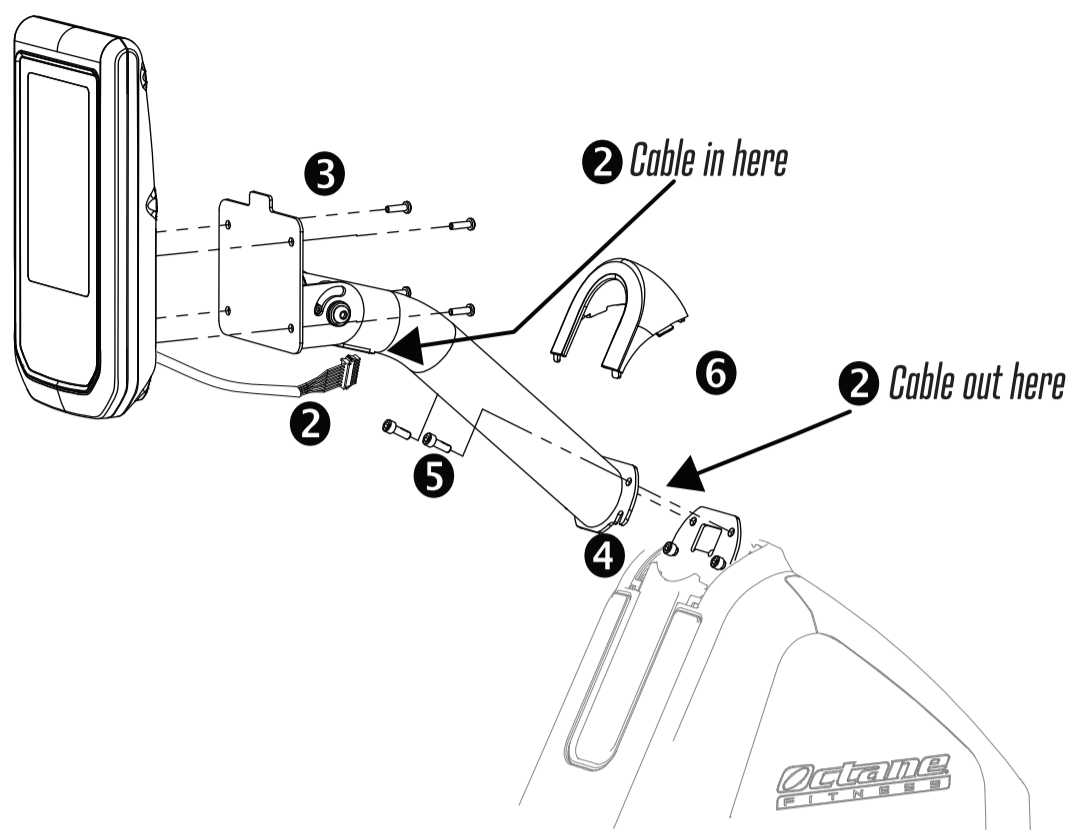
- Position bottom shroud under rail. Insert H-7 (quantity 2 each side) through holes in shroud and into base. Tighten using #2 Phillips screwdriver.
- Carefully tip machine down to rest on floor (not shown).
- Tighten rail bolts (quantity 4, installed in step B-2) to 33 ft-lbs using 8 mm hex wrench.

**E**  
Seat



- 1 Use 4 mm hex wrench to remove screw and rubber seat bumper (quantity 1 each) from each side of rail end. Set screws and bumpers aside for reuse. **Important:** To ensure proper re-installation, note the correct orientation of the bumpers before removal.
- 2 Slide seat onto rail with small notch in seat pad toward the front as shown.
- 3 Realign rubber seat bumper on one side of rail end. Insert screw removed in step E-1 into bumper and rail; tighten with 4 mm hex wrench. Repeat for second bumper.

**F**  
Console & Mast Boot



- 1 Remove console from box and protective packaging (not shown).
- 2 Route console cable through grommet near mast plate and out through the bottom of the mast tube.
- 3 Insert tab on mast plate in slot on console back. Insert H-7 (quantity 4) through holes in mast plate and into console back; tighten using #2 Phillips screwdriver.
- 4 Connect cable from base to mast, listening for the sound of the console bell indicating a working battery. Tuck excess cable carefully into mast.
- 5 Position mast on mast plate of frame, taking caution not to pinch the connector or cable. Insert H-8 (quantity 2) through mast into frame and tighten 4 screws using 5 mm hex wrench.
- 6 Wrap mast boot around mast and hook into place.

**G**

**Complete Setup & Level Unit**

- 1 Remove any remaining protective packaging or films from console, base or handle (not shown).
- 2 Pull handle back and place in handle bracket.
- 3 Sit on rower seat and pull handle to activate console. Position resistance lever all the way forward (toward the console) and verify that the resistance displayed on console is 10. Position resistance lever all the way back (toward the seat) and verify that the resistance displayed on console is 1.
- 4 If desired, adjust Club Settings and/or run diagnostics according to instructions found in the *Octane Rō Console Guide and Set-Up Instructions* (Part Number 8023354).
- 5 Level rower by adjusting levelers on rear stabilizer as needed; lock both levelers.

