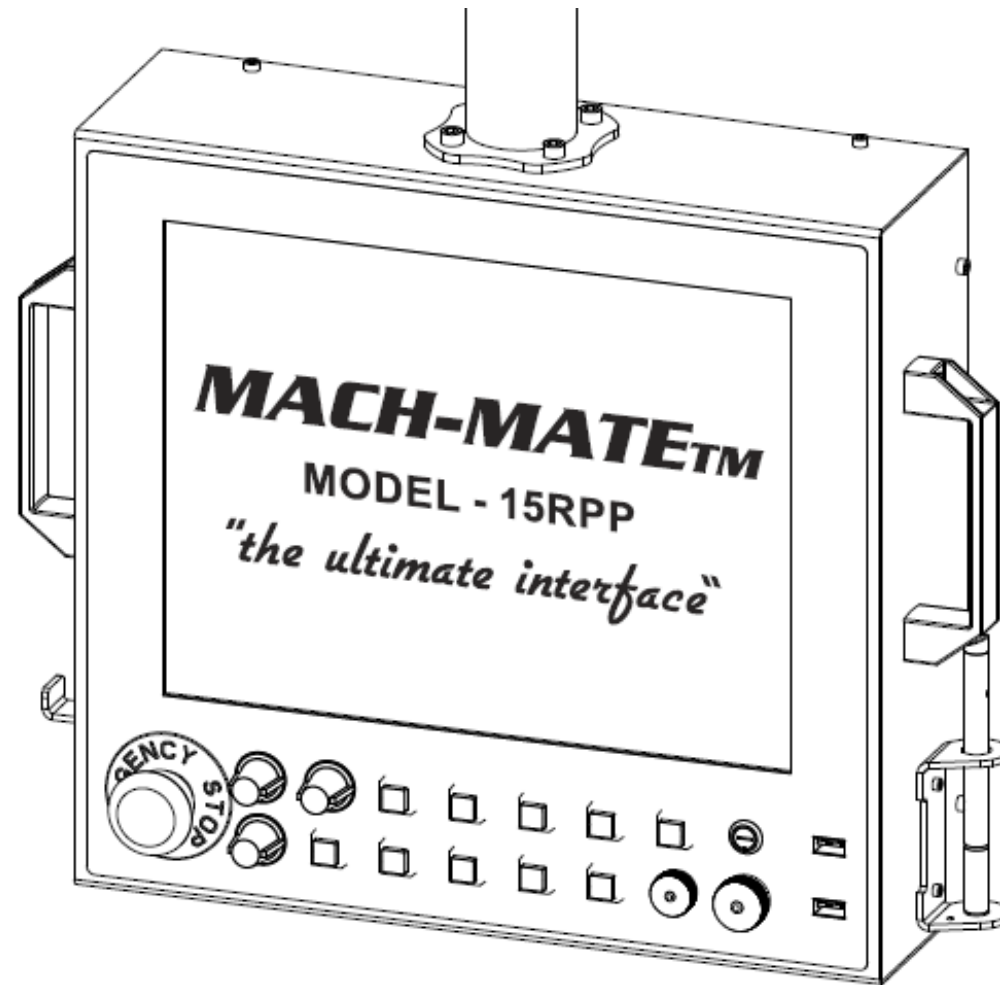


MODEL – 15RPP-ES



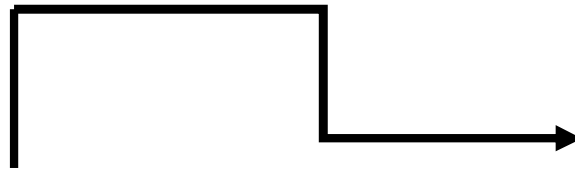


SAFETY FIRST

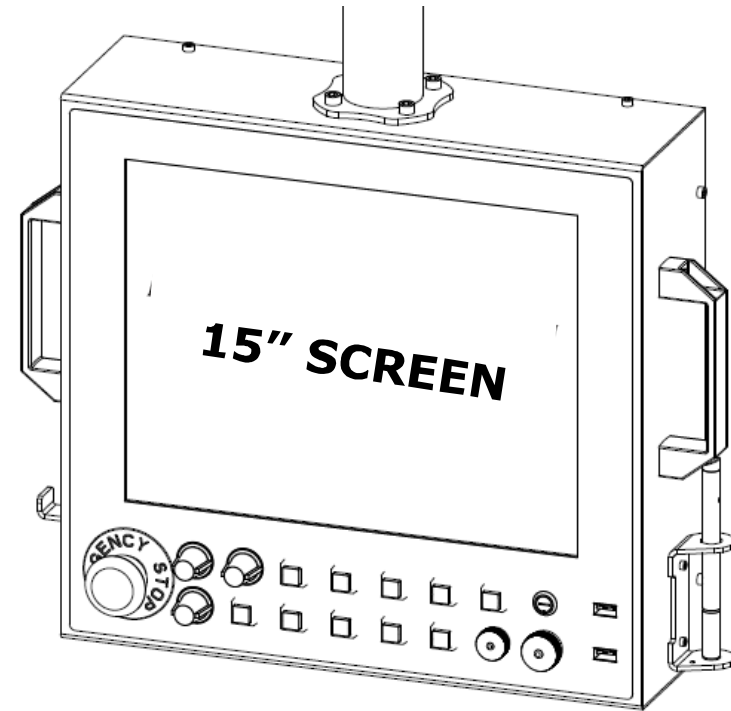
DO NOT OPEN ENCLOSURE IF NOT ISOLATED
SEEK PROFESSIONAL ASSISTANCE IF NECESSARY
GROUNDING THE EQUIPMENT IS MUST

MODEL SPECIFICATION

MODEL – 15RPP-ES

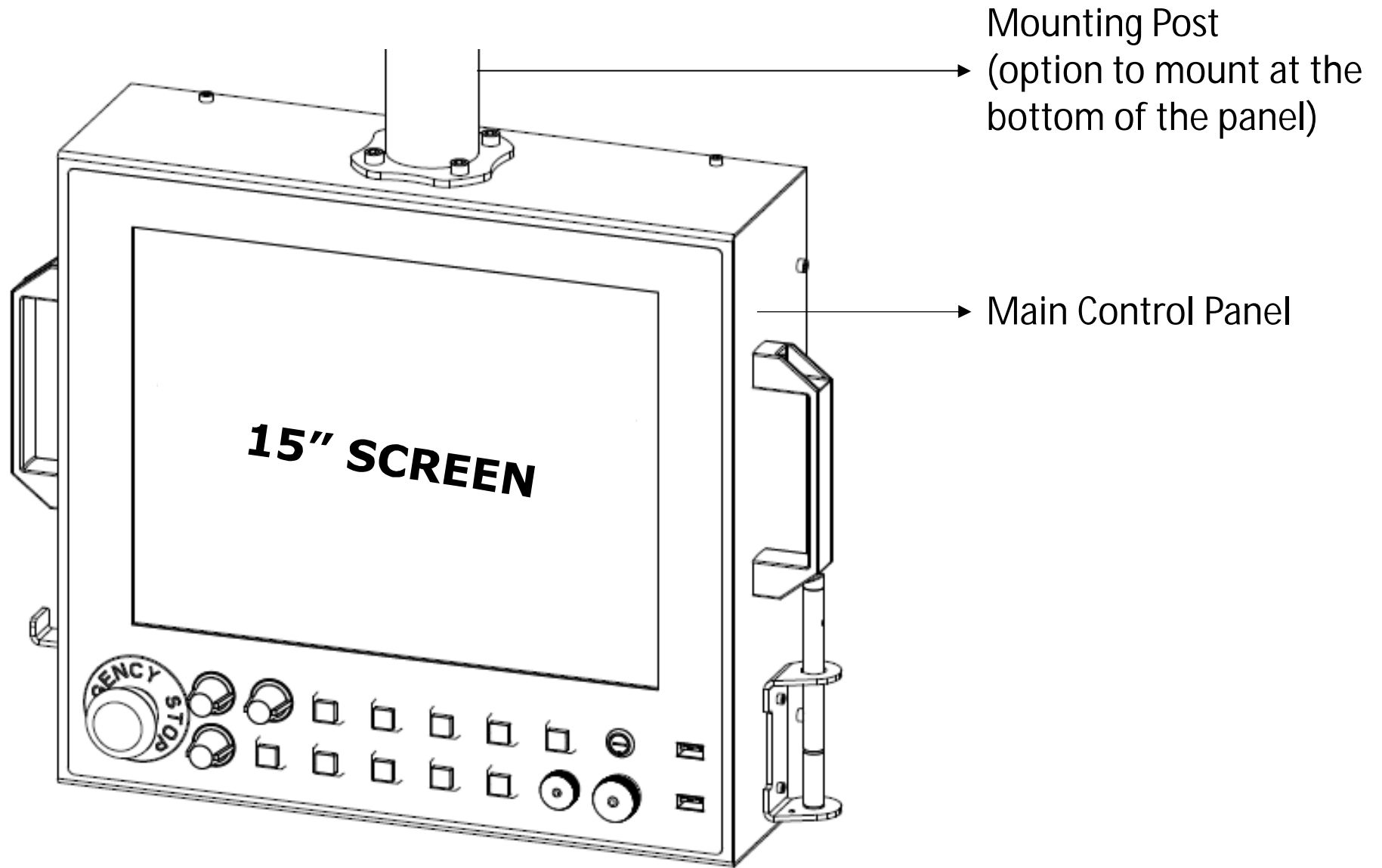


E – Enclosure
S – Screen

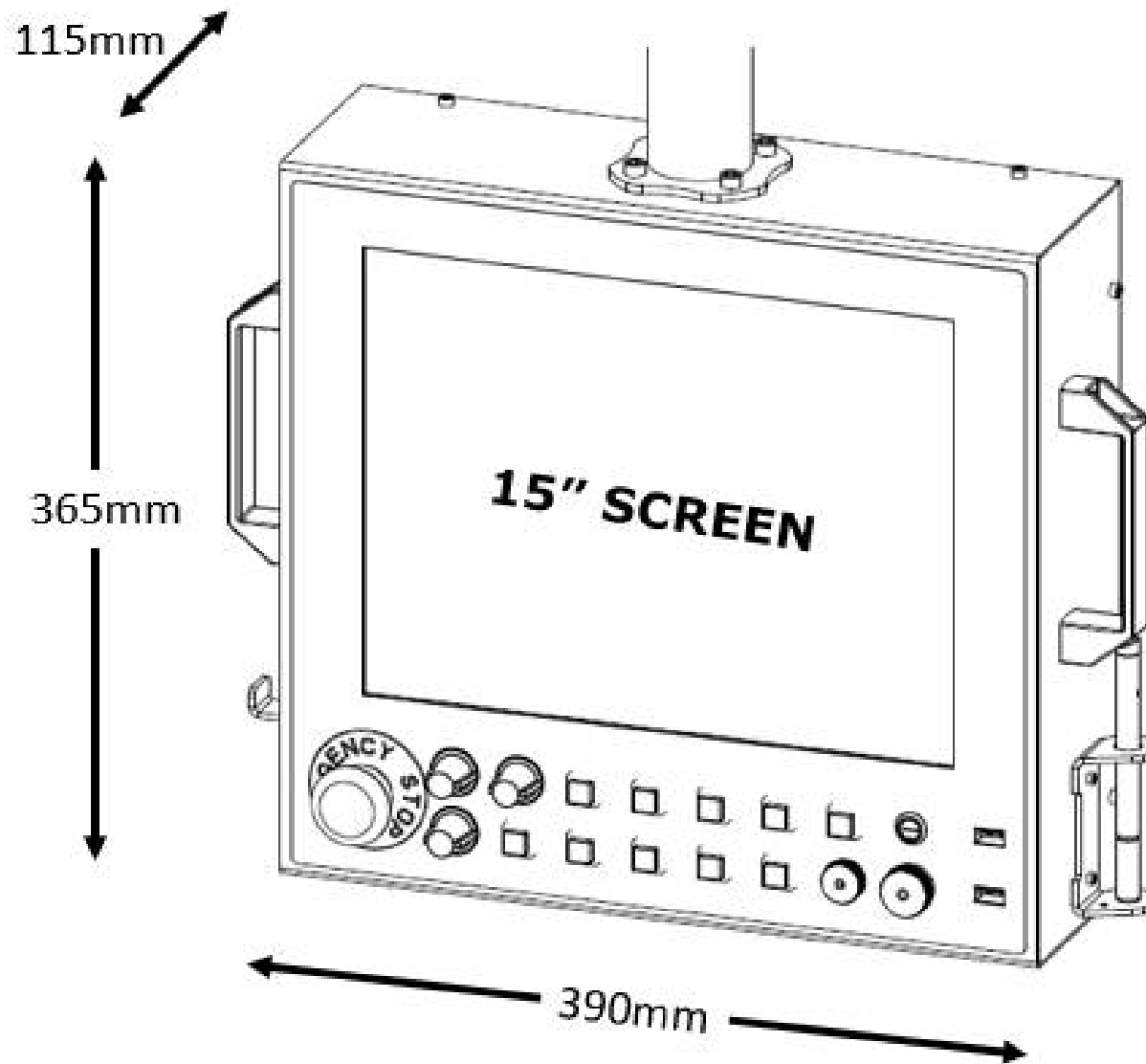


Read enclosure features for more information

OVERALL

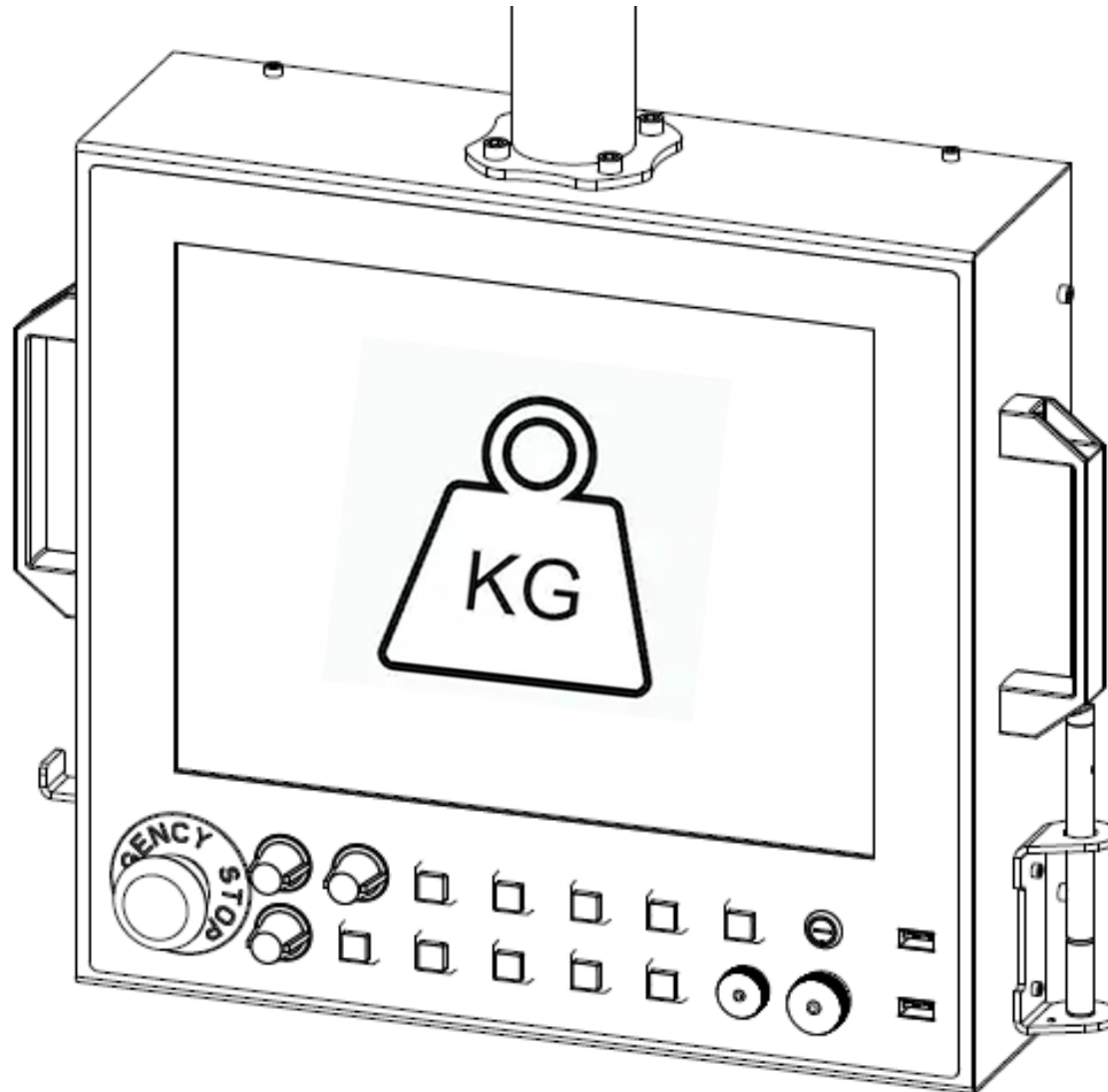


DIMENSIONS – (External dimensions excluding handles and mounting post)

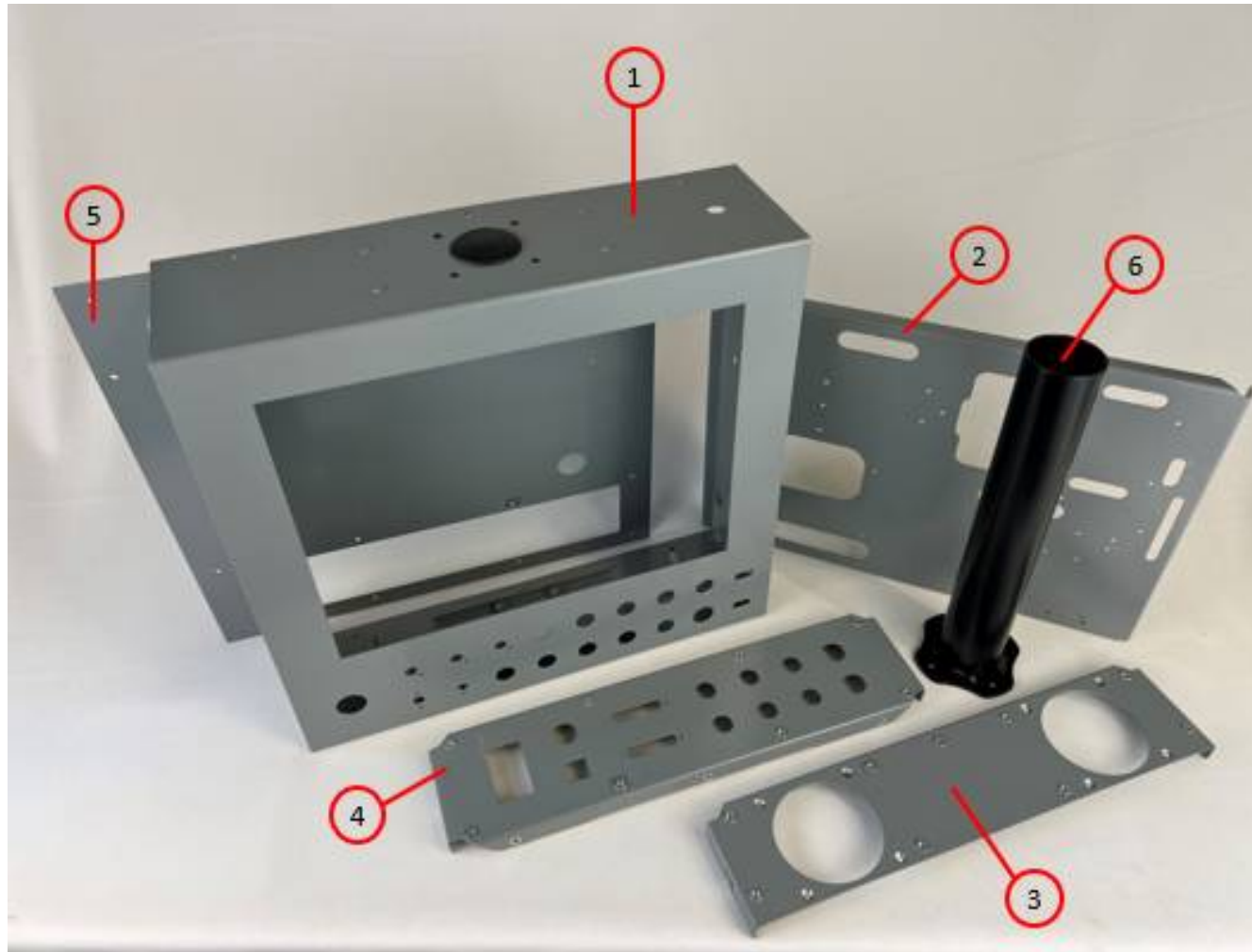


WEIGHT – 10 kgs Approximate

(Excluding mounting post and all panel mounted components)



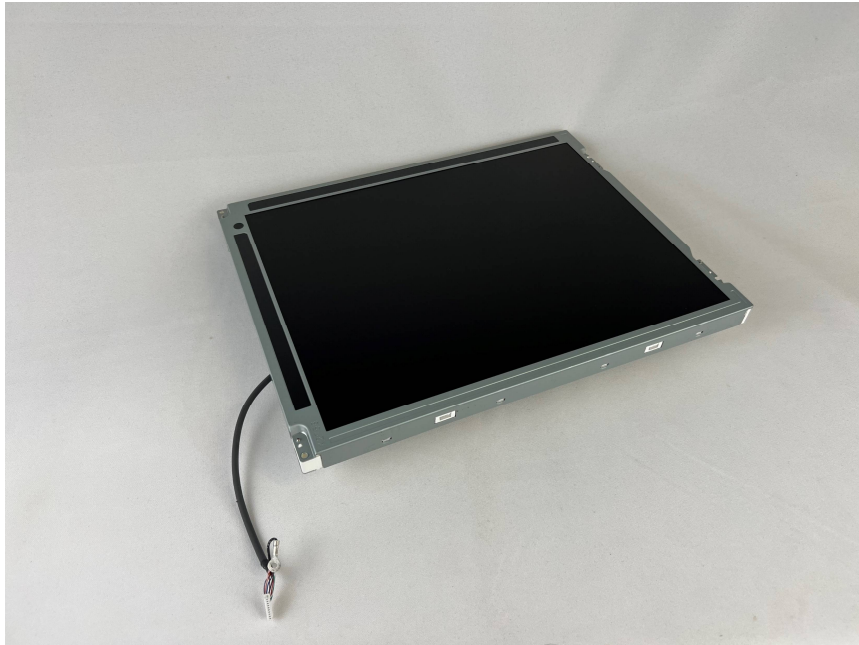
BARE PANEL



1. Front panel
2. ITX / Raspberry mounting Plate
3. Fan mounting plate

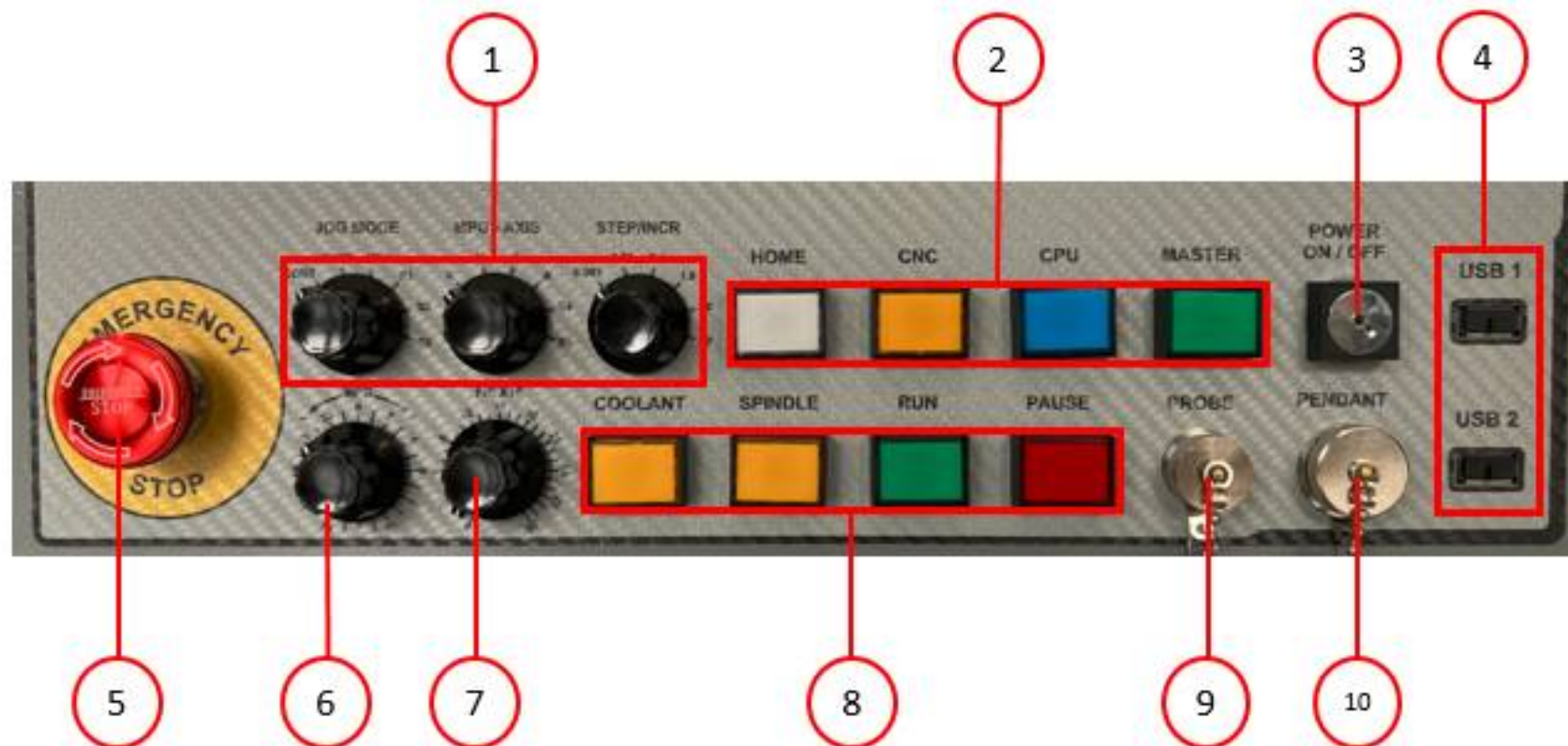
4. Socket mounting plate
5. Rear cover
6. Panel mount

SCREEN SPECIFICATION



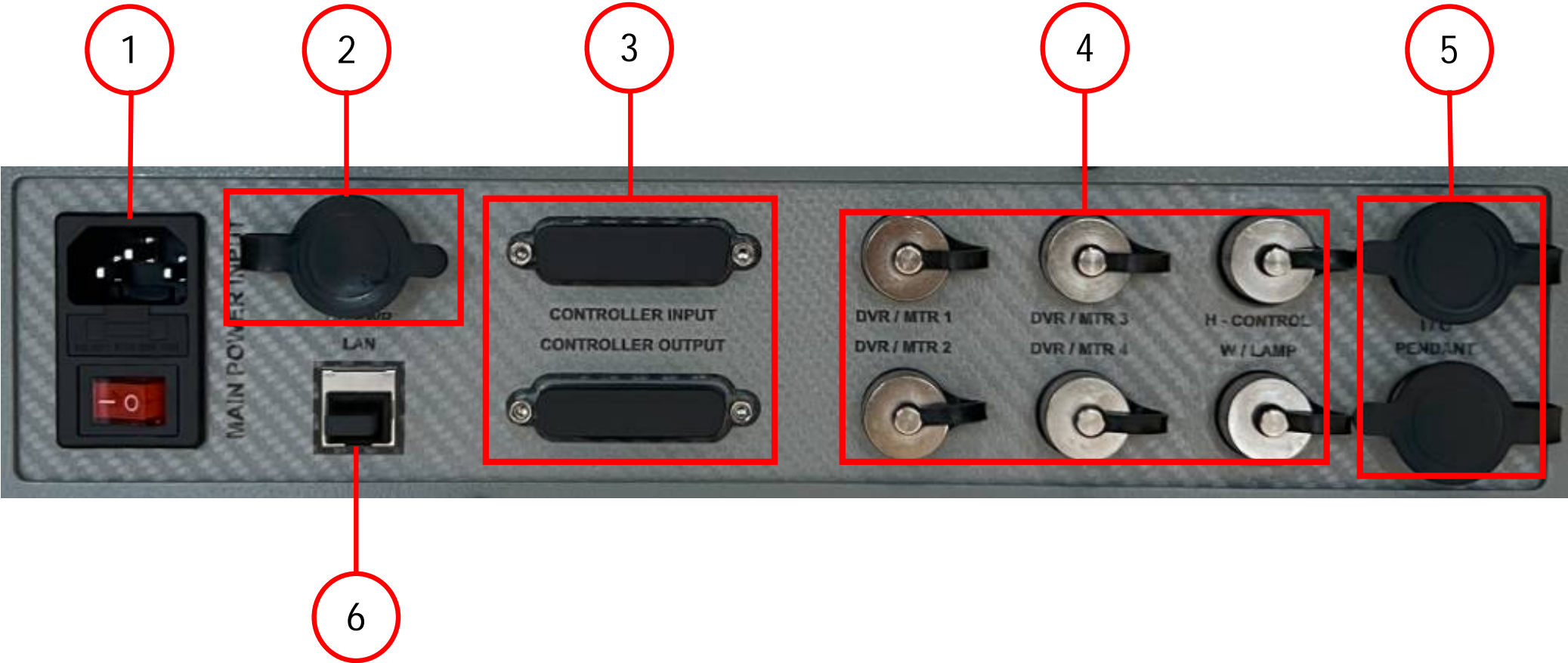
1. 15 Inch Touch / Non-Touch
2. 1024 x 768 Resolution
3. On-Screen Display for Adjustments
4. Includes VGA and DVI-D input for Graphics
5. 12VDC Power Supply
6. Made in Japan

FRONT PANEL COMPONENTS



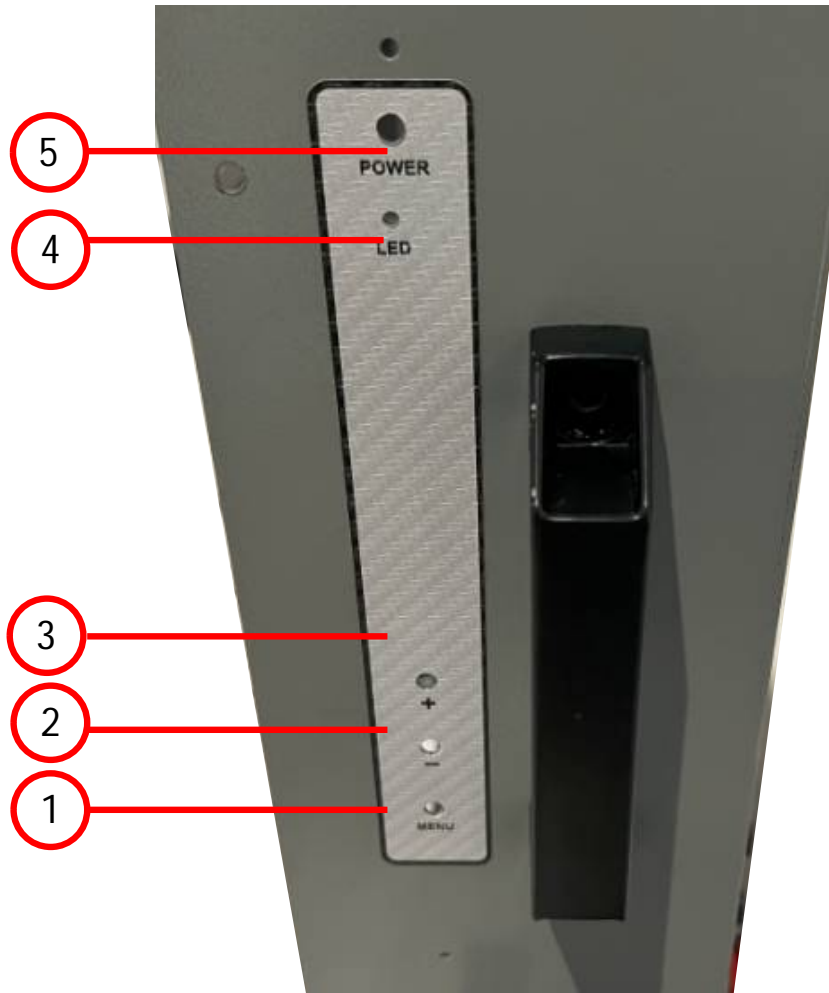
1	Rotary Switch - 9mm Panel Hole x3	6	MPG - 9mm Panel Hole x1
2	Push Button - 12mm Panel Hole x4	7	Potentiometer - 7.3mm Panel Hole x1
3	Key Switch -12mm Panel Hole x1	8	Push Button - 12mm Panel Hole x4
4	USB 2.0 Standard x2	9	GX16 Connector - 16mm Panel Hole x1
5	E Stop - 22.5mm panel Hole x1	10	GX19 Connector - 19mm Panel Hole x1

REAR PANEL COMPONENTS



1	AC Socket with Switch & Fuse	4	GX16 Connector - 16mm Panel Hole x6
2	GX19 Connector - 19mm Panel Hole x1	5	GX19 Connector - 19mm Panel Hole x2
3	DB25 - Male/Female Connector	6	Female RJ45 Ethernet

SIDE PANEL MONITOR CONTROL BUTTONS



Monitor Control Buttons			
No.	Icon	Control	Function
①		Menu button	<ol style="list-style-type: none"> 1. Launches 1st and 2nd level on-screen menus. 2. Exits menus and on-screen display.
②	-	Minus button	<ol style="list-style-type: none"> 1. Selects and adjusts the functions. 2. Activates Auto Adjusts when the OSD menu is inactive.
③	+	Plus button	Selects and adjusts the functions.
④		Power switch	Turns the monitor on and off.
⑤		Power LED	<ol style="list-style-type: none"> 1. Green indicates monitor is turned on. 2. Amber indicates Sleep mode. 3. Blinking amber indicates Sleep timer*.

ENCLOSURE FEATURES – 15RPP-ES

1. 15 Inch Touch / Non-Touch Screen Supplied
2. Pre-Drilled holes for ITX or Raspberry Pie mounting plate supplied
3. Socket mounting plate supplied
4. Fan mounting plate supplied
5. Rear cover supplied
6. Stylus holder supplied
7. Hard disk mounting plate supplied
8. Pendant holding clamp supplied
9. Panel mount supplied
10. Full panel overlay stickers supplied as .CDR file (Requires printing by buyer)
11. Handles x2 supplied
12. All standard fasteners supplied
13. No panel mounting components supplied
14. No wires supplied for internal wiring
15. No tools supplied for assembly
16. No power supply is supplied

EXAMPLE ASSEMBLED PANEL - FRONT



EXAMPLE ASSEMBLED PANEL - BACK



EXAMPLE ASSEMBLED PANEL – REAR INTERNAL



EXAMPLE ASSEMBLED PANEL – OTHER VIEWS



EXAMPLE ASSEMBLED PANEL – OTHER VIEWS



DISCLAIMER

MACH-MATE does not assume any liability for the materials, information and opinions provided on, or available through, this manual. No advice or information given by MACH-MATE or its employees shall create any warranty. Reliance on such advice, information or the content of this manual is solely at your own risk, including without limitation any safety guidelines, resources or precautions related to the installation, operation, maintenance or repair of MACH-MATE control panel enclosure or any other information related to safety that may be available on or through this manual. MACH-MATE disclaims any liability for injury, death or damages resulting from the use thereof.

MACH-MATE™

For more info
Email – sales@mach-mate.com

Designed by IPD DESK Ltd UK