



VERONICA VEST

#3102

JUST-PATTERNS.COM

SIZES 34 TO 46

34 36 38 40 42 44 46

KEY

Match marks
/ Repères



Center Back
/ Milieu Dos



Center Front
/ Milieu Devant



Buttonholes
/ Boutonnieres



Buttons
/ Boutons



Grainline
/ Droit Fil



Notches
/ Crans



SHARE YOUR MAKE

Tag us on Instagram:

@just_patterns

#VeronicaVest

#JustPatterns

#MadeWithJustPatterns

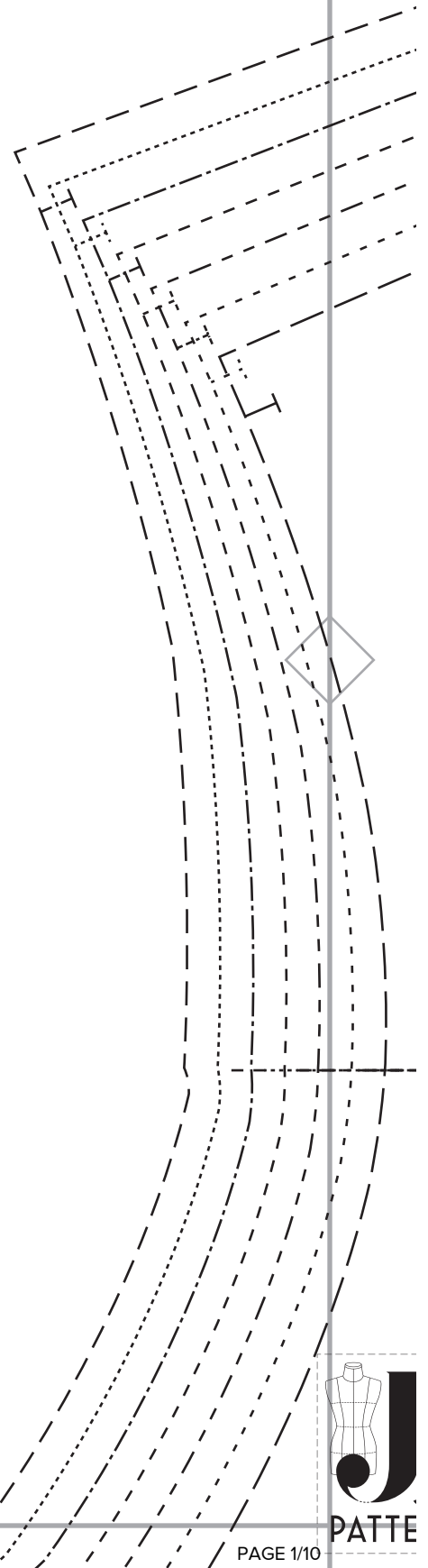
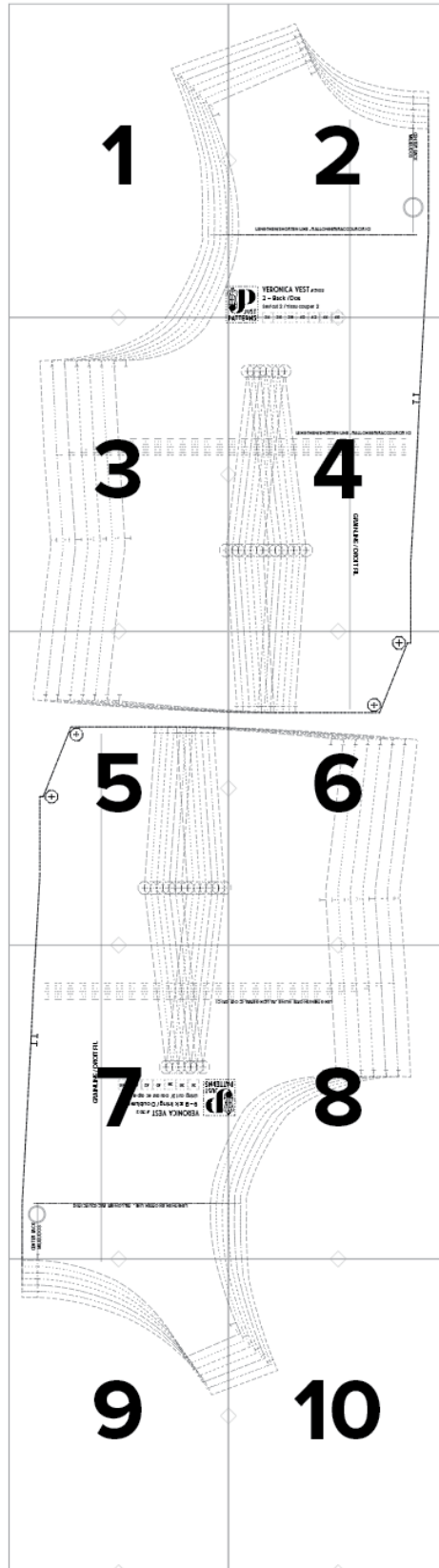
TEST YOUR PRINTING

RECTANGLE DE VERIFICATION

This box should measure

2" x 9" / 5cm x 22.8cm

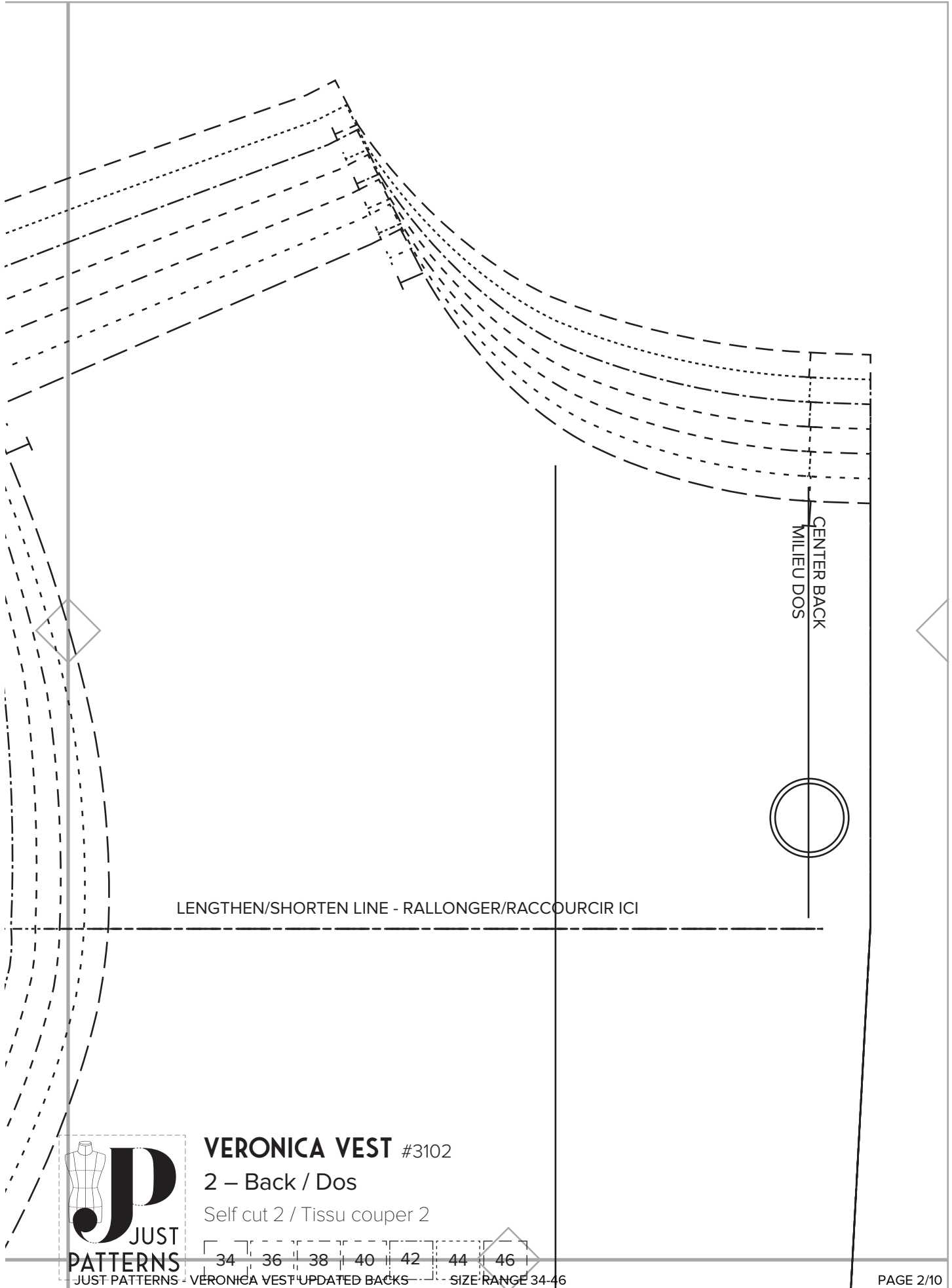
PRINT MAP



©2022 JUST PATTERNS
FOR PERSONAL USE ONLY /
USAGE PERSONNEL



PATTE



CENTER BACK
MILIEU DOS

LENGTHEN/SHORTEN LINE - RALLONGER/RACCOURCIR ICI

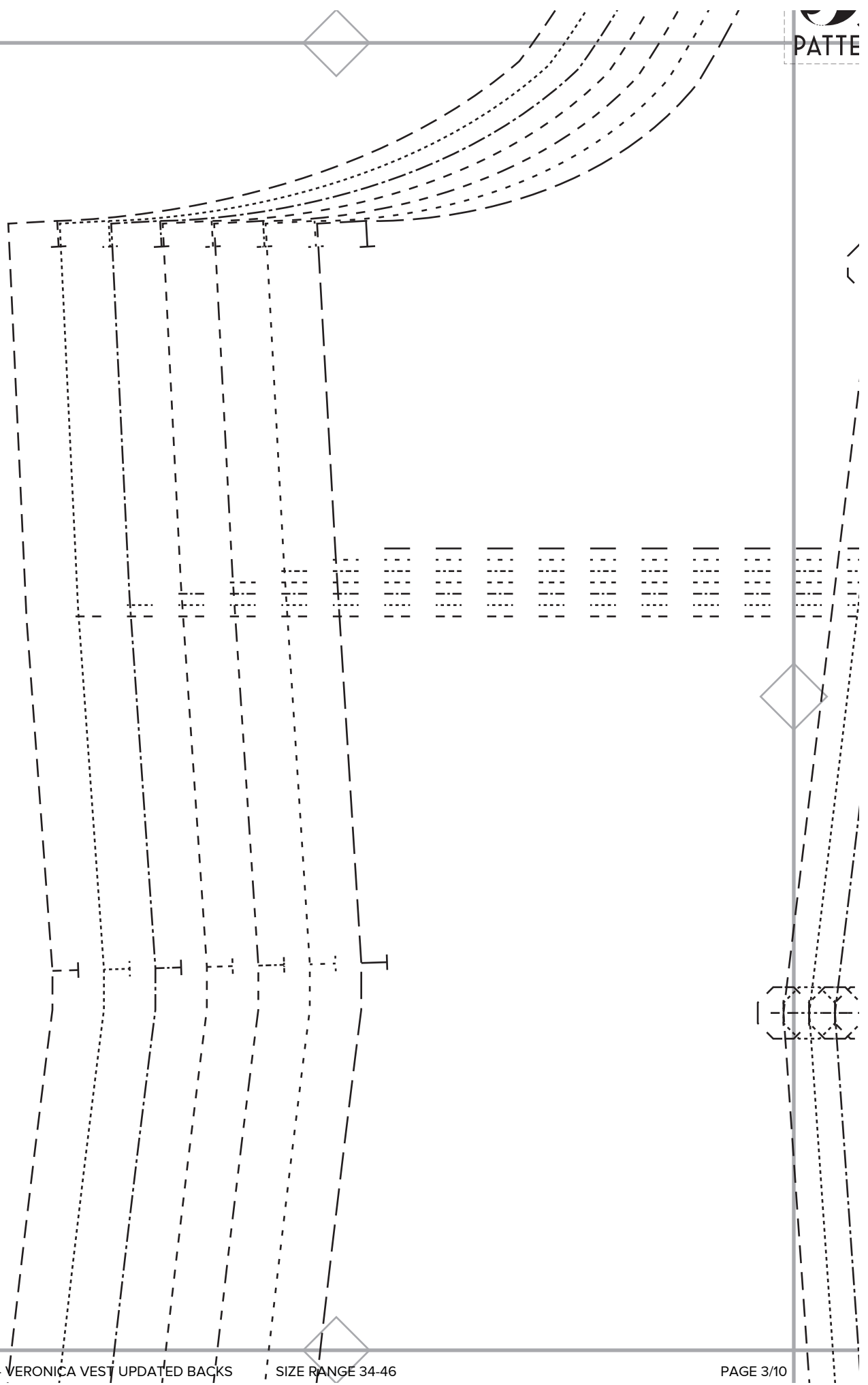


VERONICA VEST #3102

2 – Back / Dos

Self cut 2 / Tissu couper 2

34 36 38 40 42 44 46



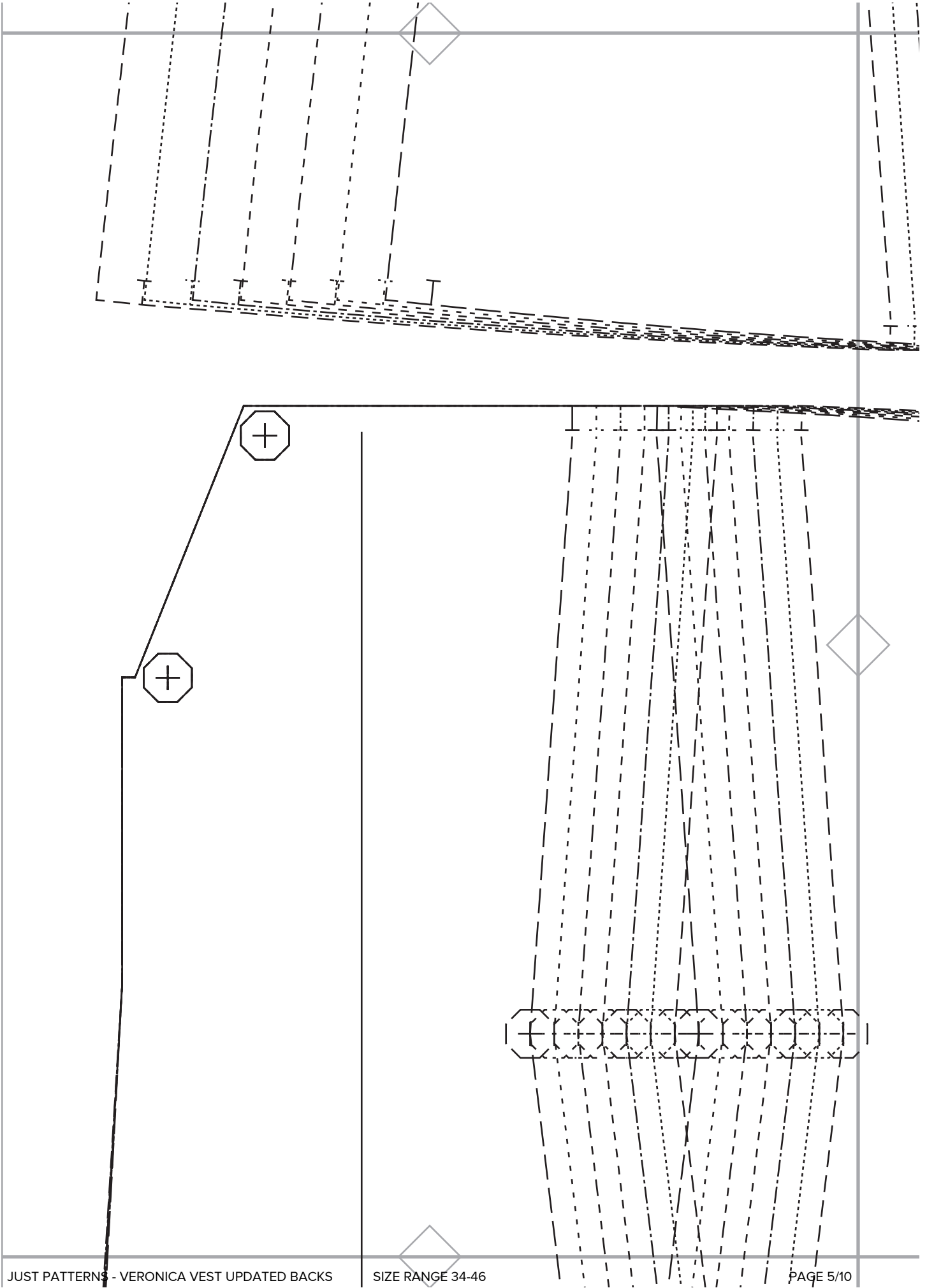


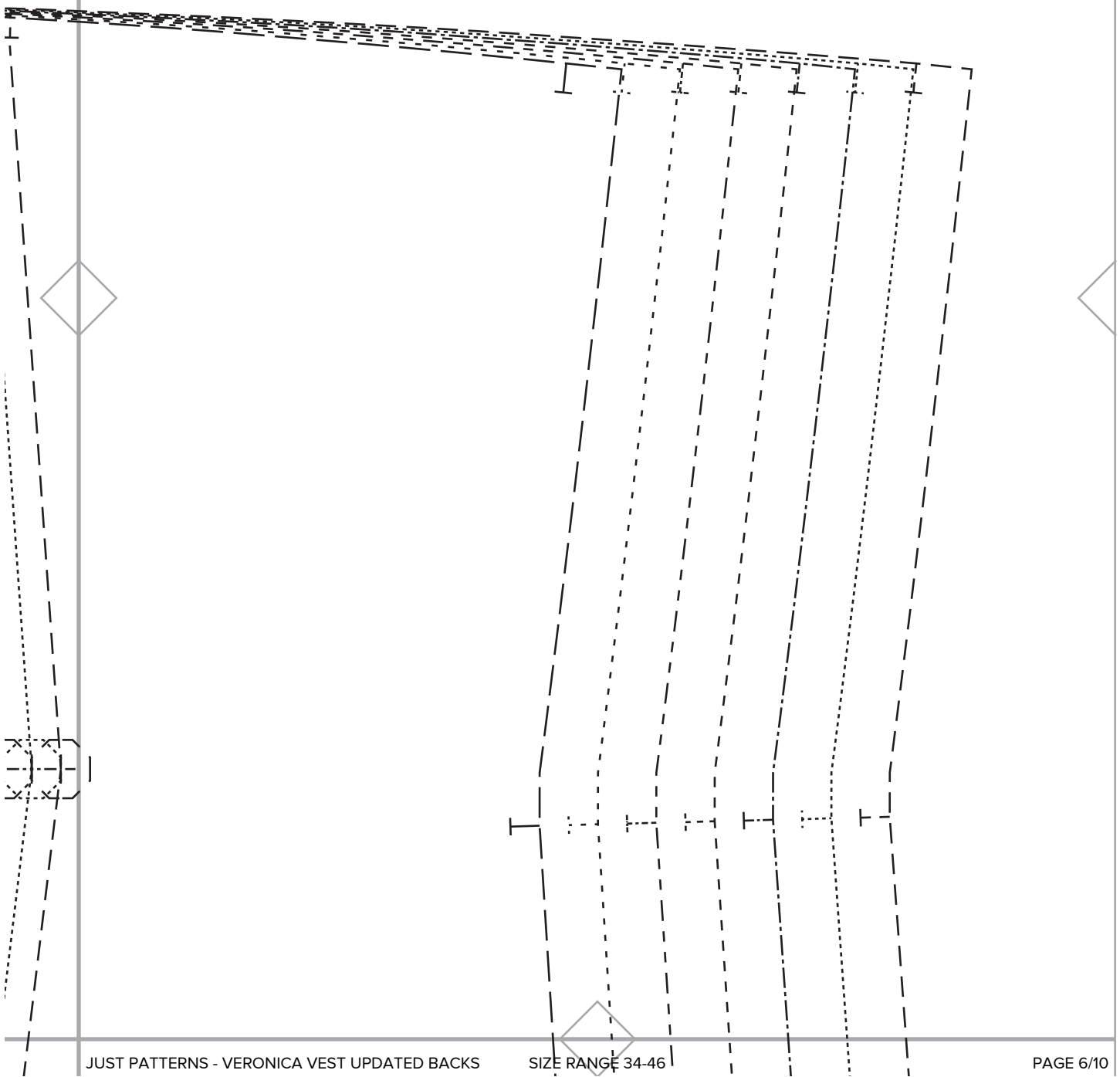
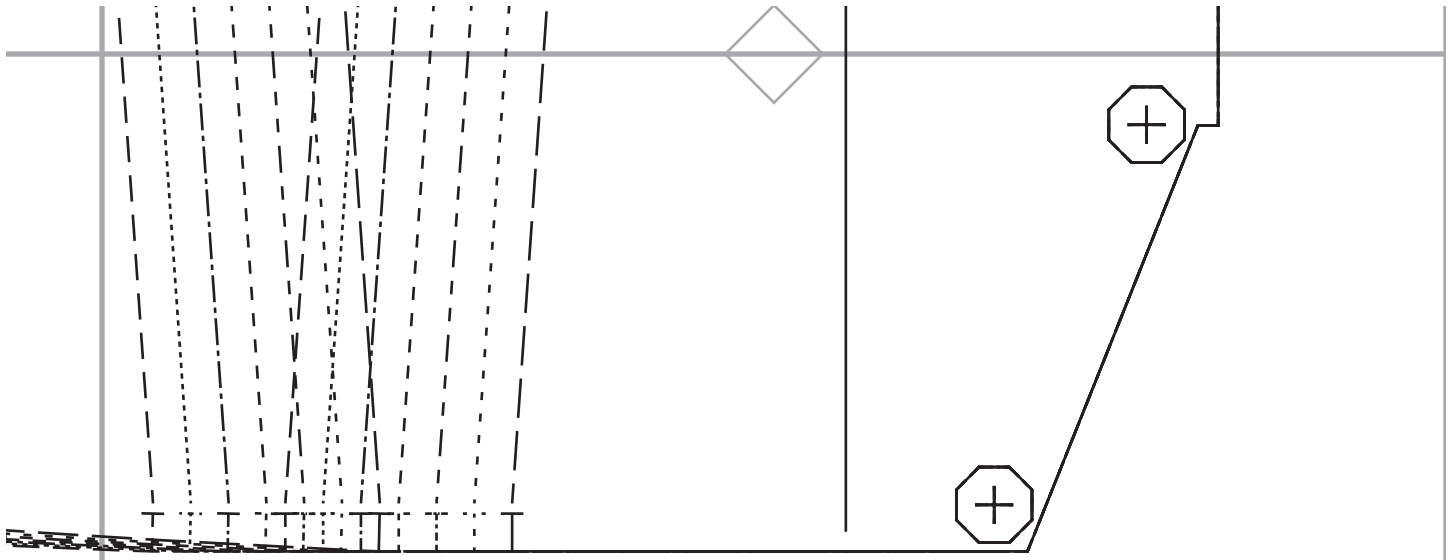
LENGTHEN/SHORTEN LINE - RALLONGER/RACCOURCIR ICI



GRAINLINE / DROIT FIL

TT





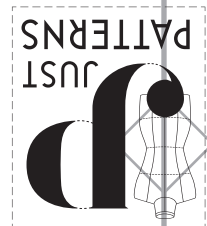


LENGTHEN/SHORTEN LINE - RALLONGER/RACCOURCIR ICI

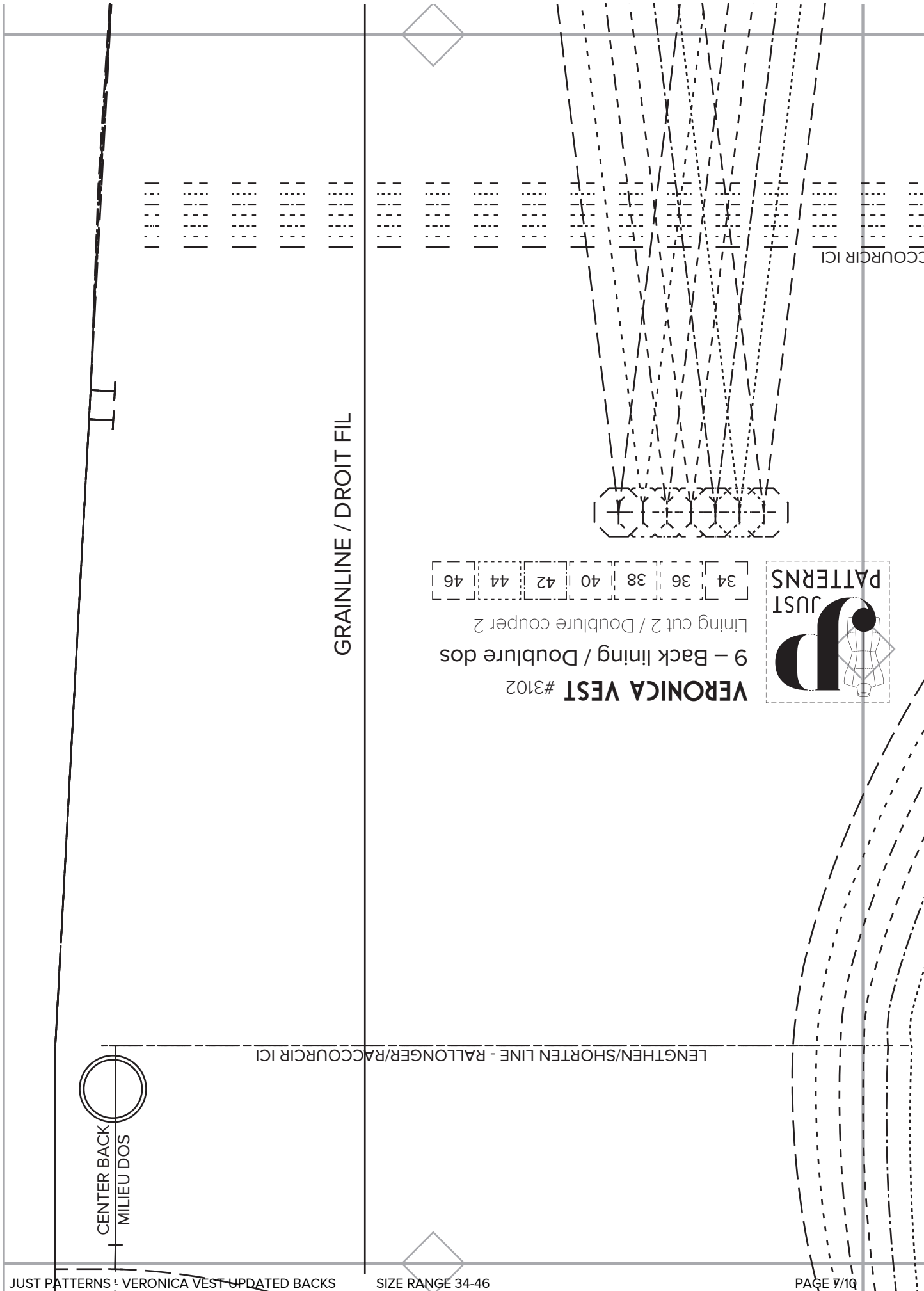
GRAINLINE / DROIT FIL

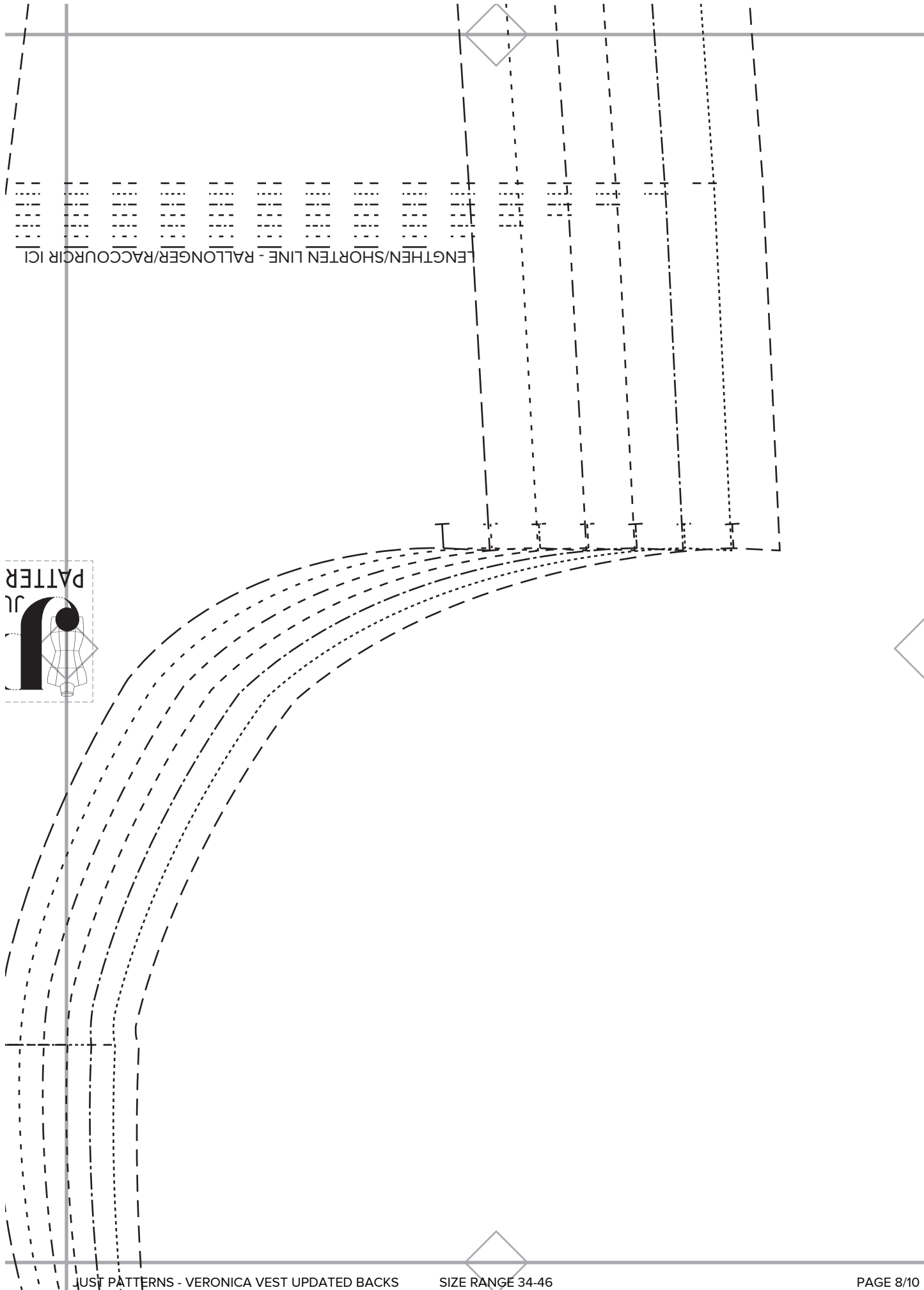
- 34
- 36
- 38
- 40
- 42
- 44
- 46

VERONICA VEST #3102
 9 – Back lining / Doublure dos
 Lining cut 2 / Doublure couper 2



RACCOURCIR ICI





LENGTHEN/SHORTEN LINE - RALLONGER/RACCOURCIR ICI



