

HOME
DECORATORS
COLLECTION

KITCHEN & BATH CABINETS

Semi Custom | Ships in 7-10 Business Days

METROPOLITAN
SERIES

High Gloss White with
High Gloss Metallic



SPECIFICATION GUIDE

Ships in 7-10 Days | Plywood Cabinetry | Soft Close Doors & Drawers
Factory Built in the USA | Limited Lifetime Warranty

For use with 20/20 catalogs: HMDEC_MT, HMDEC_M2

 HDCKitchens.com  866-373-9131

HDCKitchens.com



HomerDesignTools.com



Exclusively at



INTRODUCING 2 NEW PRODUCTS TO MAXIMIZE STORAGE & COUNTERTOP SPACE!

These two new products are available in both Midtown colors, shown below in the Grayson door style. These cabinets enable you to design even more beautiful and functional spaces.



Microwave Oven Base Cabinet

Designed to hold a microwave oven, providing you significantly more open countertop space. The Microwave Oven Base Cabinet comes with a matching interior and a fixed shelf designed for built-in microwaves with optional trim kits. Plus, with a large, deep, full extension drawer with soft close operation and the capacity to hold up to 90 pounds you maximize storage space. Available in 2 cabinet widths, 24" & 30" for easy placement in your kitchen layouts.

Details on Page 26



Easy Reach Corner Wall Cabinet

Designed to maximize storage space and keep everything within easy reach...with no unreachable back corner for items to slide into. Multiple shelves with adjustable height options allow for customized storage options. Available in two widths, 21" and 24" and three heights, 30", 36" and 42".

Details on Page 9

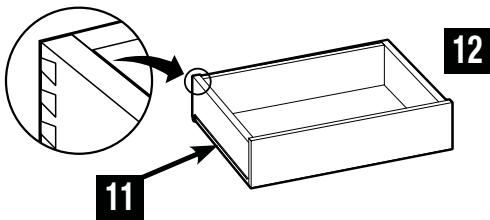
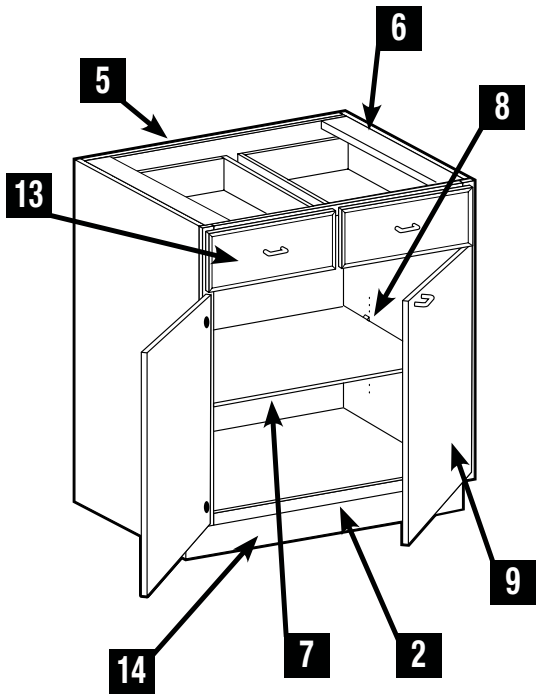
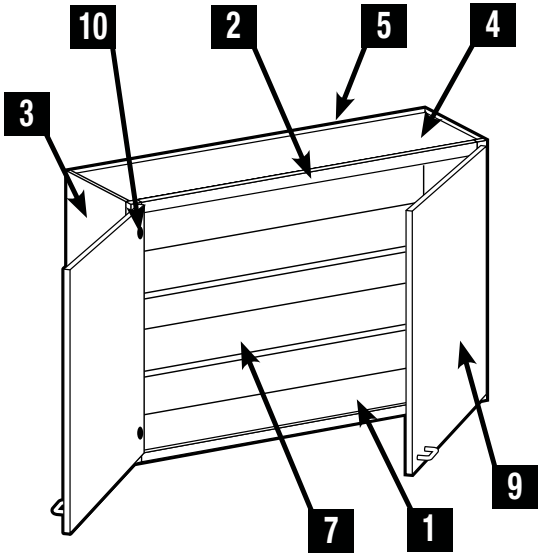
TABLE OF CONTENTS



Cabinet Construction.....	1
Door Styles.....	2
Customization Options	3
Style Tips	4
Wall Cabinets	5-15
Base Cabinets	16-31
Tall Cabinets	32-36
Vanity Cabinets.....	37-40
Accessories.....	41-47
Decorative Hardware	50-51
Cabinet Frame & Opening Dimensions	52-54
Decorative & Replacement Door and Drawer Fronts.....	55-57

PLEASE NOTE: Line drawings are artistic representations of products for general dimensioning purposes. These should not be relied upon for accurate product appearance. Please consult the website or a designer if you have any questions or specific design requirements.

STANDARD CABINET CONSTRUCTION

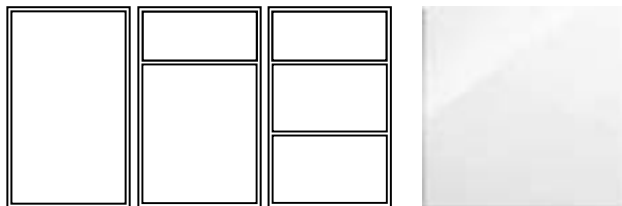


1	INTERIOR	Natural birch vinyl laminate provides a durable, wipe clean finish.
2	FACE FRAME	1½" wide x 3/4" thick solid hardwood pocket screwed.
3	END PANELS	1/2" thick CARB2 plywood, exterior vinyl laminate is color matched to the face frame.
4	FLOOR & CEILING	1/2" thick CARB2 plywood, both sides captured by end panels.
5	BACK PANELS	1/2" thick CARB2 plywood with natural birch vinyl laminate interior and raw exterior. The 'clipped' back panels on Wall Angle and Easy Reach Corner cabinets will be 1/4" plywood.
6	"I-BEAM" SUPPORTS	1/2" thick CARB2 plywood, full depth braces provide stability and support for countertop attachment.
7	ADJUSTABLE SHELVES	3/4" thick CARB2 plywood finished with natural birch vinyl laminate and matching edgebanding. Base and wall adjustable shelves are full depth. 75 lb. weight capacity
8	SHELF SUPPORTS	Clear, high strength plastic with locking top tab to prevent shelf tip. Provides easy shelf adjustment.
9	DOORS	Contemporary, full-overlay doors available in a durable melamine finish.
10	HINGES	Fully concealed 110° opening Soft Close hinges with 6-way adjustment for ease of alignment.
11	RUNNERS	Drawers and Roll-Out Trays feature smooth glide, full extension, soft close, under mounted runners that engage when 1" from closed. Runners are rated for 90 lb. dynamic loads.
12	DRAWERS & ROLL-OUT TRAYS	5/8" thick finger jointed hardwood four sided dovetail box construction, finished with a clear top coat and a 1/4" thick captured plywood floor. 90 lb. weight capacity
13	DRAWER FRONTS	Contemporary, full-overlay drawers available in a durable melamine finish. The top drawer front is 8" high & the bottom two drawer fronts are 10 1/2" high.
14	INTEGRAL TOE KICK	1/2" thick plywood secured between end panels. Provides solid backing for installation of Matching Toe Kick (MTK8) or other materials such as ceramic, vinyl, etc.



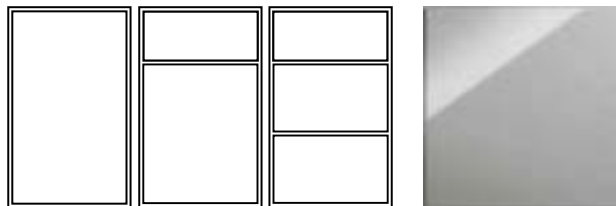
Flat Panel Door Styles

Midtown High Gloss White (MHW)



- 3/4" thick melamine faced MDF with scratch resistant high gloss lacquer finish
 - 2x as scratch resistant as thermofoil (PVC/PET)
 - 6x more scratch resistant than acrylic
- Full Overlay door style, on a solid hardwood face frame
- Edges sealed with color-matched PVC edge banding
- Doors are mounted on a white painted face frame
- 6-way adjustable, soft-close concealed hinges
- Decorative hardware required

Midtown High Gloss Metallic (MHM)



- 3/4" thick melamine faced MDF with scratch resistant high gloss lacquer finish
 - 2x as scratch resistant as thermofoil (PVC/PET)
 - 6x more scratch resistant than acrylic
- Full Overlay door style, on a solid hardwood face frame
- Edges sealed with color-matched PVC edge banding
- Doors are mounted on a gray painted face frame
- 6-way adjustable, soft-close concealed hinges
- Decorative hardware required

FACE FRAMES AND DOOR FINISHES

Our modern Metro cabinetry has the European look with traditional craftsmanship. The streamlined doors will come on a semi-custom built box with a face frame in one of two complimentary colors.



White Face Frame



Gray Face Frame

Photography is for illustration purposes. Actual colors may vary slightly due to the printing process. We recommend ordering a sample door to see the color and finish you like for yourself.

CUSTOMIZATION OPTIONS

FINISHED END OPTIONS



1. Cabinet box sides are manufactured to color match the cabinet's face frame.



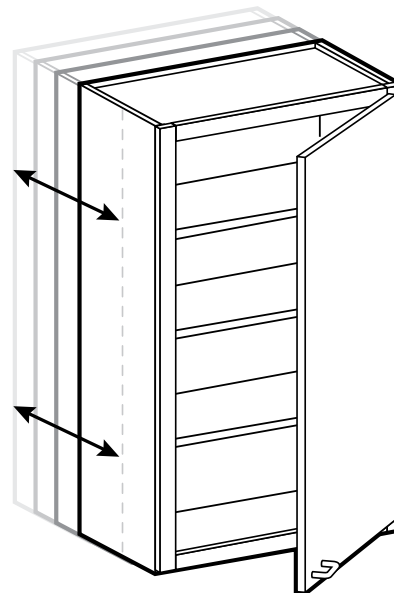
2. Cover Panels are 3/4" thick and will match the doors/drawers. Cover Panels are 1" wider and are designed to align flush with the front of the door/drawer and create the look of an inset doorstyle. They are available for base, wall, and tall cabinets and can be found on pages 48. Cover Panels must be ordered separately for field modification and installation.

CUSTOM DEPTH

- Available on standard cabinet types in 1" depth increments
- Base cabinets with drawers that are customized from 15" to 23" deep will include working drawers. 9" to 14" deep cabinets will have no drawer and a false drawer front.
- Vanity cabinets can be customized by selecting the standard base version. For example: select BD18 instead of a VBD1821 and customize the depth.
- Custom Depth changes need to be added to the cabinet before the order is placed. This can be done in your design program or in the shopping cart.

C Custom Depth

CABINET TYPE	CUSTOM DEPTH MIN-MAX
12" DEEP WALL	5" to 15"
24" DEEP WALL	16" to 23"
STANDARD BASE*	9" to 23"
BASE DRAWER*	15" to 23"
TALL UTILITY/LINEN	9" to 23"





The use of full height base cabinets and drawer stacks will help the kitchen to achieve the true metropolitan look. Use the full height cabinets as sink bases, cooktop bases and more!



Using cover panels on the sides, top and bottom of the wall cabinet and waterfall countertops on the base cabinets will create an inset door look in your new kitchen. Using horizontal hardware placement completes the look!



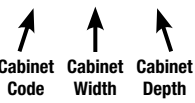
Give the kitchen a true metropolitan look by combining full height doors and drawer bases, versus standard drawer and door cabinets. Also simply installing the hardware horizontally on all cabinets can complete the look!

WALL CABINETS

WALL CABINET CODING

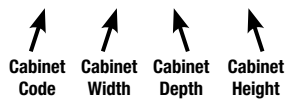
STANDARD (12" DEEP)

W 30 30



REFRIGERATOR (24" DEEP)

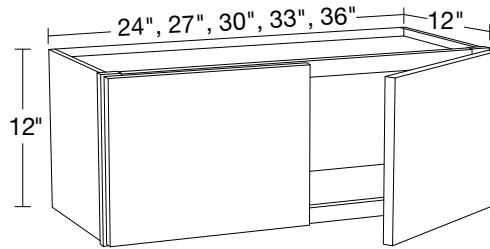
W 36 24 18



- All wall cabinets are 12" deep unless otherwise noted. Actual height of 24" high cabinets is 23½" overall. Refrigerator wall cabinets are 24" deep.
- Cabinet depth does not include door thickness
- Products are available in all door styles unless stated otherwise
- Standard cabinet exterior sides are color matched to face frame
- Soft close hinges unless stated otherwise

12" High Double Door

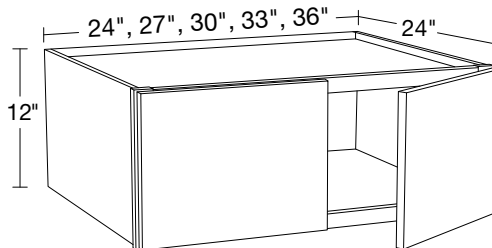
- No adjustable shelf
- CUSTOM DEPTH: 5" to 15" deep



W2412
W2712
W3012
W3312
W3612

12" High x 24" Deep Double Door

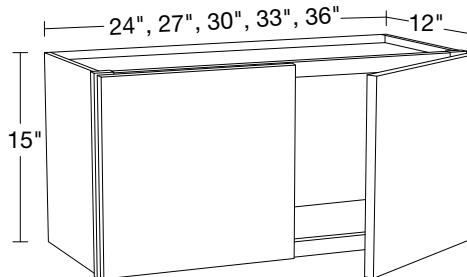
- No adjustable shelf
- Must be supported from back and both sides
- CUSTOM DEPTH: 16" to 23" deep



W242412
W272412
W302412
W332412
W362412

15" High Double Door

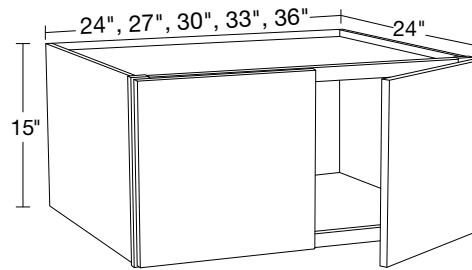
- No adjustable shelf
- CUSTOM DEPTH: 5" to 15" deep



W2415
W2715
W3015
W3315
W3615

15" High x 24" Deep Double Door

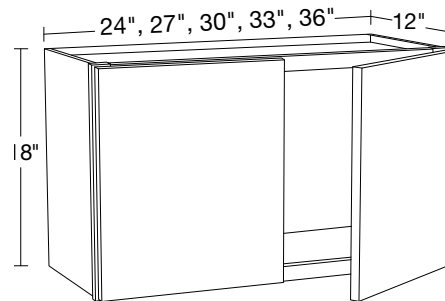
- No adjustable shelf
- Must be supported from back and both sides
- **CUSTOM DEPTH: 16" to 23" deep**



W242415
W272415
W302415
W332415
W362415

18" High Double Door

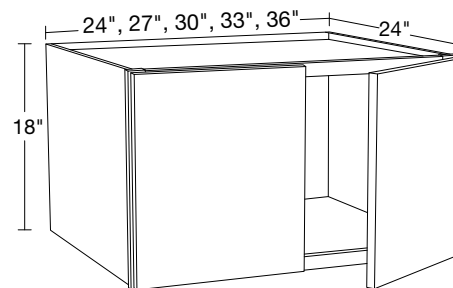
- No adjustable shelf
- **CUSTOM DEPTH: 5" to 15" deep**



W2418
W2718
W3018
W3318
W3618

18" High x 24" Deep Double Door

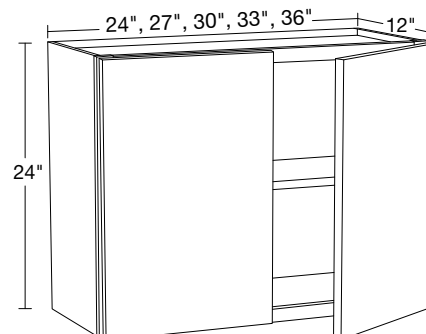
- No adjustable shelf
- Must be supported from back and both sides
- **CUSTOM DEPTH: 16" to 23" deep**



W242418
W272418
W302418
W332418
W362418

24" High Double Door

- One adjustable shelf
- **CUSTOM DEPTH: 5" to 15" deep**



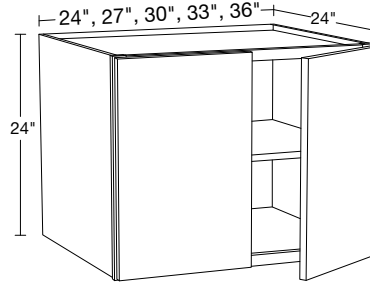
W2424
W2724
W3024
W3324
W3624

WALL CABINETS

24" High x 24" Deep Double Door

- One adjustable shelf
- Must be supported from back and both sides
- **CUSTOM DEPTH: 16" to 23" deep**

A C

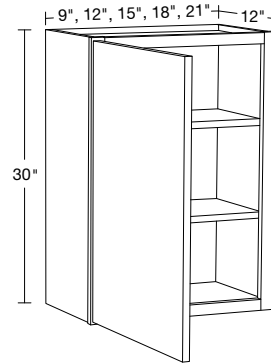


W242424
W272424
W302424
W332424
W362424

30" High Single Door

- Two adjustable shelves
- 9" Wide G-Door styles will not feature a raised center panel
- Specify Right or Left hinge, Left hinge shown
- **CUSTOM DEPTH: 5" to 15" deep**

A H C

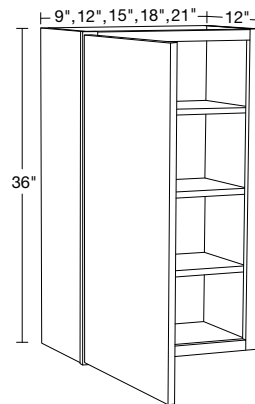


W0930
W1230
W1530
W1830
W2130

36" High Single Door

- Three adjustable shelves
- 9" Wide G-Door styles will not feature a raised center panel
- Specify Right or Left hinge, Left hinge shown
- **CUSTOM DEPTH: 5" to 15" deep**

A H C

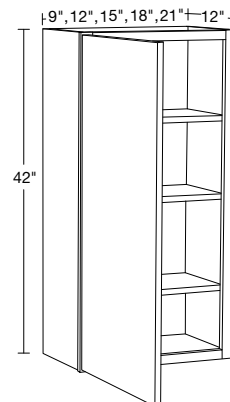


W0936
W1236
W1536
W1836
W2136

42" High Single Door

- Three adjustable shelves
- 9" Wide G-Door styles will not feature a raised center panel
- Specify Right or Left hinge, Left hinge shown
- **CUSTOM DEPTH: 5" to 15" deep**

A H C

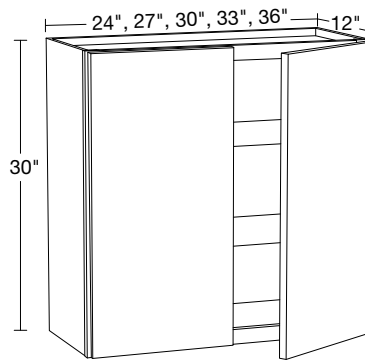


W0942
W1242
W1542
W1842
W2142

30" High Double Door

- Two adjustable shelves
- **CUSTOM DEPTH: 5" to 15" deep**

A C

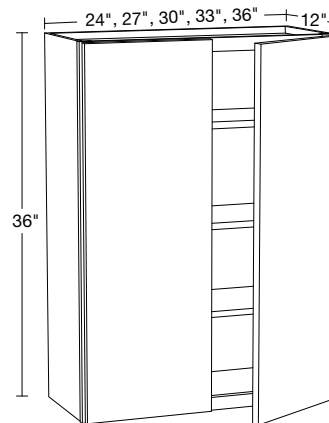


W2430
W2730
W3030
W3330
W3630

36" High Double Door

- Three adjustable shelves
- **CUSTOM DEPTH: 5" to 15" deep**

A C

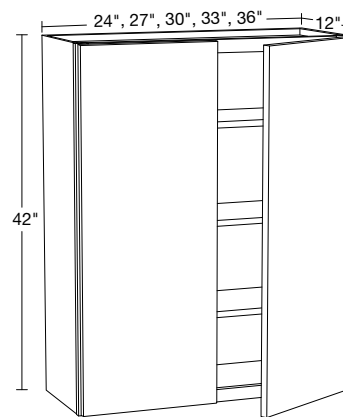


W2436
W2736
W3036
W3336
W3636

42" High Double Door

- Three adjustable shelves
- **CUSTOM DEPTH: 5" to 15" deep**

A C

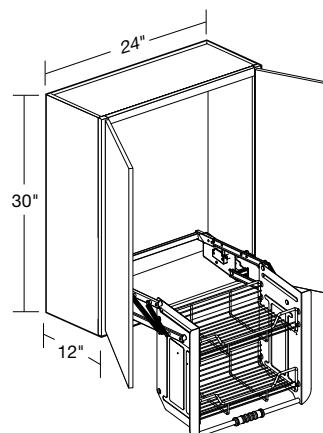


W2442
W2742
W3042
W3342
W3642

30" High Double Door with Pull Down Chrome Shelves

- **Field install at desired height in cabinet**
- Two tier chrome shelves lowers 10" and brings items forward 14¾"
- Gas assisted mechanism smoothly raises and lowers unit
- Locking arm feature holds shelf in down position
- No adjustable shelf

F



W2430-PDSCR

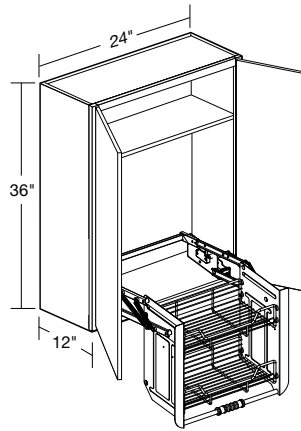
WALL CABINETS

36" High Double Door with Pull Down Chrome Shelves

W2436-PDSCR

- Field install at desired height in cabinet
- Two tier chrome shelves lowers 10" and brings items forward 14¾"
- Gas assisted mechanism smoothly raises and lowers unit
- Locking arm feature holds shelf in down position
- One adjustable shelf

F A

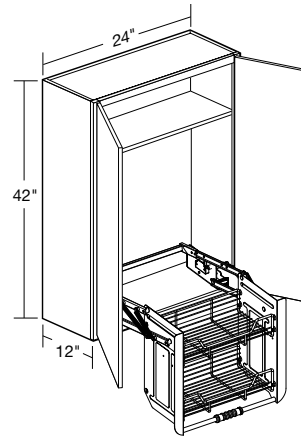


42" High Double Door with Pull Down Chrome Shelves

W2442-PDSCR

- Field install at desired height in cabinet
- Two tier chrome shelves lowers 10" and brings items forward 14¾"
- Gas assisted mechanism smoothly raises and lowers unit
- Locking arm feature holds shelf in down position
- One adjustable shelf

F A

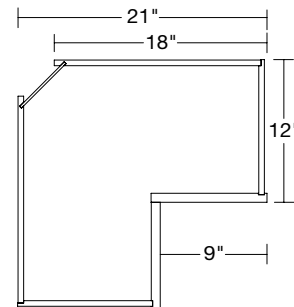
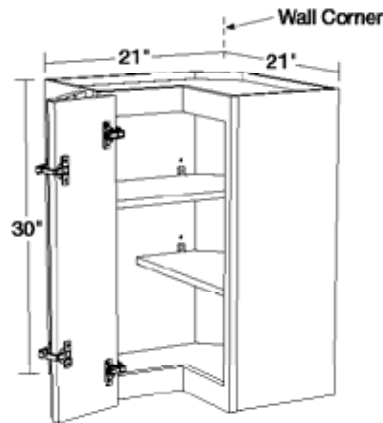


21" Wall EZ Reach

WEZR2130

- Two straight adjustable shelves
- Bi-fold style door allows full access to the entire cabinet interior
- Clip corner back is 1/4" plywood
- Specify Right or Left hinge, Left hinge shown

A H



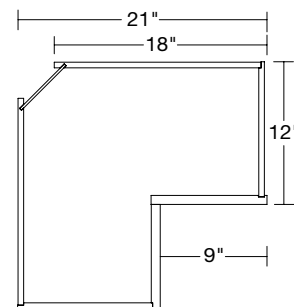
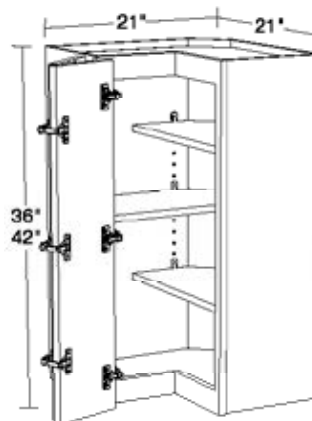
21" Wall EZ Reach

WEZR2136

WEZR2142

- Three straight adjustable shelves
- Bi-fold style door allows full access to the entire cabinet interior
- Clip corner back is 1/4" plywood
- Specify Right or Left hinge, Left hinge shown

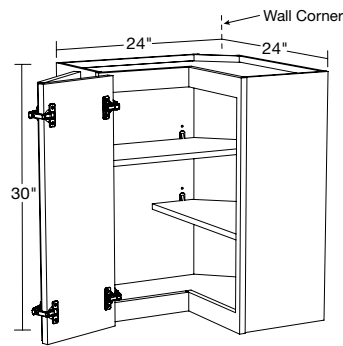
A H



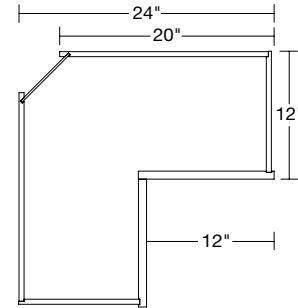
24" Wall EZ Reach

- Two straight adjustable shelves
- Bi-fold style door allows full access to the entire cabinet interior
- Clip corner back is 1/4" plywood
- Specify Right or Left hinge, Left hinge shown

A H



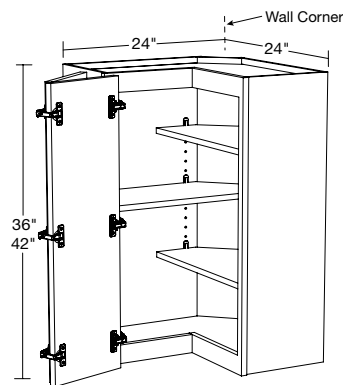
WEZR2430



24" Wall EZ Reach

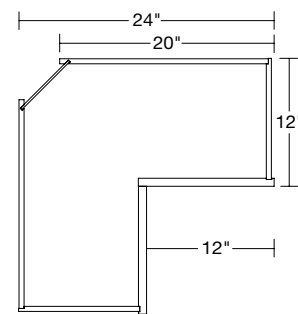
- Three straight adjustable shelves
- Bi-fold style door allows full access to the entire cabinet interior
- Clip corner back is 1/4" plywood
- Specify Right or Left hinge, Left hinge shown

A H



WEZR2436

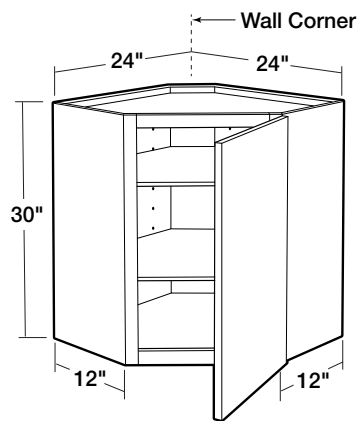
WEZR2442



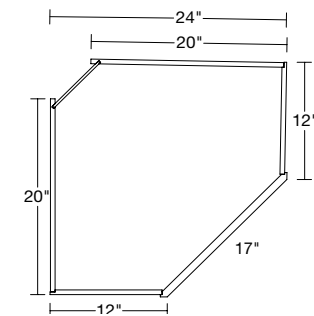
30" High Wall Angle

- Two adjustable shelves
- Clip corner back provides clearance for installation
- Clip corner back is 1/4" plywood
- Specify Right or Left hinge, Right hinge shown

A H



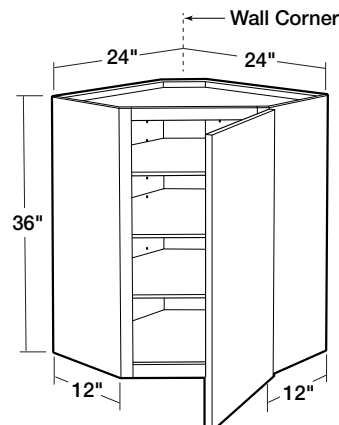
WA2430



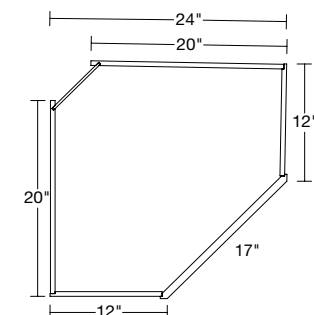
36" High Wall Angle

- Three adjustable shelves
- Clip corner back provides clearance for installation
- Clip corner back is 1/4" plywood
- Specify Right or Left hinge, Right hinge shown

A H



WA2436

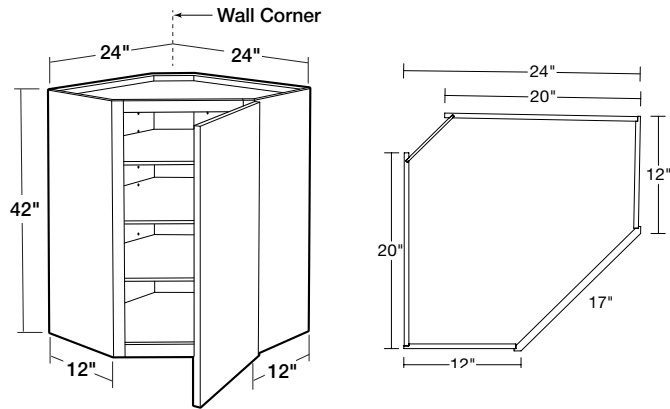


WALL CABINETS

42" High Wall Angle

- Three adjustable shelves
- Clip corner back provides clearance for installation
- Clip corner back is 1/4" plywood
- Specify Right or Left hinge, Right hinge shown

A H

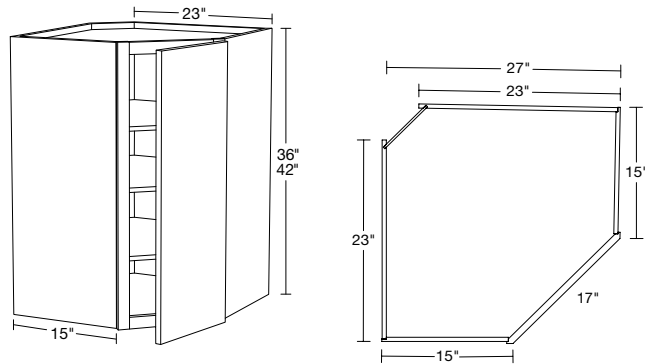


WA2442

36" and 42" High x 15" Deep Wall Angle

- Three adjustable shelves
- Clip corner back provides clearance for installation
- Clip corner back is 1/4" plywood
- Specify Right or Left hinge, Right hinge shown

A H

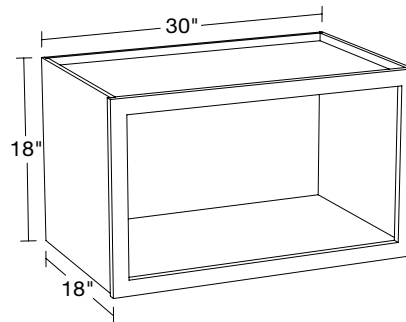


WA271536

WA271542

Wall Microwave Cabinet

- Matching interior and exterior sides standard
- Best installed between two cabinets or cabinet and wall if possible
- Cannot be installed against Wall Angle cabinet (WA) or Wall Blind Corner Unit (WBCU)

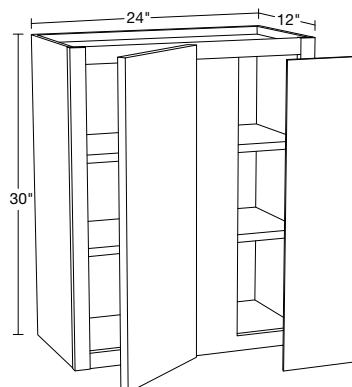


WMC301818ND

30" High Wall Blind Corner

- Two adjustable shelves
- Cabinet can be pulled for exact fit (see installation guide)
- 3" wide filler included
- 3 3/4" wide blind closure panel included - field installed
- Door width is 11-3/4"
- Specify Right or Left hinge, Right hinge shown
- Specify Right or Left blind, Right blind shown
- CUSTOM DEPTH: 5" to 15" deep

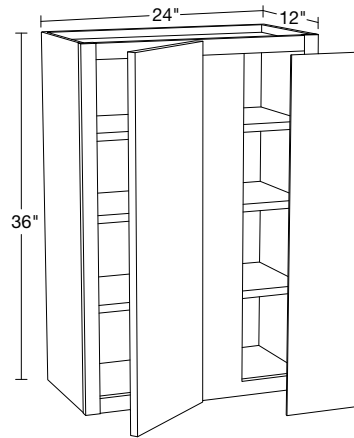
F A H C



WBCU2730

36" High Wall Blind Corner

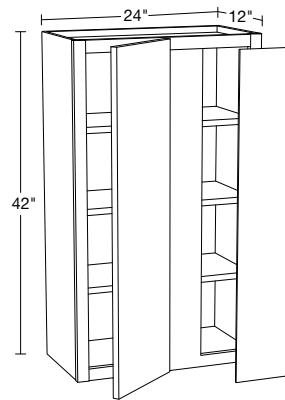
- Three adjustable shelves
- Cabinet can be pulled for exact fit (see installation guide)
- 3" wide filler included
- 3 3/4" wide blind closure panel included - field installed
- Door width is 11-3/4"
- Specify Right or Left hinge, Right hinge shown
- Specify Right or Left blind, Right blind shown
- CUSTOM DEPTH: 5" to 15" deep



WBCU2736

42" High Wall Blind Corner

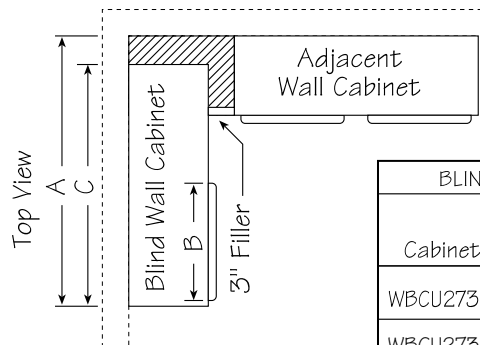
- Three adjustable shelves
- Cabinet can be pulled for exact fit (see installation guide)
- 3" wide filler included
- 3 3/4" wide blind closure panel included - field installed
- Door width is 11-3/4"
- Specify Right or Left hinge, Right hinge shown
- Specify Right or Left blind, Right blind shown
- CUSTOM DEPTH: 5" to 15" deep



WBCU2742

Blind Corner Installation Guide

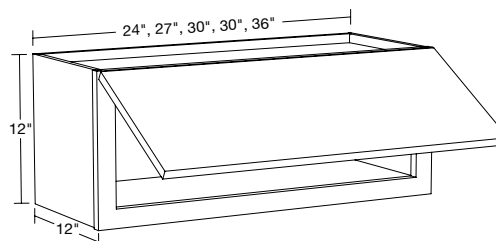
*Gray area represents empty space. Cabinet is designed to be pulled for exact space.



BLIND WALL INSTALLATION GUIDE				
	Wall Space "A"		Frame Opening	Cabinet
Cabinet	Min	Max	Width "B"	Width "C"
WBCU2730	25"	30"	8 7/8"	24"
WBCU2736	25"	30"	8 7/8"	24"
WBCU2742	25"	30"	8 7/8"	24"

12" High Uplift

- No adjustable shelf
- CUSTOM DEPTH: 5" to 15" deep



W2412UL

W2712UL

W3012UL

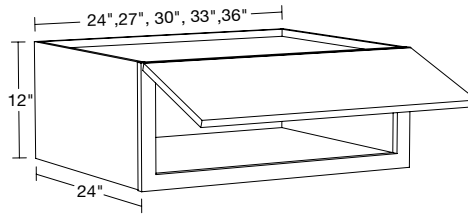
W3312UL

W3612UL

WALL CABINETS

12" High x 24" Deep Uplift

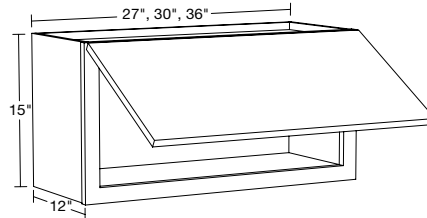
- No adjustable shelf
- Must be installed between two cabinets, cabinet and wall, or supported by CPVT's.
- CUSTOM DEPTH: 16" to 23" deep



W242412UL
W272412UL
W302412UL
W332412UL
W362412UL

15" High Uplift

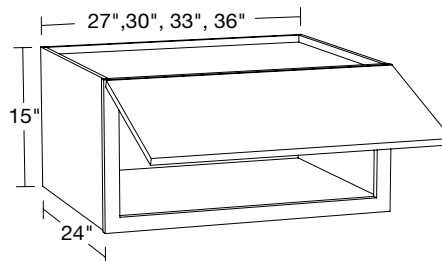
- No adjustable shelf
- CUSTOM DEPTH: 5" to 15" deep



W2715UL
W3015UL
W3615UL

15" High x 24" Deep Uplift

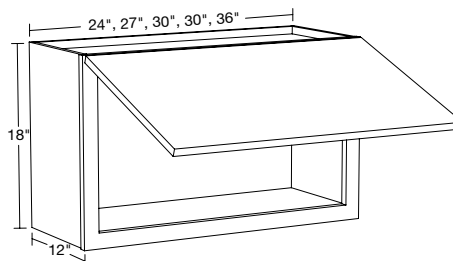
- No adjustable shelf
- Must be installed between two cabinets, cabinet and wall, or supported by CPVT's.
- CUSTOM DEPTH: 16" to 23" deep



W272415UL
W302415UL
W332415UL
W362415UL

18" High Uplift

- No adjustable shelf
- CUSTOM DEPTH: 5" to 15" deep

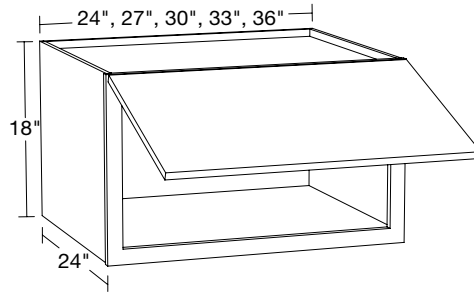


W2418UL
W2718UL
W3018UL
W3318UL
W3618UL

18" High x 24" Deep Uplift

- No adjustable shelf
- Must be installed between two cabinets, cabinet and wall, or supported by CPVT's
- CUSTOM DEPTH: 16" to 23" deep

C

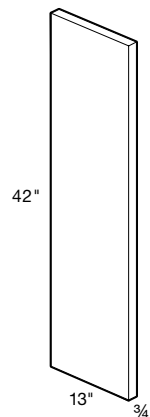


W242418UL
W272418UL
W302418UL
W332418UL
W362418UL

13" Wide Wall Cover Panels

- 3/4" thick
- Durable 2 sided melamine fused to Furniture Grade particleboard or MDF
- Cover Panels designed to match the finish of the doors
- Edgebanded on all 4 sides
- Field installed
- -Panel designed for Left or Right application and to align with front of door face to create inset door appearance
- NOTE: Must be field modified if using with reduced depth cabinets

F

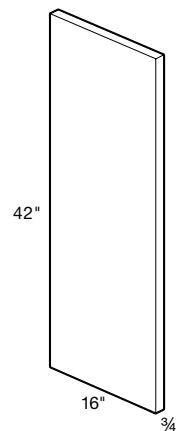


CPVW1342

16" Wide Wall Cover Panels

- 3/4" thick
- Durable 2 sided melamine fused to Furniture Grade particleboard or MDF
- Cover Panels designed to match the finish of the doors
- Edgebanded on all 4 sides
- Field installed
- -Panel designed for Left or Right application and to align with front of door face to create inset door appearance
- NOTE: Must be field modified if using with reduced depth cabinets

F



CPVW1642

WALL CABINETS

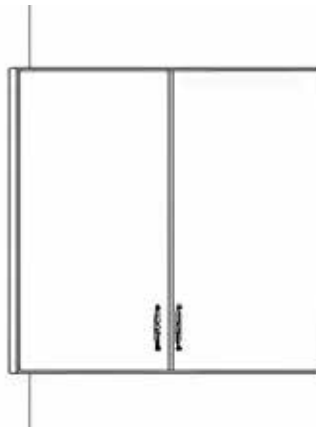
Designing with panels verses skins

When designing with panels verses skins in the kitchen, you must allow for an extra $\frac{3}{4}$ " space for each panel. The panels will give the sides of the cabinets the same look/color as the cabinet doors and drawers. When using the panels in the upper run of cabinetry around a microwave or sink, you will also need to balance out the bottom with either panels or fillers so everything stays centered.



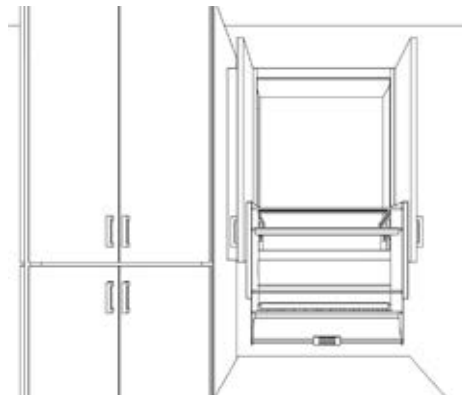
Placing wall cabinets next to a return wall

When placing cabinets against a side wall, use a minimum of $\frac{3}{4}$ " filler between wall and cabinet to allow doors to open



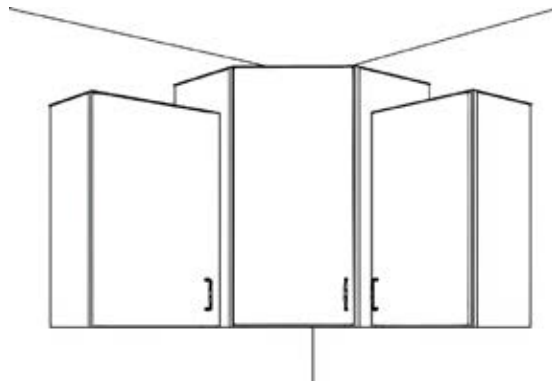
Using the Wall Cabinet with accessories

Make sure to allow proper clearance on each side so doors can open 90 degrees or more. This will allow the interior accessory to pull down correctly.

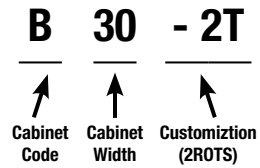


Staggering Upper Cabinets

When using the WA271536/42 corner cabinets, make sure to place a $\frac{3}{4}$ " filler next to adjacent cabinet if the adjacent cabinet is shallower.



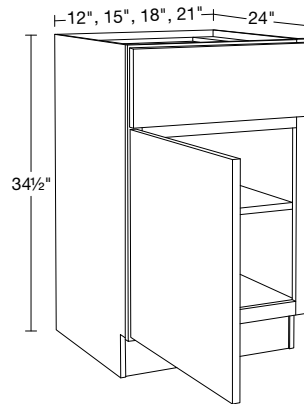
BASE CABINET CODING



- Standard Base Cabinets are 24" deep and 34½" high
- Desk Height base cabinets are 21" deep and 28½" high
- Cabinet depth does not include door thickness
- Products are available in all door styles unless stated otherwise
- Standard cabinet exterior sides are color matched to face frame
- Base cabinets are shipped with an unfinished toekick. Finished toekicks must be ordered separately and field installed.
- **Soft close hinges & full extension drawers with soft close unless otherwise stated.**

24" Deep Single Door

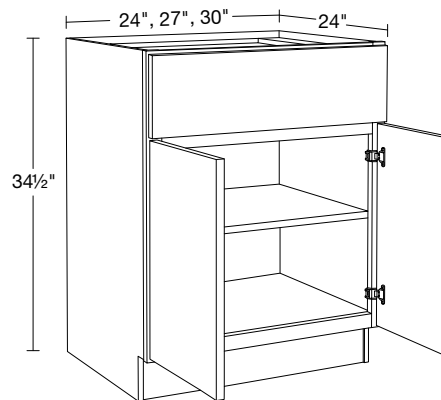
- One full-depth adjustable shelf
- CUSTOM DEPTH: 9" to 23" deep (9" to 14" deep options have false front & no drawer)
- Specify Right or Left hinge, Left hinge shown



B12
B15
B18
B21

24" Deep Double Door

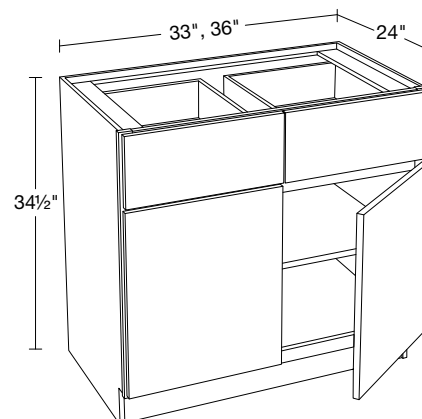
- One full-depth adjustable shelf
- CUSTOM DEPTH: 9" to 23" deep (9" to 14" deep options have false front & no drawer)



B24
B27
B30

24" Deep Double Door

- One full-depth adjustable shelf
- CUSTOM DEPTH: 9" to 23" deep (9" to 14" deep options have false front & no drawer)



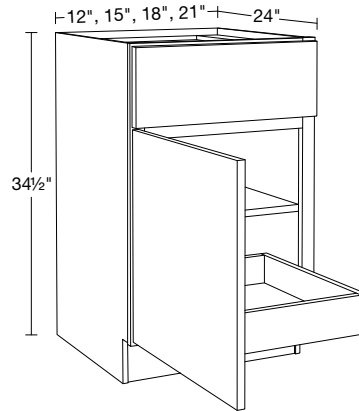
B33
B36

BASE CABINETS

24" Deep Single Door with 1 Roll-Out Tray

- One full-depth adjustable shelf
- One full width, full extension, soft close roll-out tray
- Roll-out trays are not adjustable
- Specify Right or Left hinge, Left hinge shown

A H

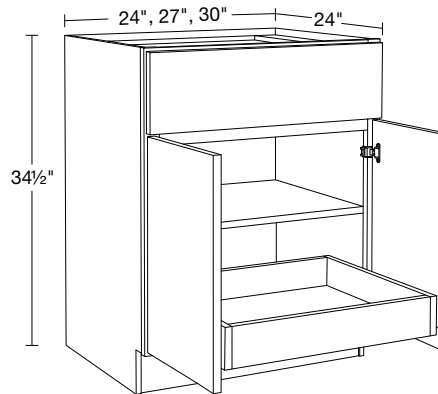


B12-1T
B15-1T
B18-1T
B21-1T

24" Deep Double Door with 1 Roll-Out Tray

- One full-depth adjustable shelf
- One full width, full extension, soft close roll-out tray
- Roll-out trays are not adjustable

A

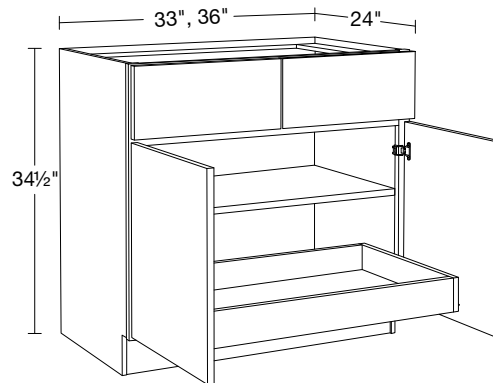


B24-1T
B27-1T
B30-1T

24" Deep Double Door with 1 Roll-Out Tray

- One full-depth adjustable shelf
- One full width, full extension, soft close roll-out tray
- Roll-out trays are not adjustable

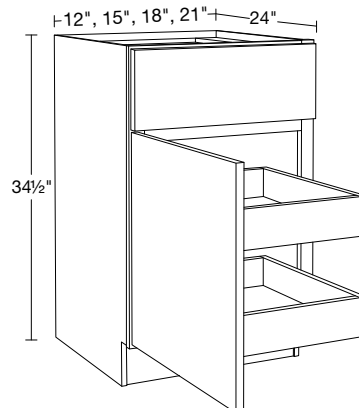
A



B33-1T
B36-1T

24" Deep Single Door with 2 Roll-Out Tray

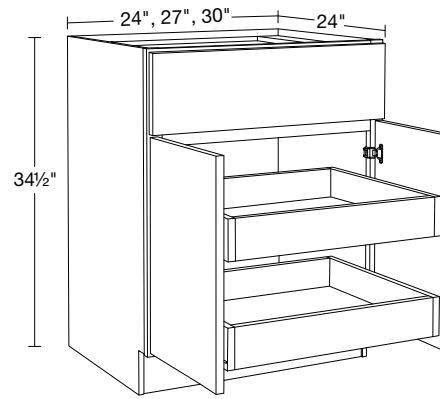
- Two full width, full extension, soft close roll-out tray
- Roll-out trays are not adjustable



B12-2T
B15-2T
B18-2T
B21-2T

24" Deep Double Door with 2 Roll-Out Tray

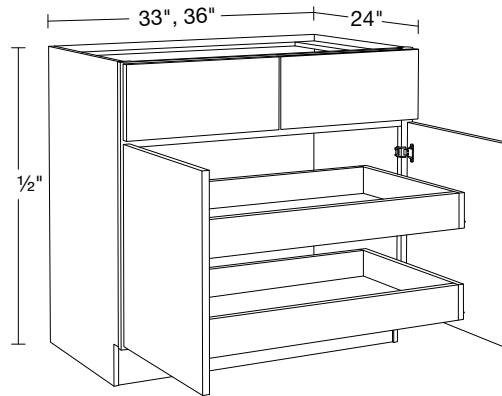
- Two full width, full extension, soft close roll-out trays
- Roll-out trays are not adjustable



B24-2T
B27-2T
B30-2T

24" Deep Double Door with 2 Roll-Out Tray

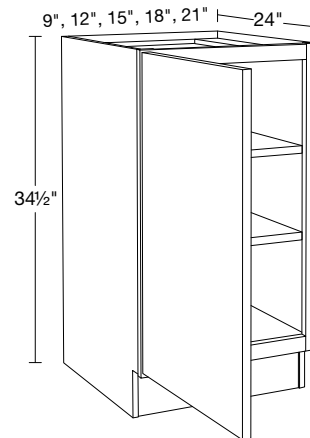
- Two full width, full extension, soft close roll-out trays
- Roll-out trays are not adjustable



B33-2T
B36-2T

24" Deep Single Full Height Door

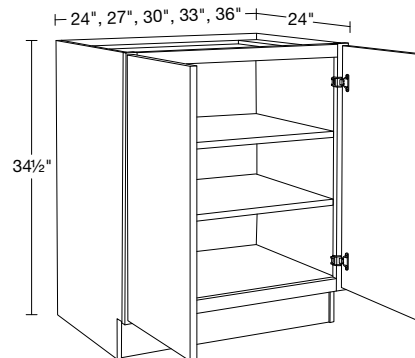
- Two full-depth adjustable shelves
- 9" Wide G-Door styles will not feature a raised center panel
- CUSTOM DEPTH: 9" to 23" deep
- Specify Right or Left hinge, Left hinge shown



B09FH
B12FH
B15FH
B18FH
B21FH

24" Deep Double Full Height Door

- Two full-depth adjustable shelves
- CUSTOM DEPTH: 9" to 23" deep



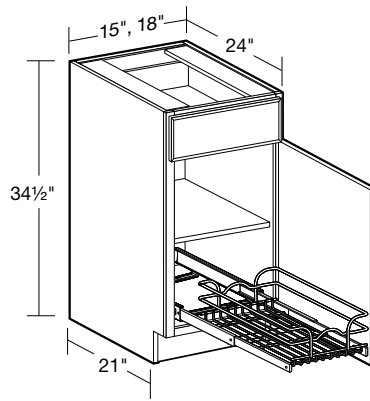
B24FH
B27FH
B30FH
B33FH
B36FH

BASE CABINETS

24" Deep Single Door with 1 Chrome Roll-Out Tray

- Field installed
- One full width chrome wire roll-out tray
- 100 lb rated full-extension, ball bearing slides (not soft close)
- Floor mounting, not adjustable
- One full depth adjustable shelf
- Specify Right or Left hinge, Right hinge shown

F A H

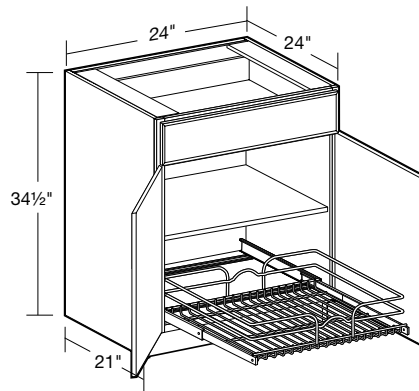


B15-1WT
B18-1WT

24" Deep Double Door with 1 Chrome Roll-Out Tray

- Field installed
- One full width chrome wire roll-out tray
- 100 lb rated full-extension, ball bearing slides (not soft close)
- Floor mounting, not adjustable
- One full depth adjustable shelf

F A

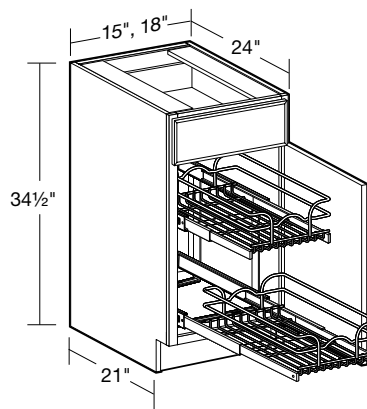


B24-1WT

24" Deep Single Door with 2 Chrome Roll-Out Trays

- Field installed
- Two full width chrome wire roll-out trays
- 100lb rated full-extension, ball bearing slides (not soft close)
- (3) adjustable heights
- Floor, side, and rear mounted
- Specify Right or Left hinge, Right hinge shown

F H

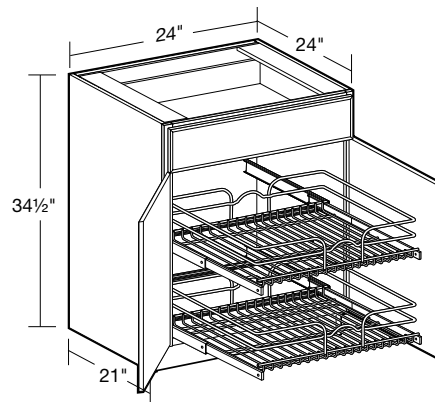


B15-2WT
B18-2WT

24" Deep Double Door with 2 Chrome Roll-Out Trays

- Field installed
- Two full width chrome wire roll-out trays
- 100lb rated full-extension, ball bearing slides (not soft close)
- (3) adjustable heights
- Floor, side, and rear mounted

F

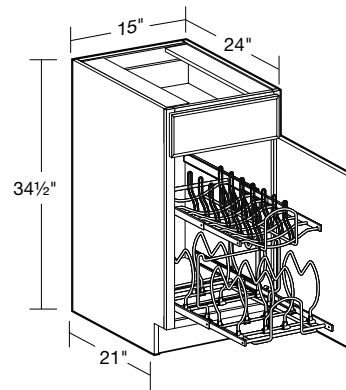


B24-2WT

24" Deep Single Door with 2-Tier Cookware Organizer

B15-CWO

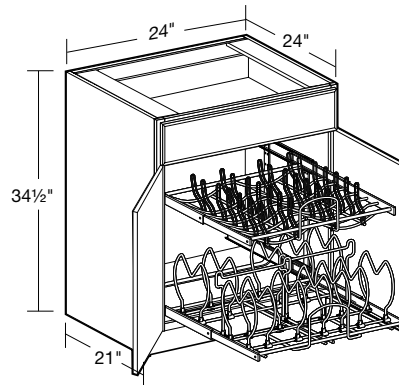
- Field installed
- Two chrome wire tiers operate independently
- Adjustable dividers on bottom tier accommodate different size pots and pans
- Floor, side, and rear mounted
- 100lb rated full-extension soft close ball-bearing slides
- Specify Right or Left hinge, Right hinge shown



24" Deep Double Door with 2-Tier Cookware Organizer

B24-CWO

- Field installed
- Two chrome wire tiers operate independently
- Adjustable dividers on bottom tier accommodate different size pots and pans
- Floor, side, and rear mounted
- 100lb rated full-extension soft close ball-bearing slides

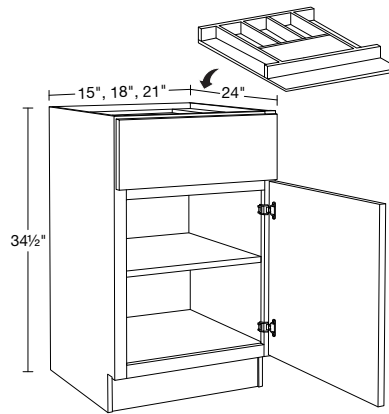


BASE CABINETS

24" Deep Single Door with Cutlery Tray

- One full-depth adjustable shelf
- Solid hardwood drawer insert
- 6 compartments 10"-14" deep (B15, B18)
- 8 compartments 10"-14" deep (B21)
- One full width front utensil compartment
- Specify Right or Left hinge, Right hinge shown

A H

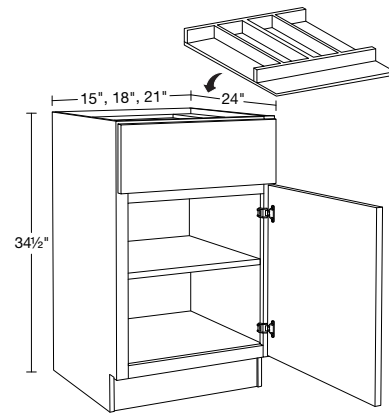


B15-CT
B18-CT
B21-CT

24" Deep Single Door with Utensil Tray

- One full-depth adjustable shelf
- Solid hardwood drawer insert
- 2 additional compartments 16" deep (B15)
- 4 additional compartments 16" deep (B18)
- 5 additional compartments 16" deep (B21)
- One full width front utensil compartment
- Specify Right or Left hinge, Right hinge shown

A H

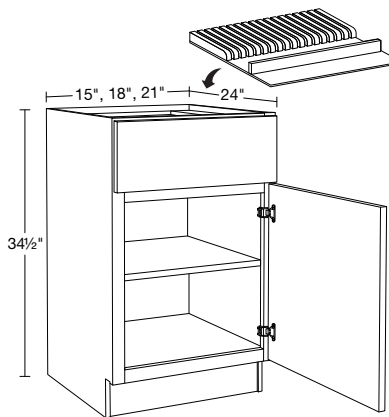


B15-UT
B18-UT
B21-UT

24" Deep Single Door with Knife Block

- One full-depth adjustable shelf
- Solid hardwood drawer insert
- 10 knife slots + utensil compartment (B15)
- 13 knife slots + utensil compartment (B18)
- 16 knife slots + utensil compartment (B21)
- One full width front utensil compartment
- Specify Right or Left hinge, Right hinge shown

A H

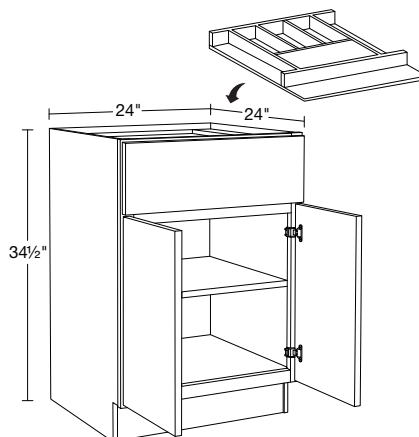


B15-KB
B18-KB
B21-KB

24" Deep Double Door with Cutlery Tray

- One full-depth adjustable shelf
- Solid hardwood drawer insert
- 8 compartments 10"-14" deep (B24)
- One full width front utensil compartment

A



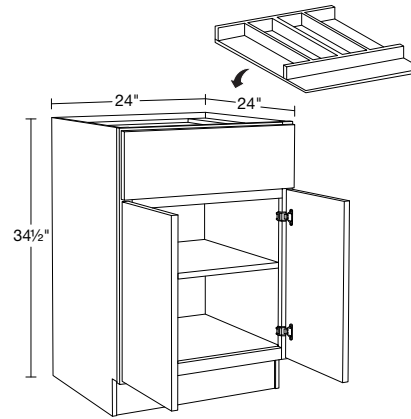
B24-CT

24" Deep Single Door with Utensil Tray

- One full-depth adjustable shelf
- Solid hardwood drawer insert
- 5 additional compartments 16" deep (B24)
- One full width front utensil compartment

B24-UT

A



24" Deep Single Door with Spice Tray

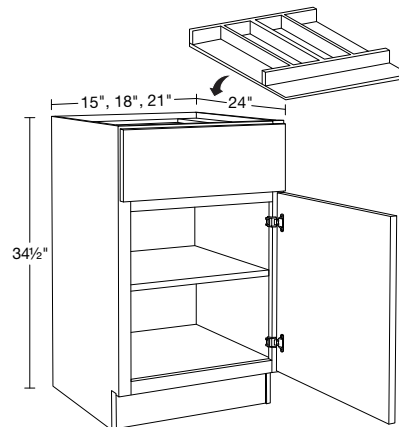
- One full-depth adjustable shelf
- Solid hardwood drawer insert
- Three 5" high angled tiers
- Rear 4" deep compartment
- Specify Right or Left hinge, Right hinge shown

B15-ST

B18-ST

B21-ST

A H



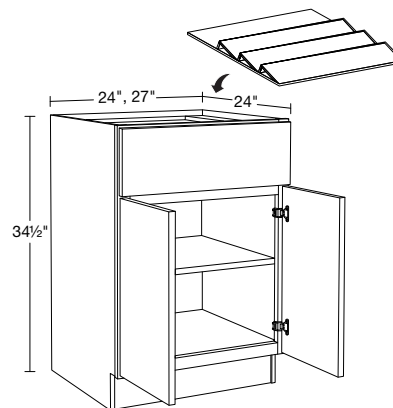
24" Deep Double Door with Spice Tray

- One full-depth adjustable shelf
- Solid hardwood drawer insert
- Three 5" high angled tiers
- Rear 4" deep compartment

B24-ST

B27-ST

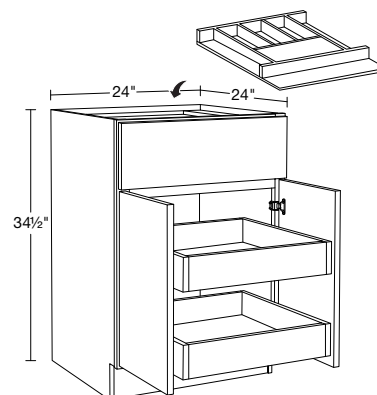
A



24" Deep Double Door with 2 Roll-Out Trays and Cutlery Tray

- Two full width, full extension, soft close roll-out trays
- Solid hardwood drawer insert
- 8 compartments 10"-14" deep (B24)
- One full width front utensil compartment
- Roll-out trays are not adjustable

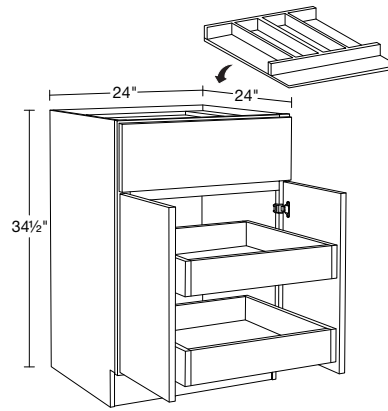
B24-2T-CT



BASE CABINETS

24" Deep Double Door with 2 Roll-Out Trays and Utensil Tray

- Two full width, full extension, soft close roll-out trays
- Solid hardwood drawer insert
- 5 additional compartments 16" deep (B24)
- One full width front utensil compartment
- Roll-out trays are not adjustable

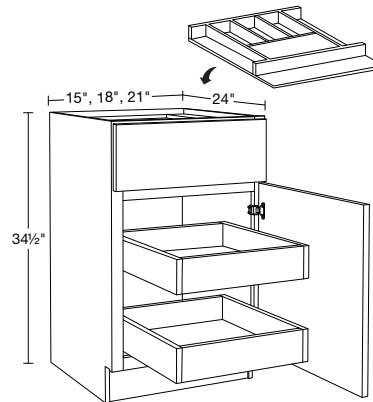


B24-2T-UT

24" Deep Single Door with 2 Roll-Out Trays and Cutlery Tray

- Two full width, full extension, soft close roll-out trays
- Solid hardwood drawer insert
- 6 compartments 10"-14" deep (B15, B18)
- 8 compartments 10"-14" deep (B21)
- Roll-out trays are not adjustable
- Specify Right or Left hinge, Right hinge shown

H



B15-2T-CT

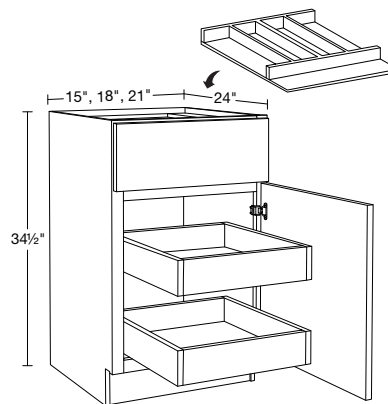
B18-2T-CT

B21-2T-CT

24" Deep Single Door with 2 Roll-Out Trays and Utensil Tray

- Two full width, full extension, soft close roll-out trays
- Solid hardwood drawer insert
- 2 additional compartments 16" deep (B15)
- 4 additional compartments 16" deep (B18)
- 5 additional compartments 16" deep (B21)
- One full width front utensil compartment
- Roll-out trays are not adjustable
- Specify Right or Left hinge, Right hinge shown

H



B15-2T-UT

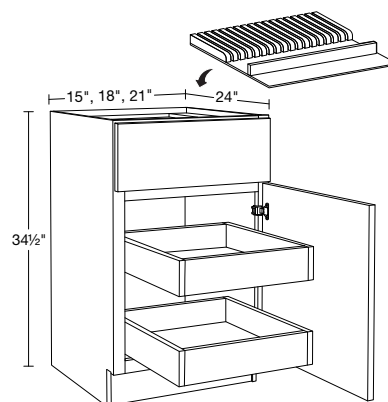
B18-2T-UT

B21-2T-UT

24" Deep Single Door with 2 Roll-Out Trays and Knife Block

- Two full width, full extension, soft close roll-out trays
- Solid hardwood drawer insert
- 10 knife slots + utensil compartment (B15)
- 13 knife slots + utensil compartment (B18)
- 16 knife slots + utensil compartment (B21)
- One full width front utensil compartment
- Roll-out trays are not adjustable
- Specify Right or Left hinge, Right hinge shown

H



B15-2T-KB

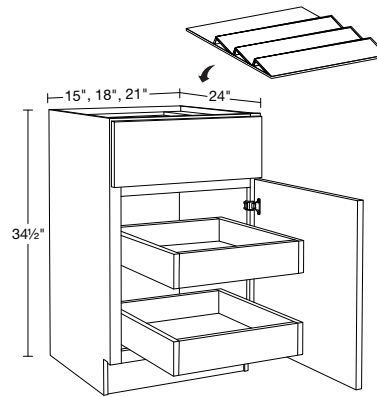
B18-2T-KB

B21-2T-KB

24" Deep Single Door with 2 Roll-Out Trays and Spice Tray

- Two full width, full extension, soft close roll-out trays
- Solid hardwood drawer insert
- Three 5" high angled tiers
- Rear 4" deep compartment
- Roll-out trays are not adjustable
- Specify Right or Left hinge, Right hinge shown

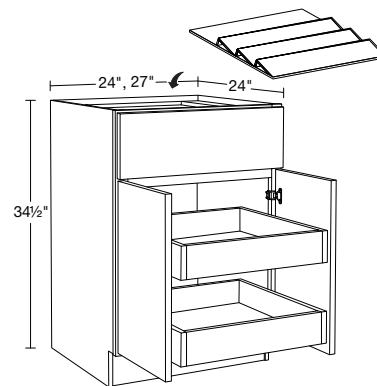
H



B15-2T-ST
B18-2T-ST
B21-2T-ST

24" Deep Double Door with 2 Roll-Out Trays and Spice Tray

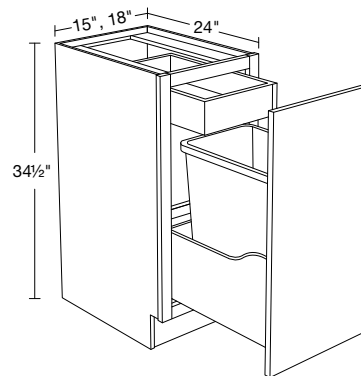
- Two full width, full extension, soft close roll-out trays
- Solid hardwood drawer insert
- Three 5" high angled tiers
- Rear 4" deep compartment
- Roll-out trays are not adjustable



B24-2T-ST
B27-2T-ST

24" Deep DELUXE Single 35 qt. Waste Basket Pullout

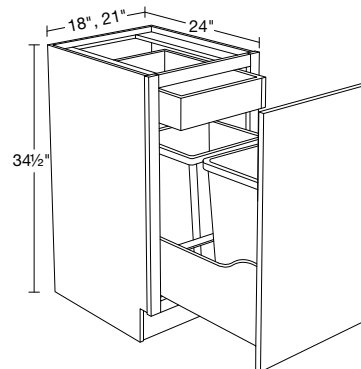
- Basket is removable
- Basket slides on heavy duty, full extension, soft close runners
- 35 quart white plastic basket sits in a dovetailed plywood drawer box
- Basket dimensions: 14"W x 10"D x 18"H
- Rollout tray not adjustable or removable
- Top mount roll-out tray for trash bag storage
- SOFT CLOSE DOOR AND ROLL OUT TRAY INCLUDED!



B1DWB15
B1DWB18

24" Deep DELUXE Double 35 qt. Waste Basket Pullout

- Basket is removable
- Basket slides on heavy duty, full extension, soft close runners
- Two 35 quart white plastic baskets sit in a dovetailed plywood drawer box
- Basket dimensions: 14"W x 10"D x 18"H
- Rollout tray not adjustable or removable
- Top mount roll-out tray for trash bag storage
- SOFT CLOSE DOOR AND ROLL OUT TRAY INCLUDED!

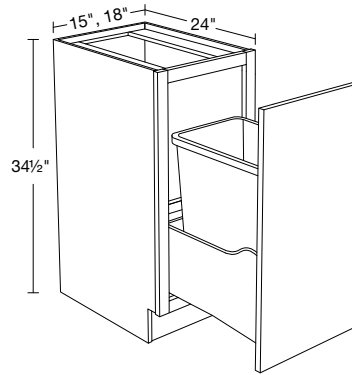


B2DWB18
B2DWB21

BASE CABINETS

Base Full 55qt Single Wastebasket

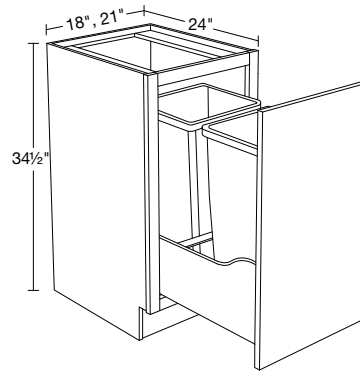
- Basket is removable
- Basket slides on heavy duty, full extension, soft close runners
- 55 quart white plastic basket sits in a dovetailed plywood drawer box
- Basket dimensions: 14"W x 10"D x 18"H
- Rollout tray not adjustable or removable
- SOFT CLOSE DOOR INCLUDED!



B1LWB15
B1LWB18

Base Full 55qt Double Wastebasket

- Basket is removable
- Basket slides on heavy duty, full extension, soft close runners
- Two 55 quart white plastic baskets sit in a dovetailed plywood drawer box
- Basket dimensions: 14"W x 10"D x 18"H
- Rollout tray not adjustable or removable
- SOFT CLOSE DOOR INCLUDED!

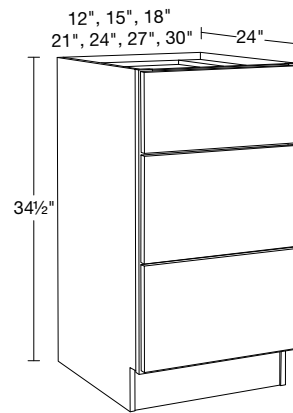


B2LWB18
B2LWB21

24" Deep Base - 3 Drawers

- One full extension, soft close standard top drawer
- Two full extension, soft close deep drawers
- CUSTOM DEPTH: 15" to 23" deep

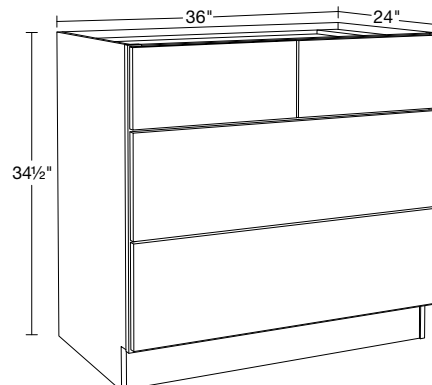
*Maximum drawer handle width is 4" wide for raised panel styles, 5 1/2" wide for recessed panel styles.



BD12*
BD15
BD18
BD21
BD24
BD27
BD30

24" Deep Base - 4 Drawers

- Two full extension, soft close standard top drawers
- Two full extension, soft close deep drawers
- CUSTOM DEPTH: 15" to 23" deep

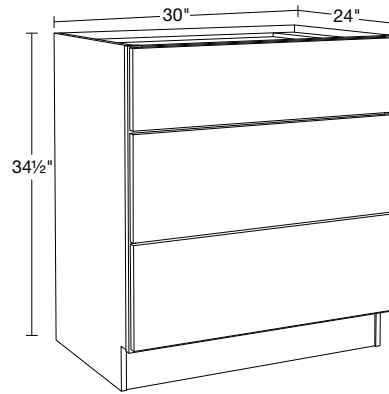


BD36

24" Deep Base Cooktop - Single False Front

- False top drawer front
- Two full extension, soft close deep drawers
- Accepts drop-in cooktop

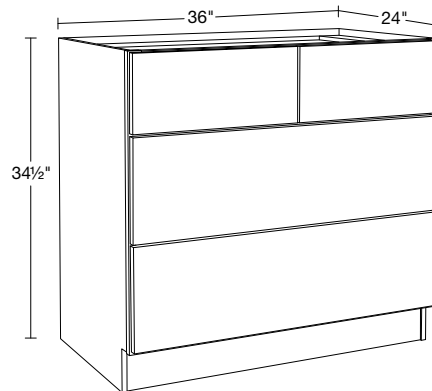
BCT30



24" Deep Base Cooktop - Double False Front

- False top drawer fronts
- Two full extension, soft close deep drawers
- Accepts drop-in cooktop

BCT36

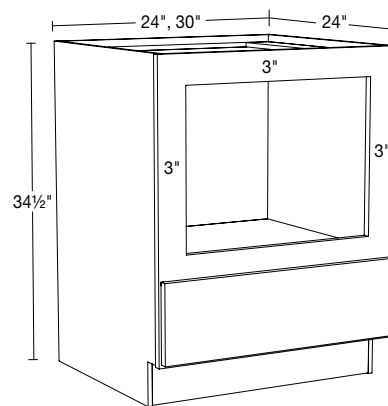


Microwave Base Cabinet

- Full depth interior shelf
- One full extension solid wood, dovetailed drawer box with soft close runners that can hold up to 90 pounds
- Features matching interior
- 24" wide cabinet has a max. microwave opening of 22.5" wide and 16 1/8" high
- 30" wide cabinet has a max. microwave opening of 28.5" wide and 16 1/8" high

NOTE The Microwave Oven opening can be trimmed out up to 1.5" wider

BMC24
BMC30

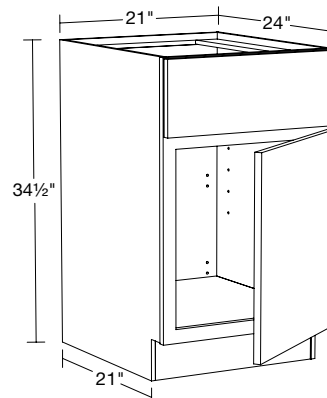


21" Deep Single Door Sink Base

- Maximum sink cutout 19" wide
- No shelf
- False drawer front
- Specify Right or Left hinge, Right hinge shown



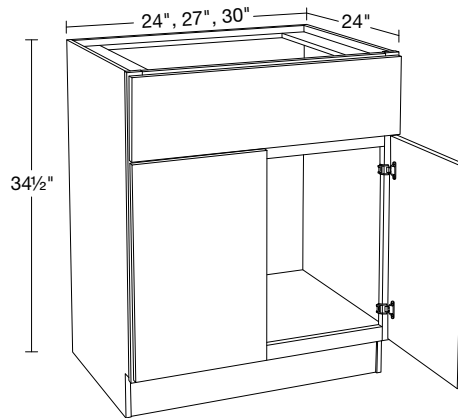
SB21



BASE CABINETS

24" Deep Sink Base

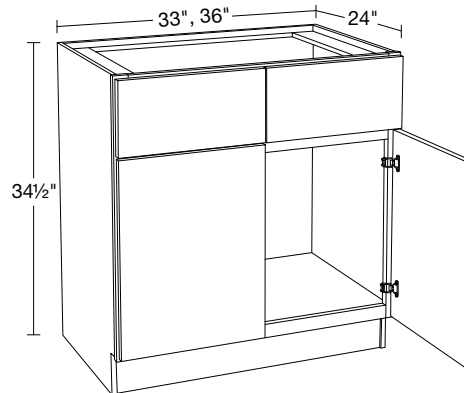
- No shelf, false drawer front
- May also be used as drop-in cooktop base
- CUSTOM DEPTH: 9" to 23" deep



SB24
SB27
SB30

24" Deep Sink Base

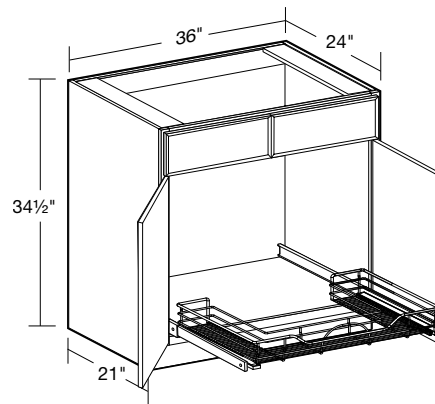
- No shelf, two false drawer fronts
- May also be used as drop-in cooktop base
- CUSTOM DEPTH: 9" to 23" deep



SB33
SB36

24" Deep Sink Base with 1 Chrome Roll-out Tray

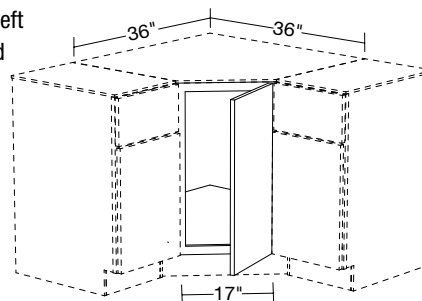
- No Shelf, two false drawer fronts
- One full width U-shaped chrome wire roll-out tray (not soft close)
- Designed to fit around sink plumbing



SB36-1USWP

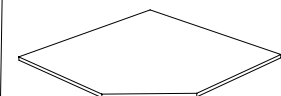
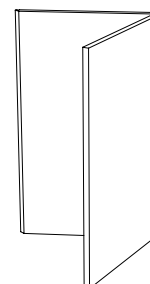
Sink Front Angle

- Angle sink front must be installed between two cabinets
- Frame/door can be installed with hinges on right or left
- Floor support and toe base must be field constructed
- Maximum sink width for this application 25 3/4"



FACE FRAME & DOOR
SFA36

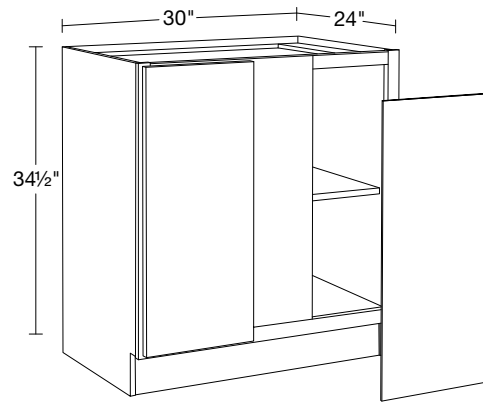
CORNER FLOOR
SFAF36



24" Deep Blind Base Corner

BBCU39

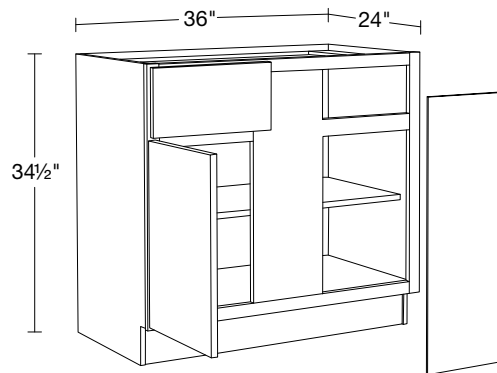
- Specify Right or Left hinge, Left hinge shown
- Specify Right or Left blind, Right blind shown
- Cabinet can be pulled for exact fit (see installation chart)
- 3" filler & 3/16" blind closure panel included - field installed
- Door width is 11-3/4"
- CUSTOM DEPTH: 9" to 23" deep



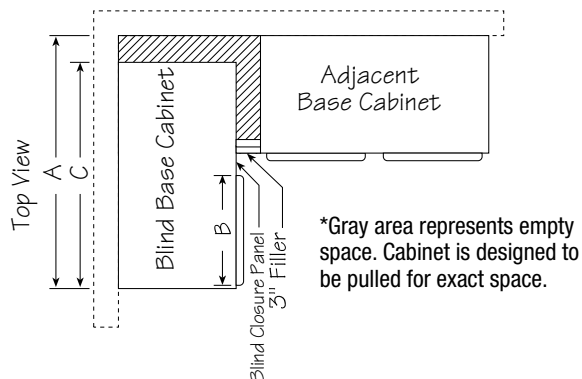
24" Deep Blind Base Corner

BBCU42

- Specify Right or Left hinge, Left hinge shown
- Specify Right or Left blind, Right blind shown
- Cabinet can be pulled for exact fit (see installation chart)
- 3" filler & 3/16" blind closure panel included - field installed
- Door width is 14-3/4"
- CUSTOM DEPTH: 9" to 23" deep (9" to 14" deep options have false front & no drawer)



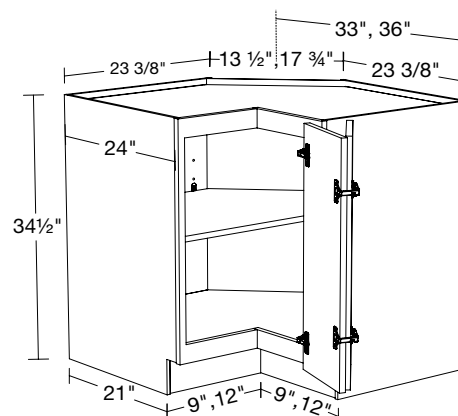
Blind Base Corner Installation



BLIND BASE INSTALLATION GUIDE				
Cabinet	Wall Space "A"		Frame Opening	Cabinet
	Min	Max	Width "B"	Width "C"
BBCU39	39"	42"	8 7/8"	30"
BBCU42	42"	45"	12"	36"

33" and 36" Easy Reach

- One full-depth straight adjustable shelf (reversible)
- Doors open 170 degrees for easy access
- Clip corner is 1/4" plywood
- 33" wide cabinet doors will not feature a raised center panel
- SOFT CLOSE DOOR (SCD) OPTION NOT AVAILABLE
- Specify Right or Left hinge, Right hinge shown



EZR33

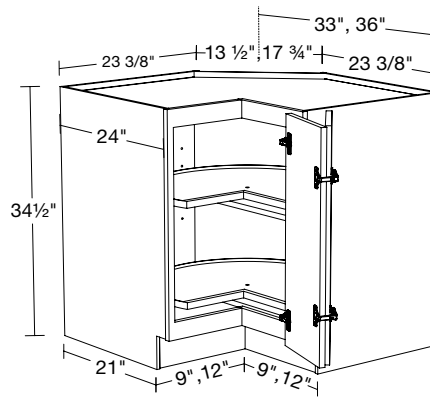
EZR36

BASE CABINETS

33" and 36" Easy Reach Super Suzan

- Two 26" or 28" diameter, pie-cut independently revolving all wood shelves
- Doors open 170 degrees for easy access
- Clip corner is 1/4" plywood
- 33" wide cabinet doors will not feature a raised center panel
- SOFT CLOSE DOOR (SCD) OPTION NOT AVAILABLE
- Specify Right or Left hinge, Right hinge shown

H



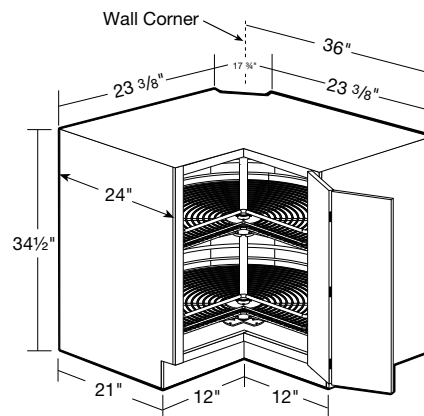
EZR33SS
EZR36SS

36" Easy Reach Chrome Susan

- CHROME SUSAN FIELD INSTALLED
- Doors open 170 degrees for easy access
- Clip corner is 1/4" plywood
- SOFT CLOSE DOOR (SCD) OPTION NOT AVAILABLE
- Specify Right or Left hinge, Right hinge shown

F

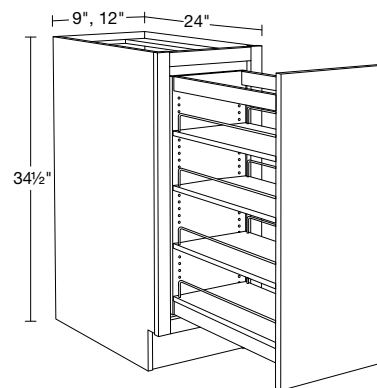
H



EZR36-2WLS

24" Deep Base Pantry Pullout

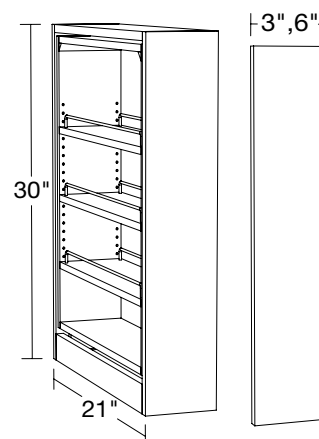
- Available in 9" & 12" width cabinets
- Full extension ball bearing slides provide stable, smooth pullout function
- Adjustable shelves with chrome rails
- 9" Wide G-Door styles will not feature a raised center panel



BPP09
BPP012

24" Deep Filler Pantry Pullout

- Available in 3" & 6" widths with matching Filler Strip
- Full extension ball bearing slides provide stable, smooth pullout function
- Adjustable shelves with chrome rails
- Pull-out unit must be installed between two cabinets or cabinet and wall*
- Top and bottom of filler unfinished
- Filler strip attached to pull-out unit after installation

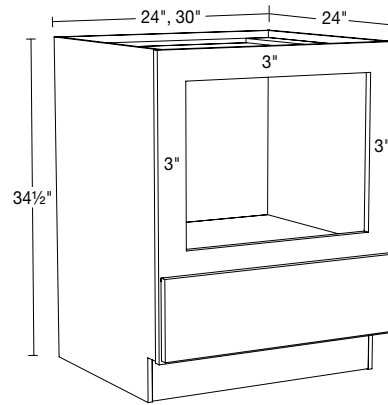


BFP03
BFP06

Microwave Base Cabinet

- Full depth interior shelf
- One full extension solid wood, dovetailed drawer box with soft close runners that can hold up to 90 pounds
- Features matching interior
- 24" wide cabinet has a max. microwave opening of 22.5" wide and 16 1/8" high
- 30" wide cabinet has a max. microwave opening of 28.5" wide and 16 1/8" high

NOTE The Microwave Oven opening can be trimmed out up to 1.5" wider

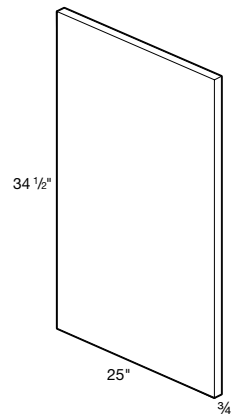


BMC24
BMC30

25" Wide Base Cover Panels

- 3/4" Thick
- Durable 2 sided melamine finish fused to MDF
- Cover Panels designed to match the finish of the doors
- Edgebanded on all 4 sides
- Field installed
- Panel designed for Left or Right application and to align with front of door face to create inset door appearance
- NOTE: Must be field modified if using with reduced depth cabinets

CPVB25345

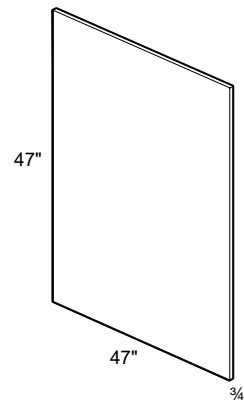


F

Island Panel

- 3/4" thick
- Durable 2 sided melamine fused to MDF
- Island Panels designed to match the finish of the doors
- Edgebanded on all 4 sides
- Field modified and installed

IPL4747

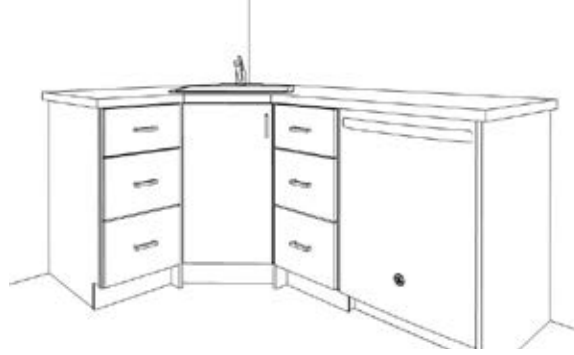


F

BASE CABINETS

Using a Sink Front Angle

For sufficient dishwasher door clearance and loading/unloading space, a 15" wide base cabinet is recommended for use between a corner sink base and dishwasher.



Clearance for Roll Out Trays

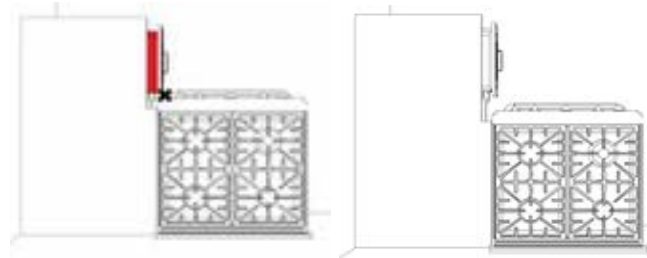
Be sure to leave enough clearance for doors to open at least 90 degrees. This will allow the roll out trays to be operated correctly.



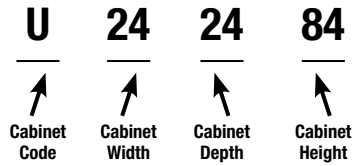
Blind Cabinets with Drawers

When placing a blind base cabinet, cabinet with drawer or trash pull out, make sure to allow enough clearance so drawer/pull out will open fully.

Make sure to leave enough space to allow drawer to open if placing around corner from range or appliance.



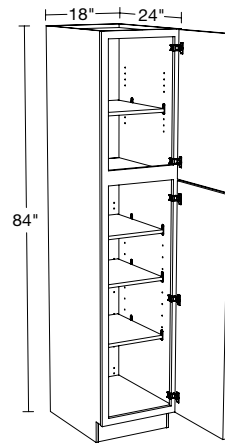
TALL CABINET CODING



- Standard Tall Cabinets are 24" deep
- Products are available in all door styles unless stated otherwise
- Standard cabinet exterior sides are color matched to face frame
- Soft close hinges unless stated otherwise

24" Deep Two Door Utility

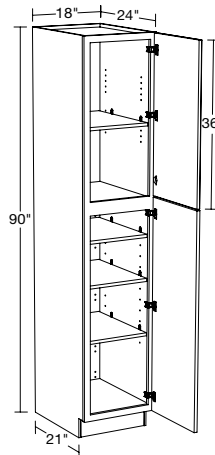
- One fixed shelf dividing upper and lower doors, four adjustable shelves
- Optional rollout trays or additional shelves available
- CUSTOM DEPTH: 9" to 23" deep
- Specify Right or Left hinge, Right hinge shown



U182484

24" Deep Two Door Utility

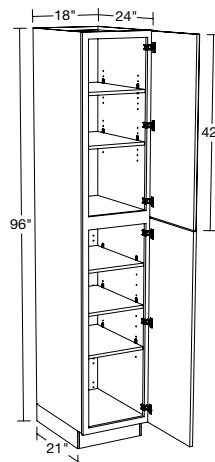
- One fixed shelf dividing upper and lower doors, four adjustable shelves
- Optional rollout trays or additional shelves available
- CUSTOM DEPTH: 9" to 23" deep
- Specify Right or Left hinge, Right hinge shown



U182490

24" Deep Two Door Utility

- One fixed shelf dividing upper and lower doors, five adjustable shelves
- Optional rollout trays or additional shelves available
- TSK96 is recommended if the cabinet will be on the end of a run
- Loose toe kick box for ease of installation
- Loose toe kick box will have a finished side, but will have a seam at bottom
- CUSTOM DEPTH: 9" to 23" deep
- Specify Right or Left hinge, Right hinge shown



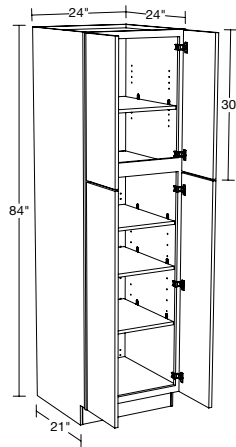
U182496

TALL CABINETS

24" Deep Four Butt Door Utility

- One fixed shelf dividing upper and lower doors, four adjustable shelves
- Optional rollout trays or additional shelves available
- CUSTOM DEPTH: 9" to 23" deep

A **C**

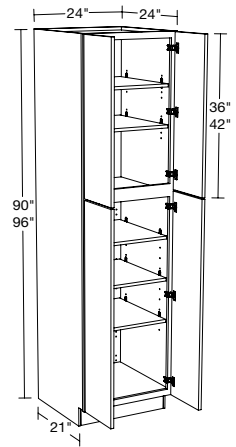


U242484

24" Deep Four Butt Door Utility

- One fixed shelf dividing upper and lower doors, five adjustable shelves
- Optional rollout trays or additional shelves available
- TSK96 is recommended if the cabinet will be on the end of a run
- On 96", loose toe kick box for ease of installation
- Loose toe kick box will have a finished side, but will have a seam at bottom
- CUSTOM DEPTH: 9" to 23" deep

A **C**



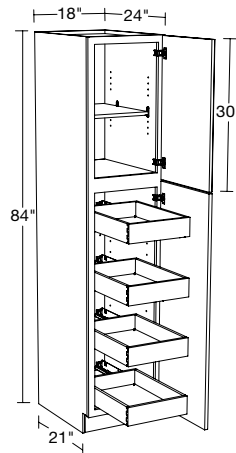
U242490

U242496

24" Deep Two Door Utility with Four Rollout Trays

- One fixed shelf dividing upper and lower doors
- Four full width, repositionable, full extension, soft close roll-out trays
- One adjustable shelf
- Specify Right or Left hinge, Right hinge shown

A **H**

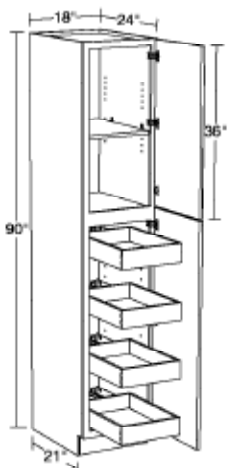


U182484-4T

24" Deep Two Door Utility with Four Rollout Trays

- One fixed shelf dividing upper and lower doors
- Four full width, repositionable, full extension, soft close roll-out trays
- Two adjustable shelves
- Specify Right or Left hinge, Right hinge shown

A **H**

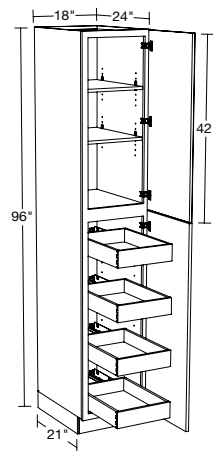


U182490-4T

24" Deep Two Door Utility with Four Rollout Trays

- One fixed shelf dividing upper and lower doors
- Four full width, repositionable, full extension, soft close roll-out trays
- Two adjustable shelves
- TSK96 is recommended if the cabinet will be on the end of a run
- Loose toe kick box for ease of installation
- Loose toe kick box will have a finished side, but will have a seam at bottom
- Specify Right or Left hinge, Right hinge shown

A H

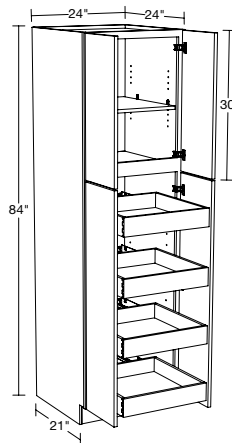


U182496-4T

24" Deep Four Butt Door Utility with Four Rollout Trays

- One fixed shelf dividing upper and lower doors
- Four full width, repositionable, full extension, soft close roll-out trays
- One adjustable shelf

A

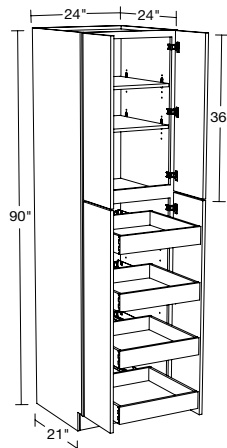


U242484-4T

24" Deep Four Butt Door Utility with Four Rollout Trays

- One fixed shelf dividing upper and lower doors
- Four full width, repositionable, full extension, soft close roll-out trays
- Two adjustable shelves

A

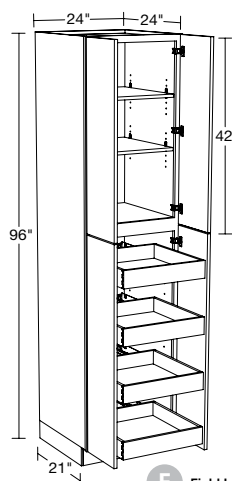


U242490-4T

24" Deep Four Butt Door Utility with Four Rollout Trays

- One fixed shelf dividing upper and lower doors
- Four full width, repositionable, full extension, soft close roll-out trays
- Two adjustable shelves
- TSK96 is recommended if the cabinet will be on the end of a run
- Loose toe kick box for ease of installation
- Loose toe kick box will have a finished side, but will have a seam at bottom

A



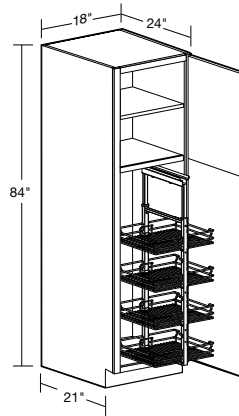
U242496-4T

TALL CABINETS

24" Deep Two Door Utility with Four Pull-out Chrome Trays

- FIELD INSTALLED PULL-OUT UNIT
- Pull-out unit includes 4 chrome baskets and optional door mounts
- Top and bottom glides are soft closing and 250 lb. weight rated
- One fixed shelf dividing upper and lower door
- One adjustable upper shelf
- Specify Right or Left hinge, Right hinge shown

F A H

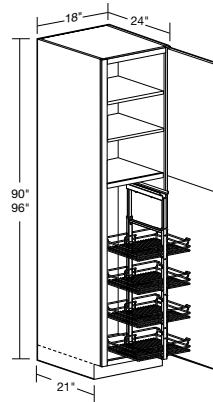


U182484-P04WS

24" Deep Two Door Utility with Four Pull-out Chrome Trays

- FIELD INSTALLED PULL-OUT UNIT
- Pull-out unit includes 4 chrome baskets and optional door mounts
- Top and bottom glides are soft closing and 250 lb. weight rated
- One fixed shelf dividing upper and lower door
- Two adjustable upper shelves
- Loose toe kick box for ease of installation
- Loose toe kick box will have a finished side, but will have a seam at bottom
- TSK96 is recommended if the cabinet will be on the end of a run
- Specify Right or Left hinge, Right hinge shown

F A H

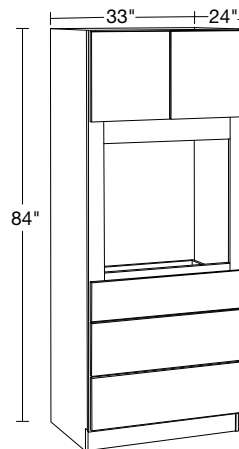


U182490-P04WS

U182496-P04WS

24" Deep Universal Oven

- Consult chart for oven cutout dimensions
- No adjustable shelf
- 3 field removable drawers
- 3" stiles in oven compartment
- For frame openings refer to page 53



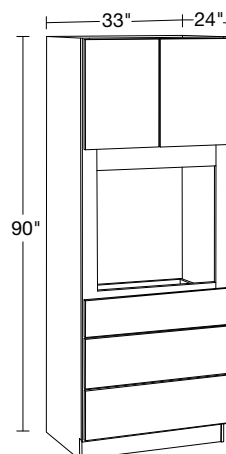
OC332484U

CABINET	MIN. CUTOUT WIDTH	MAX. CUTOUT WIDTH	MIN. CUTOUT HEIGHT	MAX. CUTOUT HEIGHT
OC332484U	27"	31"	22"	55"

24" Deep Universal Oven

- Consult chart for oven cutout dimensions
- One adjustable shelf
- 3 field removable drawers
- 3" stiles in oven compartment
- For frame openings refer to page 53

A



OC332490U

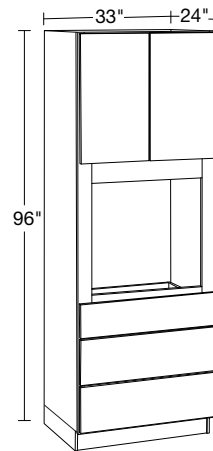
CABINET	MIN. CUTOUT WIDTH	MAX. CUTOUT WIDTH	MIN. CUTOUT HEIGHT	MAX. CUTOUT HEIGHT
OC332490U	27"	31"	22"	55"

TALL CABINETS

24" Deep Universal Oven

- Consult chart for oven cutout dimensions
- One adjustable shelf
- 3 field removable drawers
- 3" stiles in oven compartment
- Loose toe kick box for ease of installation
- Loose toe kick box will have a finished side, but will have a seam at bottom
- TSK96 is recommended if the cabinet will be on the end of a run
- For frame openings refer to page 53

A



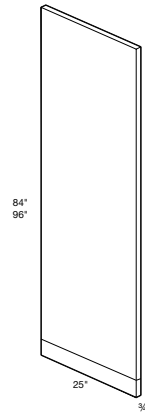
OC332496U

CABINET	MIN. WIDTH	MAX WIDTH	MIN. HEIGHT	MAX HEIGHT
OC332496U	27"	31"	22"	55"

25" Wide Tall Cover Panels

- 3/4" thick
- Durable 2 sided melamine fused to MDF
- Cover Panels designed to match the finish of the doors
- Edgebanded on all 4 sides
- Field installed
- Panel designed for Left or Right application and to align with front of door face to create inset door appearance

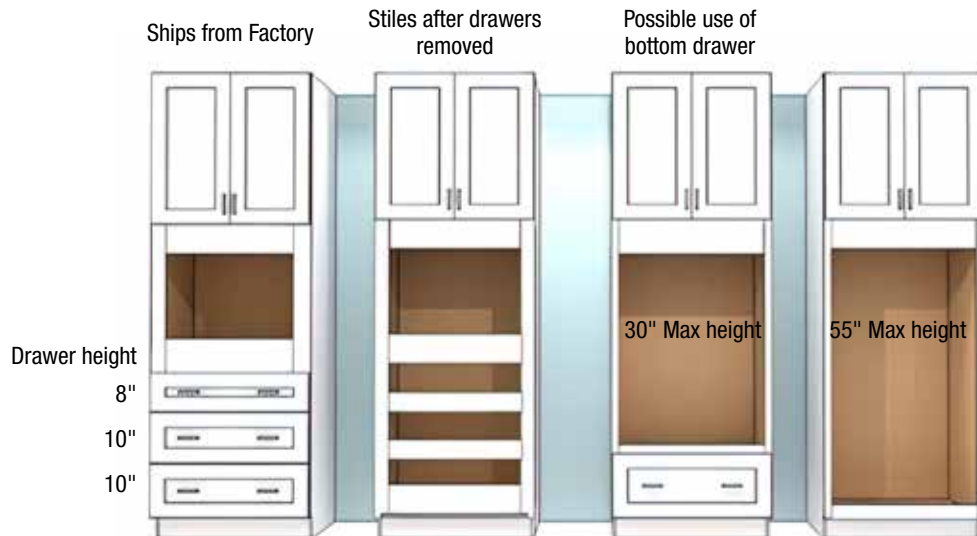
F



CPVT2584

CPVT2596

Universal Oven Cabinet

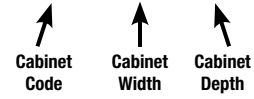


The Universal Oven cabinet will need to be modified on the job site to fit your specific appliance. By removing the drawers and stiles between the drawers you can achieve an opening height between 21" and 55", and a maximum width of 31". The height of the upper doors will not be affected with these modifications. Your appliance size and the amount of modification required will determine if the drawers will be able to be used. In some instances, the top drawer may be dropped to the bottom position, thus allowing a drawer to remain. Installation and modification of the cabinet is completed on your job site, not in the factory. Support for the appliance is not supplied by the cabinet company and will need to be determined based on appliance manufacture requirement.

VANITY & DESK CABINETS

VANITY CABINET CODING

VSB 30 21



- Standard Vanity Base Cabinets are 21" deep and 34½" high
- Cabinet depth does not include door thickness
- Custom Depths are available where indicated. Use Standard Base Cabinet coding to order as specified.
- Products are available in all door styles unless stated otherwise
- Standard cabinet exterior sides are color matched to face frame
- Soft close unless otherwise stated

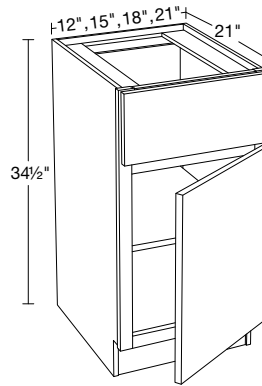
21" Deep Single Door Vanity Base

- One full depth adjustable shelf
- One standard drawer
- Specify Right or Left hinge, Right hinge shown



For Custom Depths

- Order B12, B15, B18 or B21
- Select 9" to 23" depth
- 9" to 14" deep have false fronts & no drawer



**STANDARD
21" DEPTHS**

**VB1221
VB1521
VB1821
VB2121**

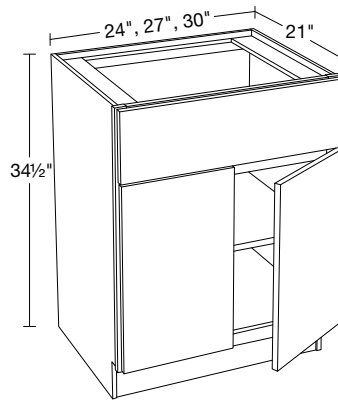
21" Deep Double Door Vanity Base

- One full depth adjustable shelf
- One standard drawer



For Custom Depths

- Order B24, B27 or B30
- Select 9" to 23" depth
- 9" to 14" deep have false fronts & no drawer



**STANDARD
21" DEPTHS**

**VB2421
VB2721
VB3021**

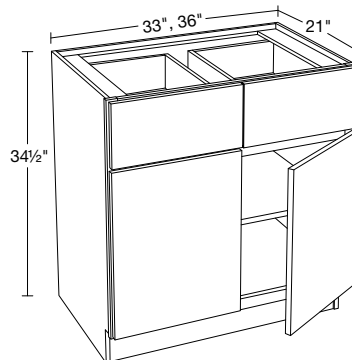
21" Deep Double Door Vanity Base

- One full depth adjustable shelf
- Two standard drawers



For Custom Depths

- Order B33 or B36
- Select 9" to 23" depth
- 9" to 14" deep have false fronts & no drawer



**STANDARD
21" DEPTHS**

**VB3321
VB3621**

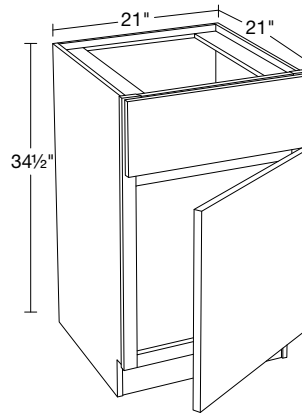
21" Deep Single Door Vanity Sink Base

- Maximum sink cutout 19" wide
- No shelf
- False drawer front
- Specify Right or Left hinge, Right hinge shown

H

For Custom Depths

- Order SB21
- Select 9" to 23" depth



STANDARD
21" DEPTHS

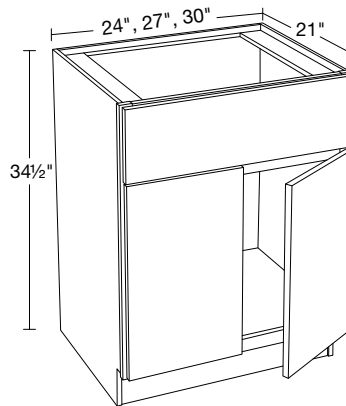
VSB2121

21" Deep Double Door Vanity Sink Base

- No shelf
- False drawer front

For Custom Depths

- Order SB24, SB27 or SB30
- Select 9" to 23" depth



STANDARD
21" DEPTHS

VSB2421

VSB2721

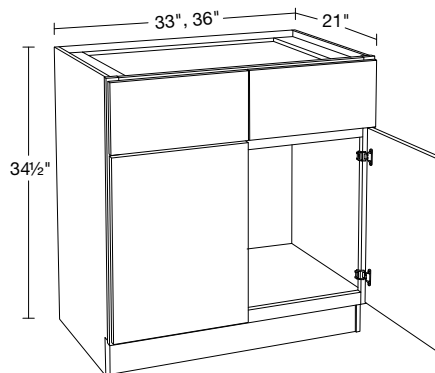
VSB3021

21" Deep Double Door Vanity Sink Base

- No shelf, two false fronts

For Custom Depths

- Order SB33 or SB36
- Select 9" to 23" depth



STANDARD
21" DEPTHS

VSB3321

VSB3621

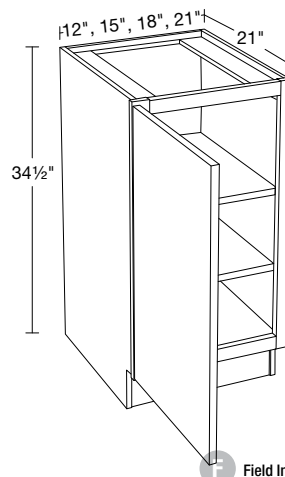
21" Deep Single Full Height Door Vanity Base

- Two adjustable shelves
- Specify Right or Left hinge, Left hinge shown

A H

For Custom Depths

- Order B12FH, B15FH, B18FH or B21FH
- Select 9" to 23" depth



STANDARD
21" DEPTHS

VB1221FH

VB1521FH

VB1821FH

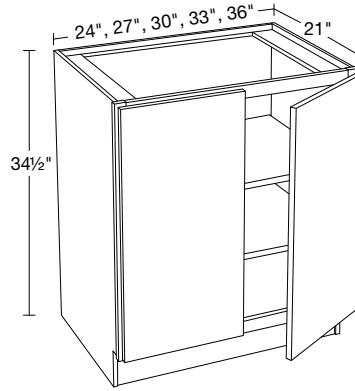
VB2121FH

VANITY & DESK CABINETS

21" Deep Double Full Height Door Vanity Base

- Two adjustable shelves

A



**STANDARD
21" DEPTHS**

**VB2421FH
VB2721FH
VB3021FH
VB3321FH
VB3621FH**

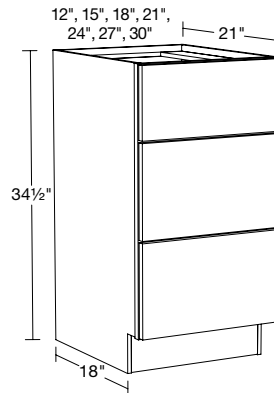
For Custom Depths

- Order B24FH, B27FH, B30FH or B36FH
- Select 9" to 23" depth

21" Deep Vanity Base Drawer

- One standard drawer
- Two deep drawers

*Maximum drawer handle width for drawers is 4" wide for raised panel styles, 5 1/2" wide for recessed panel styles.



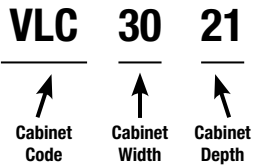
**STANDARD
21" DEPTHS**

**VBD1221*
VBD1521
VBD1821
VBD2121
VBD2421
VBD2721
VBD3021**

For Custom Depths

- Order BD12, BD15, BD18, BD21, BD24, BD27, or BD30
- Select 15" to 23" depth

VANITY CABINET CODING



- Standard Vanity Cabinets are 21" deep
- Cabinet depth does not include door thickness
- Custom Depths are available where indicated. Use Standard Base Cabinet coding to order as specified.
- Not available in WWW, WVG or WVB
- Standard cabinet exterior sides are color matched to face frame
- Shelf adjustment holes on the interior sides and back of cabinets will be visible

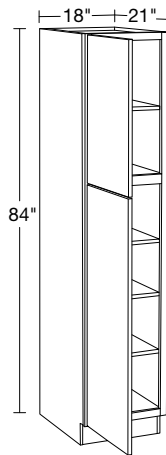
21" Deep Two Door Linen

- One fixed shelf dividing upper and lower sections, four adjustable shelves
- Specify Right or Left hinge, Left hinge shown



For Custom Depths

- Order U182484
- Select 9" to 23" depth



**STANDARD
21" DEPTHS
VLC182184**

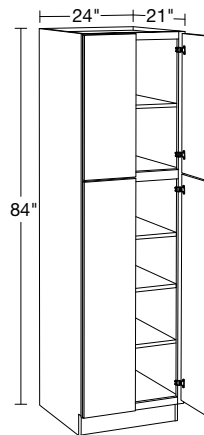
21" Deep Four Door Linen

- One fixed shelf dividing upper and lower sections, four adjustable shelves



For Custom Depths

- Order U242484
- Select 9" to 23" depth

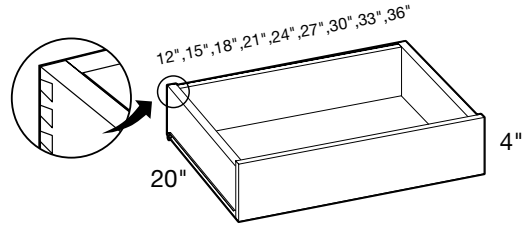


**STANDARD
21" DEPTHS
VLC242184**

ACCESSORIES

Rollout Tray Kits

- 5/8" Solid wood dovetail construction
- Includes full extension smooth-glide under-mounted runners
- Soft Close Included
- 90 lb. load capacity
- Available for use base and tall cabinets
- Field-install into factory pre-drilled locations only
- Consult availability guide
- Roll out trays not available for Vanity Linen Cabinets or reduced depth cabinets.
- The roll out trays are natural birch in color and will not be color matched if added to a PFG or No door cabinet with matching interior.

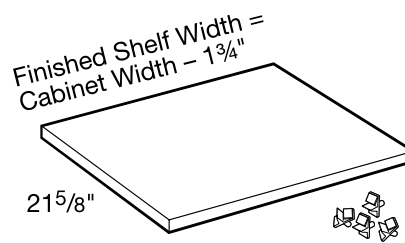


ROT12
ROT15
ROT18
ROT21
ROT24
ROT27
ROT30
ROT33
ROT36

ROLL-OUT TRAY KIT AVAILABILITY GUIDE		
PART#	DESIGNED TO FIT	ACTUAL WIDTH
ROT12	B12, B12FH	8"
ROT15	B15, B15FH	11"
ROT18	B18, B18FH, U182484 / 90 / 96	14"
ROT21	B21, B21FH	17"
ROT24	B24, B24FH, SB24, U242484 / 90 / 96	20"
ROT27	B27, B27FH, SB27	23"
ROT30	B30, B30FH, SB30	26"
ROT33	B33, B33FH, SB33	29"
ROT36	B36, B36FH, SB36	32"

Base Cabinet Shelf Kits

- 3/4" Thick plywood faced with natural birch vinyl laminate and matching edgebanding.
- Edgebanded on front edge
- One shelf and set of clips per kit
- Consult availability guide

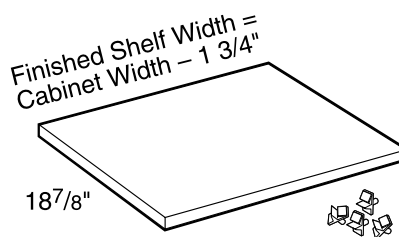


SK1224
SK1524
SK1824
SK2124
SK2424
SK2724
SK3024
SK3324
SK3624

SHELF KIT AVAILABILITY GUIDE		
PART#	DESIGNED TO FIT	ACTUAL WIDTH
SK1224	B12, B12FH	10 1/4"
SK1524	B15, B15FH	13 1/4"
SK1824	B18, B18FH, U182484/96	16 1/4"
SK2124	B21, B21FH	19 1/4"
SK2424	B24, B24FH, SB24, U242484 / 90 / 96	22 1/4"
SK2724	B27, B27FH, SB27	25 1/4"
SK3024	B30, B30FH, SB30, BBCU39	28 1/4"
SK3324	B33, B33FH, SB33, OC332484U / 90U / 96U	31 1/4"
SK3624	B36, B36FH, SB36, BBCU42	34 1/4"

Vanity Shelf Kit

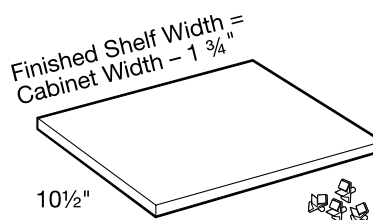
- 3/4" Thick plywood faced with natural birch vinyl laminate and matching edgebanding.
- Edgebanded on front edge
- One shelf and set of clips per kit
- Consult availability guide
- EXAMPLE: 36" wide vanity cabinet uses VSK3621



- VSK1221
- VSK1521
- VSK1821
- VSK2121
- VSK2421
- VSK2721
- VSK3021
- VSK3321
- VSK3621

Wall Cabinet Shelf Kits

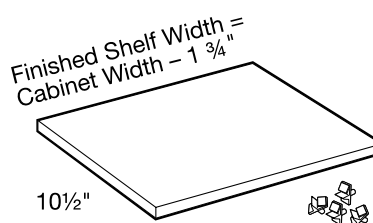
- 3/4" Thick plywood faced with natural birch vinyl laminate and matching edgebanding
- Edgebanded on front edge
- One shelf and set of clips per kit
- EXAMPLE: 36" wide wall cabinet uses SK3612



- SK1212
- SK1512
- SK1812
- SK2112
- SK2412
- SK2712
- SK3012
- SK3312
- SK3612

Matching Interior Wall Cabinet Shelf Kits

- Shelf kits are 3/4" thick plywood finished with vinyl laminate and matching edgebanding color matched to cabinetry face frame
- Edgebanded on front edge
- One shelf and set of clips per kit
- Consult availability guide
- EXAMPLE: 36" wide wall cabinet uses SK3612MI



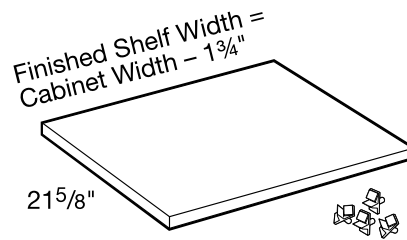
- SK1212MI
- SK1512MI
- SK1812MI
- SK2112MI
- SK2412MI
- SK2712MI
- SK3012MI
- SK3312MI
- SK3612MI

SHELF KIT AVAILABILITY GUIDE FOR WALLS		
PART#	DESIGNED TO FIT	ACTUAL WIDTH
SK1212MI	W1230/36/42-PFG, W1230/36/42-ND	10 1/4"
SK1512MI	W1530/36/42-PFG, W1530/36/42-ND	13 1/4"
SK1812MI	W1830/36/42-PFG, W1830/36/42-ND	16 1/4"
SK2112MI	W2130/36/42-PFG, W2130/36/42-ND	19 1/4"
SK2412MI	W2430/36/42-PFG, W2430/36/42-ND	22 1/4"
SK2712MI	W2730/36/42-PFG, W2730/36/42-ND	25 1/4"
SK3012MI	W3024/30/36/42-PFG, W3024/30/36/42-ND	28 1/4"
SK3312MI	W3330/36/42-PFG, W3330/36/42-ND	31 1/4"
SK3612MI	W3624/30/36/42-PFG, W3624/30/36/42-ND	34 1/4"

ACCESSORIES

Matching Interior Base Cabinet Shelf Kits

- Shelf kits are 3/4" thick plywood finished with vinyl laminate and matching edgebanding color matched to cabinetry face frame
- Edgebanded on front edge
- One shelf and set of clips per kit
- Consult availability guide

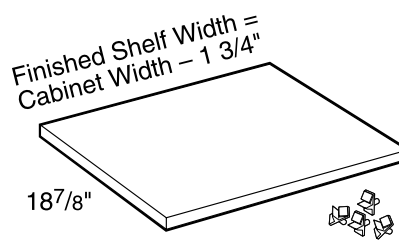


- SK1224MI
- SK1524MI
- SK1824MI
- SK2124MI
- SK2424MI
- SK2724MI
- SK3024MI
- SK3324MI
- SK3624MI

SHELF KIT AVAILABILITY GUIDE FOR BASES/TALLS		
PART#	DESIGNED TO FIT	ACTUAL WIDTH
SK1224MI	B12ND	10 1/4"
SK1524MI	B15ND	13 1/4"
SK1824MI	B18ND, U182484/90/96-PFG, U182484/90/96-ND	16 1/4"
SK2124MI	B21ND	19 1/4"
SK2424MI	B24ND, U242484/90/96-PFG, U242484/90/96-ND	22 1/4"
SK2724MI	B27ND	25 1/4"
SK3024MI	B30ND, W302424PFG, W302424ND	28 1/4"
SK3324MI	B33ND, OC332484/90/96U	31 1/4"
SK3624MI	B36ND, W362424PFG, W362424ND	34 1/4"

Matching Interior Vanity Shelf Kit

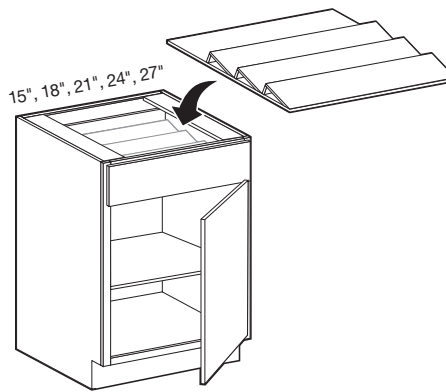
- Shelf kits are 3/4" thick plywood finished with vinyl laminate and matching edgebanding color matched to cabinetry face frame
- Edgebanded on front edge
- EXAMPLE: 36" wide vanity cabinet uses VSK3621MI



- VSK1221MI
- VSK1521MI
- VSK1821MI
- VSK2121MI
- VSK2421MI
- VSK2721MI
- VSK3021MI
- VSK3321MI
- VSK3621MI

Spice Drawer Insert

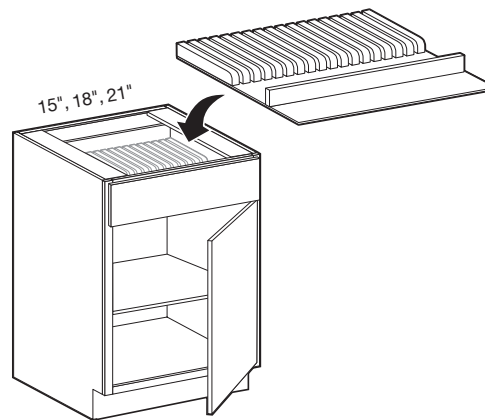
- Solid hardwood drawer insert
- Three 5" high angled tiers
- Rear 4" deep compartment
- Sized to fit inside 15", 18", 21", 24", 27" wide drawers
- Not for use in custom-depth cabinets



SDI15
SDI18
SDI21
SDI24
SDI27

Knife Block Insert

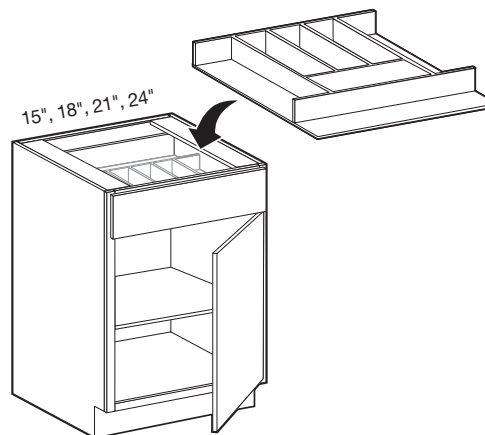
- Solid hardwood drawer insert
- One full width front utensil compartment
- KBI15: 10 knife slots + utensil compartment (fits B15, BD15)
- KBI18: 13 knife slots + utensil compartment (fits B18, BD18, B36, BD36)
- KBI21: 16 knife slots + utensil compartment (fits B21)
- Not for use in custom-depth cabinets



KBI15
KBI18
KBI21

Cutlery Divider Tray

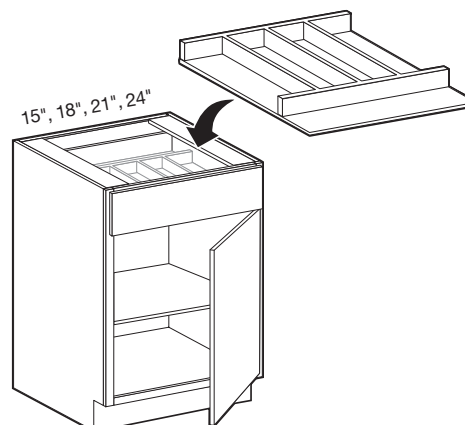
- Solid hardwood drawer insert
- One full width front utensil compartment
- CDT15: 6 compartments 10"-14" deep (fits B15, BD15)
- CDT18: 6 compartments 10"-14" deep (fits B18, BD18, B36, BD36)
- CDT21: 8 compartments 10"-14" deep (fits B21)
- CDT24: 8 compartments 10"-14" deep (fits B24, BD24)
- Not for use in custom-depth cabinets



CDT15
CDT18
CDT21
CDT24

Utensil Divider Tray

- Solid hardwood drawer insert
- One full width front utensil compartment
- UTD15: 2 additional compartments 16" deep (fits B15, BD15)
- UTD18: 4 additional compartments 16" deep (fits B18, BD18, B36, BD36)
- UTD21: 5 additional compartments 16" deep (fits B21)
- UTD24: 5 additional compartments 16" deep (fits B24, BD24)
- Not for use in custom-depth cabinets

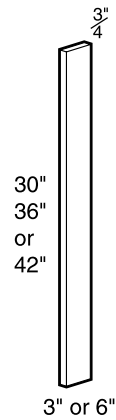


UTD15
UTD18
UTD21
UTD24

ACCESSORIES

Filler Strips

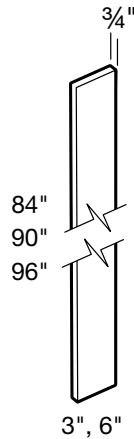
- 3/4" thick MDF for Painted and Vinyl Finishes
- 3/4" thick solid wood for stained finishes
- Face and sides finished



FS30
FS36
FS42
FS84
FS630
FS636
FS642

Tall Filler Strips

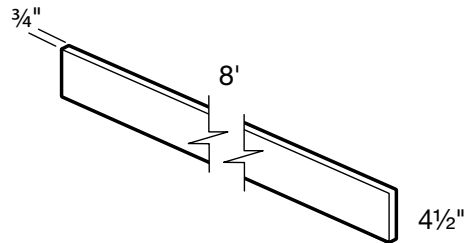
- 3/4" thick MDF for Painted and Vinyl Finishes
- 3/4" thick solid wood for stained finishes
- Face and sides finished



FS84
FS90
FS96
FS696

8' Finished Toe Kick – Matches Frame Color

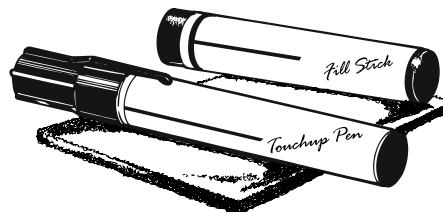
- 3/4" thick plywood finished with vinyl laminate color matched to cabinetry face frame
- Field modified and installed



MTK8

Touch-Up Kit

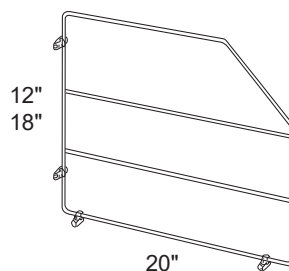
- Includes fill stick, touch-up pen, and 4 door bumpers



TUK

Tray Dividers

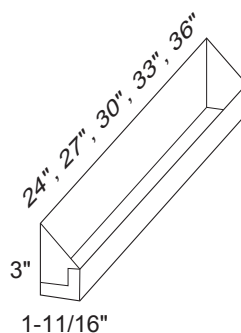
- Available in 12" & 18" heights
- Chrome finish
- Stores baking sheets, serving dishes, etc.
- Comes with 4 clips & fasteners
- Attaches to cabinet middle or bottom shelf
- Field installed
- Not for use in custom-depth cabinets



TD12CR
TD18CR

Tilt-out Tray Kits

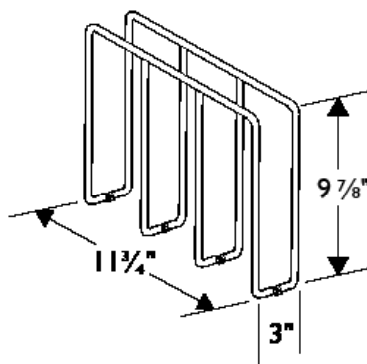
- Kit attaches to sink base false drawer front to create tilt-out drawer
- Holds sponges, scouring pads, dish soaps, etc.
- Stainless steel construction
- Field installed prior to countertop
- *Two trays included to fit double false fronts



SBT0TK24
SBT0TK27
SBT0TK30
SBT0TK33*
SBT0TK36*

U-Shaped Tray Divider 3" - Chrome

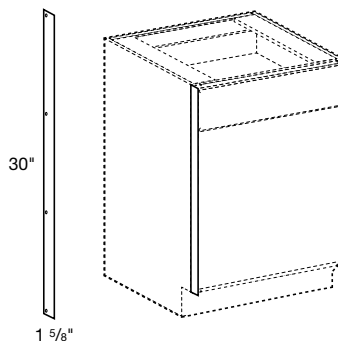
- Bakeware Organizer
- Use 2 or more to organize cabinet
- Can be used in base or wall cabinet
- Field installation with only 4 screws



USTD3-CR

Heat Shield

- Helps protect cabinet doors adjacent to ovens
- Attaches to the cabinet face frame
- Available in White, Almond or Black



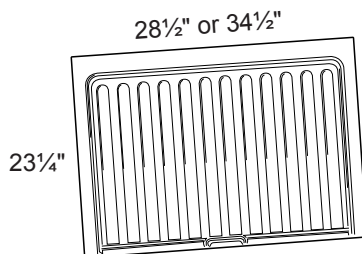
Heat_Shield_White
Heat_Shield_black
Heat_Shield_almond



ACCESSORIES

Sink Base Liner

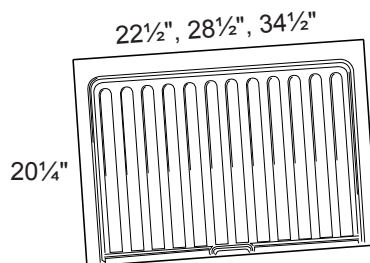
- Helps protect sink cabinet from damage due to leaks in piping or drains
- Sleek surface for easy cleanup
- SBL2730 can be trimmed to fit SB27 or SB30
- SBL3336 can be trimmed to fit SB33 or SB36
- Field installed
- Grey polystyrene easy to clean surface
- Not for use in custom-depth cabinetry



SBL2730
SBL3336

21" Deep Vanity Sink Base Liner

- Helps protect sink cabinet from damage due to leaks in piping or drains
- VSBL2124 can be trimmed to fit VSB2121 or VSB2421
- VSBL2730 can be trimmed to fit VSB2721 or VSB3021
- VSBL3336 can be trimmed to fit VSB3321 or VSB3621
- Field installed
- Grey polystyrene easy to clean surface
- Not for use in custom-depth cabinetry



VSBL2124
VSBL2730
VSBL3336

Cover Panel Design Tips

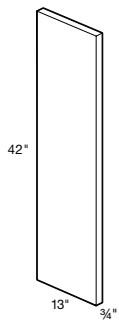
In our Metropolitan Series the sides of the cabinets will be finished to the color of the face frame and will not have a High Gloss Finish.

To achieve a Hi-Gloss Finish you will need to apply cover panels to the sides of exposed cabinets.

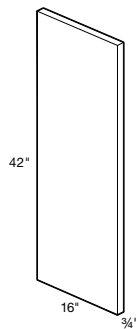
The cover panels are deeper than the box and door of the cabinet to create an inset look to the door.

- The height of the panel will be the box height or may have to be modified on the job site to match the height of the box.
- Please also keep in mind that the panels are $\frac{3}{4}$ " thick, so plan for them when you are designing as adding them after the fact could be a problem

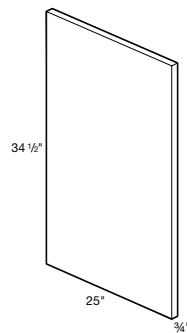
**13" Wide Wall
Cover Panels**
Page 14



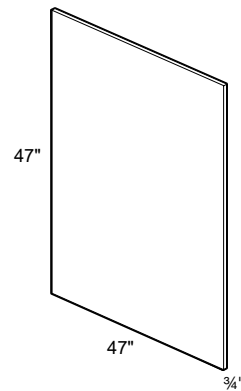
**16" Wide Wall
Cover Panels**
Page 14



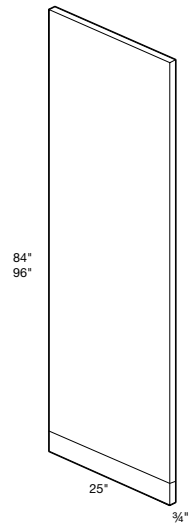
**25" Wide Base
Cover Panels**
Page 30



Island Panel
Page 30



25" Wide Tall Cover Panels
Page 36



This picture shows the cabinets if no panels are used. The sides will be matte finished to match the face frame not the doors of the cabinet. The doors and drawer fronts set on the face-frame and will not have an inset look.



COVER PANELS

This picture shows the cabinets with the cover panels applied as well as top and bottom molding to give the cabinet doors an inset look. For the top and bottom, filler pieces (FS96) were used and pulled out to just beyond the cabinet door, so about 1 Inch.

When using panels, a good rule to remember is that what ever you do to the upper cabinets you must also account for on the bottom run.

As an example, please notice around the upper bridge cabinet, there are panels on each side. To keep the run symmetrical and in line, panels were also used on each side of the full height door cabinet below.



Another way to create this look is to use waterfall countertops on the end of the cabinet run and on the island. Panels can be used on the uppers and countertop on the lowers.



Square Bar Pull

- Matte black



DH801-96MBL

4-1/4" Square Bar Pull
3 3/4" center (96mm)

DH801-128MBL

5-1/2" Square Bar Pull
5" center (128mm)

DH00801-17MBL

6-3/4" Square Bar Pull
6-5/16" center (160mm)

Square Bar Pull

- Brushed nickel



DH801-96BRN

4-1/4" Square Bar Pull
3 3/4" center (96mm)

DH801-128BRN

5-1/2" Square Bar Pull
5" center (128mm)

DH00801-17BRN

6-3/4" Square Bar Pull
6-5/16" center (160mm)

Square Bar Pull

- Champagne Bronze



DH873-96CHBR

4-1/4" Square Bar Pull
3 3/4" center (96mm)

DH873-128CHBR

5-3/8" Square Bar Pull
5" center (128mm)

DH873-160CHBR

6-3/4" Square Bar Pull
6-5/16" center (160mm)

Tubular Bar Pull

- Brushed nickel



DH5016-96BRN

5-3/8" Tubular Bar Pull
3 3/4" center (96mm)

DH5016-128BRN

6-5/8" Tubular Bar Pull
5" center (128mm)

DH5016-160BRN

7-7/8" Tubular Bar Pull
6-5/16" center (160mm)

DECORATIVE HARDWARE

Tubular Bar Pull

- Champagne Bronze



DH5016-96CHBR

5-3/8" Tubular Bar Pull
3 3/4" center (96mm)

DH5016-128CHBR

6-5/8" Tubular Bar Pull
5" center (128mm)

DH5016-160CHBR

7-7/8" Tubular Bar Pull
6-5/16" center (160mm)

Euro Pull

- Euro railing pull
- Brushed nickel
- DESIGN TIP: Make sure to double check the length of drawer/door to ensure pull will fit the cabinet



DH45-100 - 6 15/16" Euro Pull

3-13/16" center (96mm)

DH45-102 - 10 3/4" Euro Pull

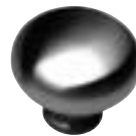
7-9/16" center (192mm)

DH45-104 - 14 7/8" Euro Pull*

11-3/4" center (298mm)

Round knob

- Brushed nickel
- 1-1/4" diameter



DH99-188

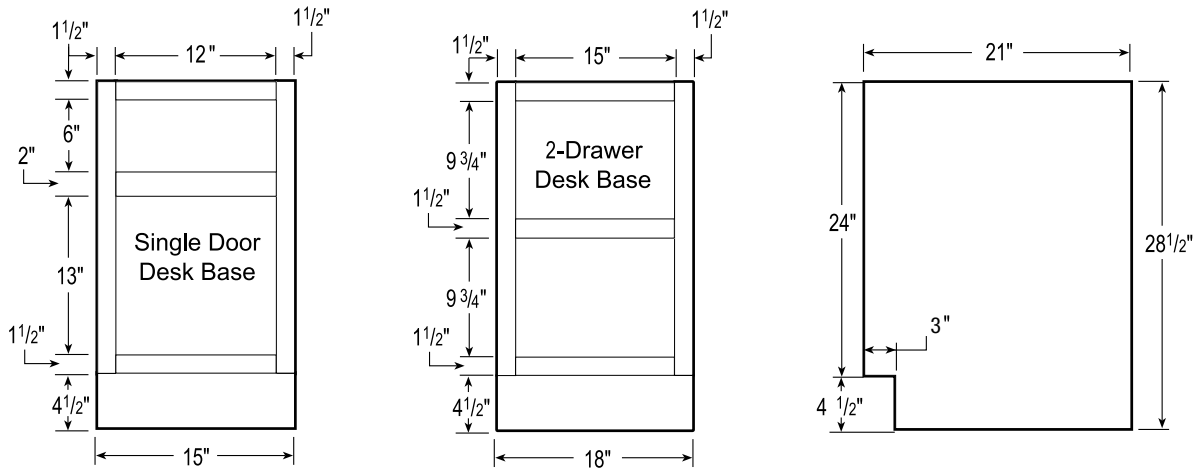
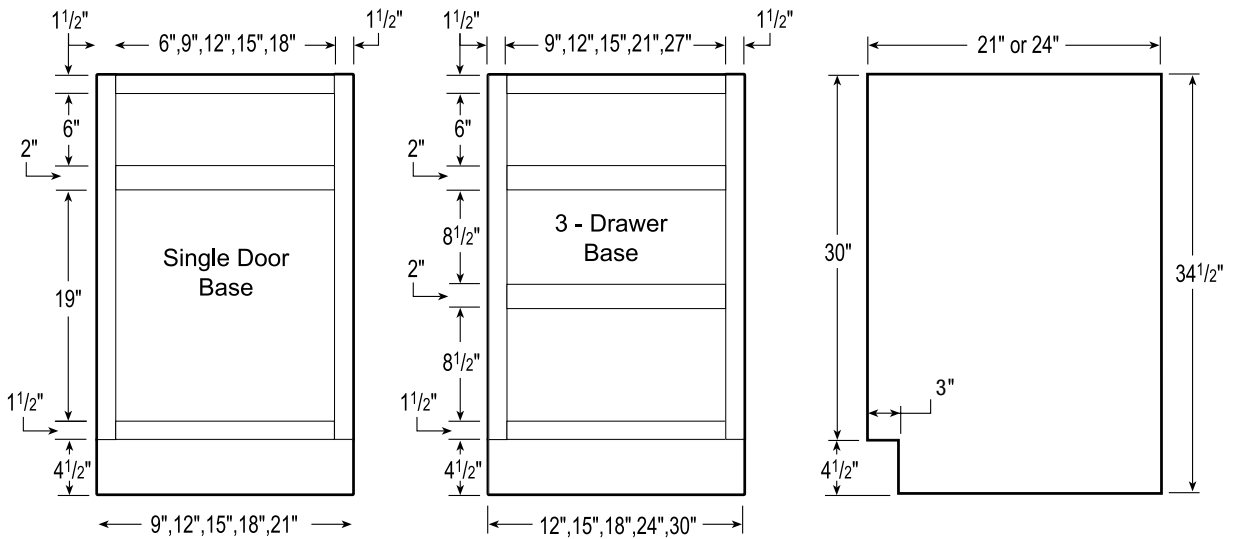
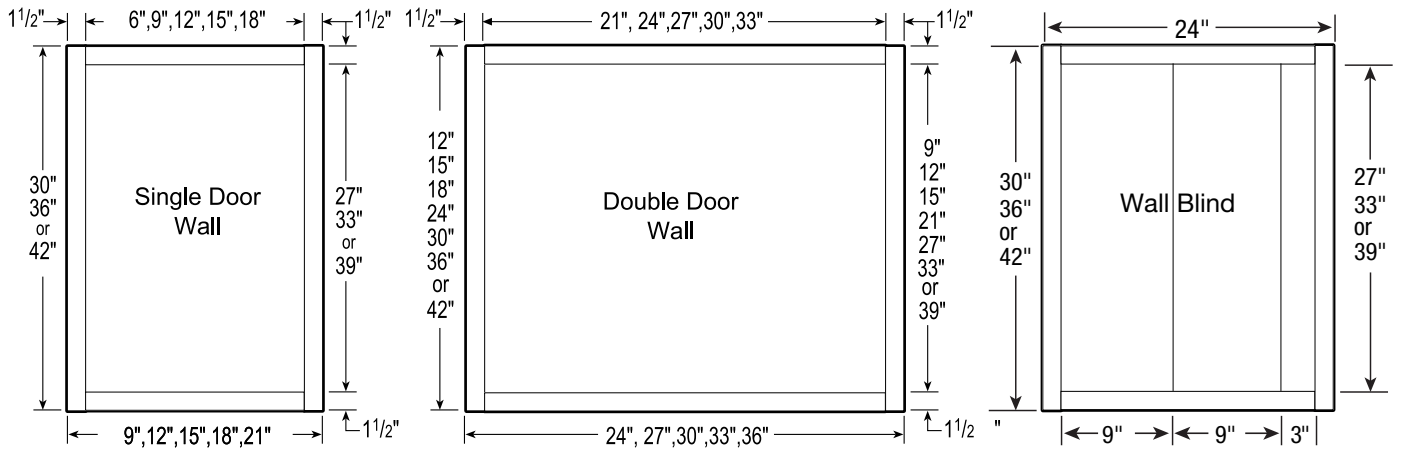
Contemporary Bow Pull

- Brushed nickel
- 3-3/4" center (96mm)
- 5-1/4" outside length

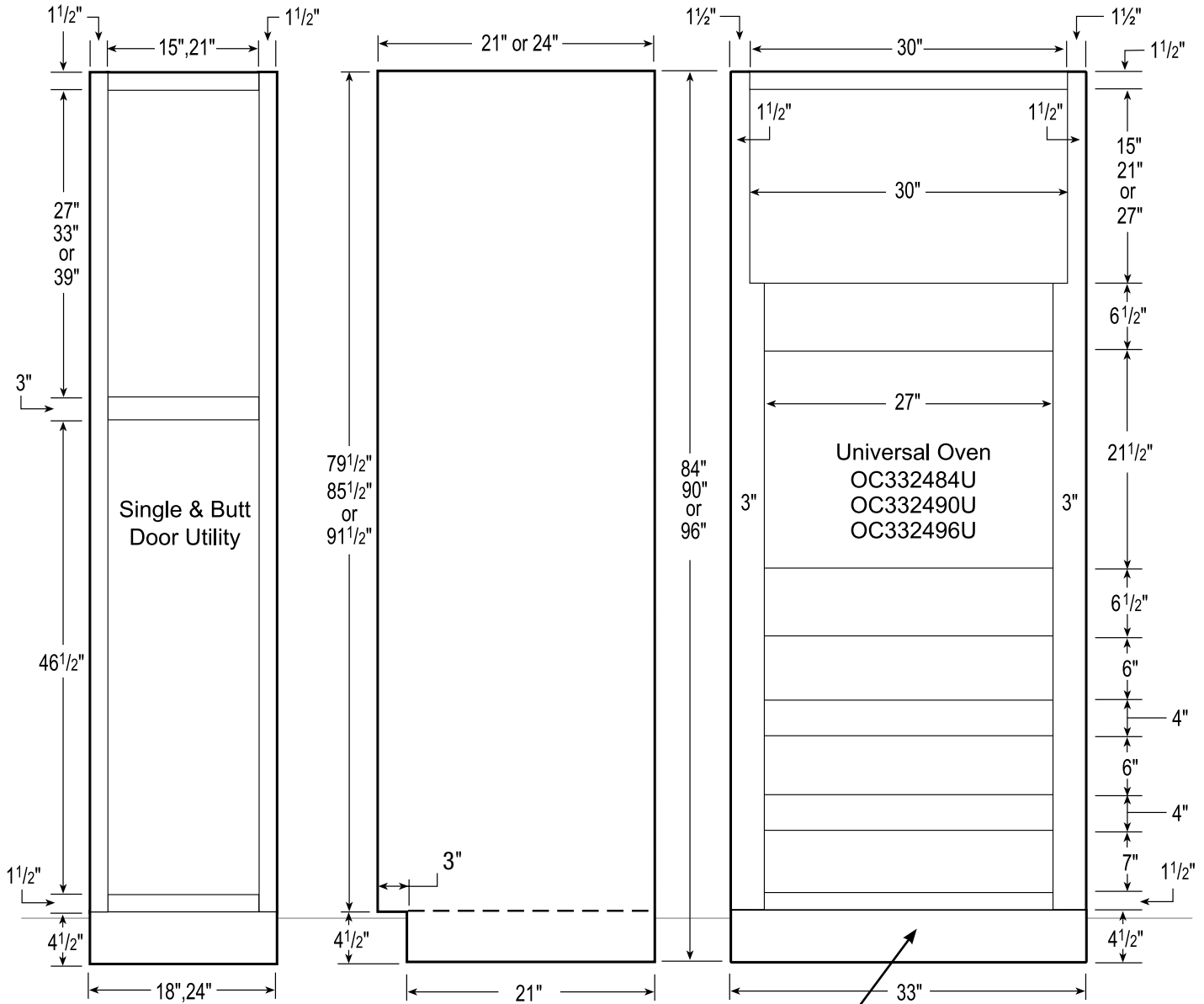


DH99-128

CABINET FRAME & OPENING DIMENSIONS

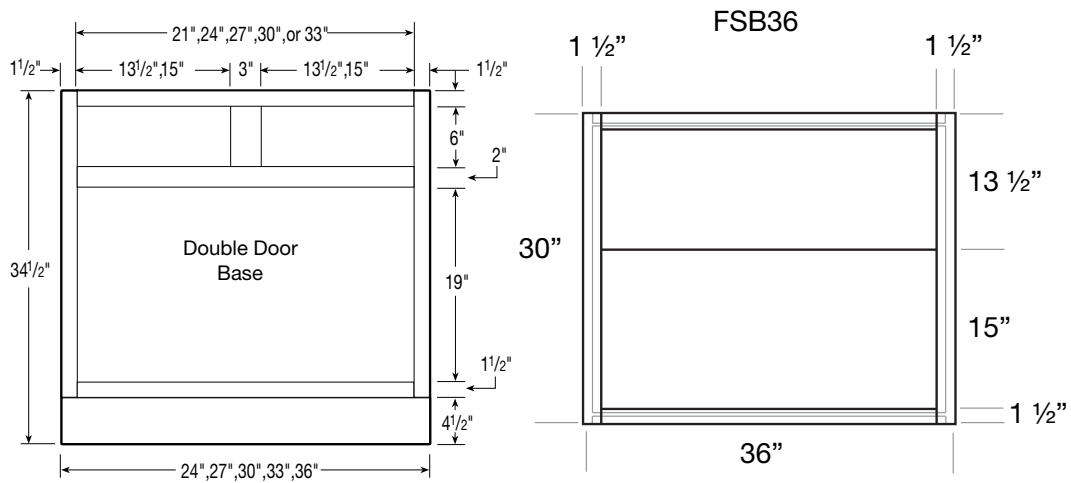


CABINET FRAME & OPENING DIMENSIONS

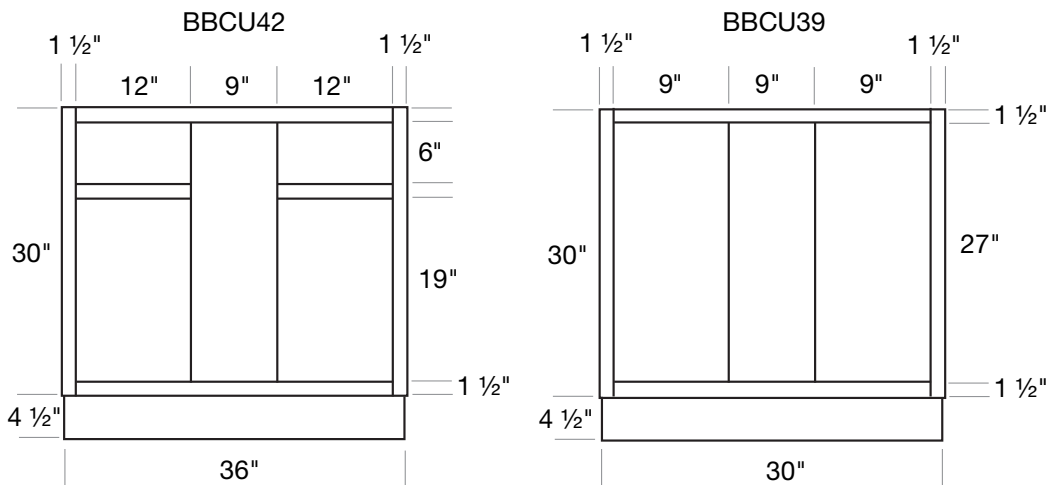


NOTE: 96" TALL CABINETS ARE SUPPLIED WITH LOOSE TOE KICK BOX (EXPOSED SIDES REQUIRE TSK96)

CABINET FRAME & OPENING DIMENSIONS



NOTE: B27, B30 have full width drawers



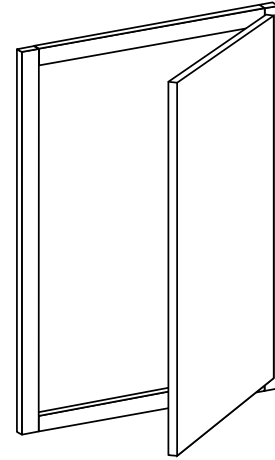
DRAWER BOX INSIDE DIMENSIONS						
CABINET	SHALLOW DRAWER			DEEP DRAWER		
	HEIGHT	DEPTH	WIDTH	HEIGHT	DEPTH	WIDTH
B12, BD12	4-3/8"	19-11/16"	6-7/8"	6-3/4"	19-11/16"	6-7/8"
VB1221, VBD1221	4-3/8"	16-11/16"	6-7/8"	6-3/4"	16-11/16"	6-7/8"
B15, BBCU42, BD15	4-3/8"	19-11/16"	9-7/8"	6-3/4"	19-11/16"	9-7/8"
VB1521, VBD1521	4-3/8"	16-11/16"	9-7/8"	6-3/4"	16-11/16"	9-7/8"
DDO15	4-3/8"	16-11/16"	9-7/8"	N/A	N/A	N/A
B18, BD18	4-3/8"	19-11/16"	12-7/8"	6-3/4"	19-11/16"	12-7/8"
DDR18	N/A	N/A	N/A	6-3/4"	16-11/16"	12-7/8"
VB1821, VBD1821	4-3/8"	16-11/16"	12-7/8"	6-3/4"	16-11/16"	12-7/8"
B21	4-3/8"	19-11/16"	15-7/8"	N/A	N/A	N/A
B24, BD24	4-3/8"	19-11/16"	18-7/8"	6-3/4"	19-11/16"	18-7/8"
VB242, VBD2421	4-3/8"	16-11/16"	18-7/8"	N/A	N/A	N/A
B27	4-3/8"	19-11/16"	21-7/8"	N/A	N/A	N/A
B30, BD30	4-3/8"	19-11/16"	24-7/8"	6-3/4"	19-11/16"	24-7/8"
VB3021	4-3/8"	16-11/16"	24-7/8"	N/A	N/A	N/A
VBD30	4-3/8"	16-11/16"	24-7/8"	6-3/4"	16-11/16"	24-7/8"
B33	4-3/8"	19-11/16"	11-1/4"	N/A	N/A	N/A
B36, BD36	4-3/8"	19-11/16"	12-7/8"	6-3/4"	19-11/16"	30-7/8"
VB3621	4-3/8"	16-11/16"	12-7/8"	N/A	N/A	N/A
OC332484U, OC332490U, OC332496U	4-3/8"	19-11/16"	24-7/8"	N/A	N/A	N/A

DECORATIVE & REPLACEMENT DOOR AND DRAWER FRONTS

Wall Cabinets

Cabinet	Front	Qty
W0930	Door0930	1
W1230	Door1230	1
W1530	Door1530	1
W1830	Door1830	1
W2130	Door2130	1
W2430	Door1230	2
W2730	Door1330	2
W3030	Door1530	2
W3330	Door1630	2
W3630	Door1830	2
W0936	Door0936	1
W1236	Door1236	1
W1536	Door1536	1
W1836	Door1836	1
W2136	Door2136	1
W2436	Door1236	2
W2736	Door1336	2
W3036	Door1536	2
W3336	Door1636	2
W3636	Door1836	2
W0942	Door0942	1
W1242	Door1242	1
W1542	Door1542	1
W1842	Door1842	1
W2142	Door2142	1

Cabinet	Front	Qty
W2442	Door1242	2
W2742	Door1342	2
W3042	Door1542	2
W3342	Door1642	2
W3642	Door1842	2
W2412	Door1212	2
W2712	Door1312	2
W3012	Door1512	2
W3312	Door1612	2
W3612	Door1812	2
W2415	Door1215	2
W2715	Door1315	2
W3015	Door1515	2
W3315	Door1615	2
W3615	Door1815	2
W2418	Door1218	2
W2718	Door1318	2
W3018	Door1518	2
W3318	Door1618	2
W3618	Door1818	2
W2424	Door1224	2
W2724	Door1324	2
W3024	Door1524	2
W3324	Door1624	2
W3624	Door1824	2



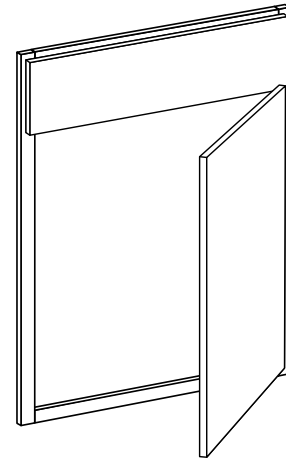
*Frame is not included.

Door fronts come with pre drilled hinge holes. Hinges are not included.

DECORATIVE & REPLACEMENT DOOR AND DRAWER FRONTS

Base Cabinets

Cabinet	Front	Qty
B12FH	Door1230	1
B15FH	Door1530	1
B18FH	Door1830	1
B21FH	Door2130	1
B24FH	Door1230	2
B27FH	Door1330	2
B30FH	Door1530	2
B33FH	Door1630	2
B36FH	Door1830	2
EZR33	Door0830	2
EZR36	Door1130	2



*Frame is not included.

Door fronts come with pre drilled hinge holes. Hinges are not included.

Cabinet	Front	Qty	Front	Qty
B12	Door1221	1	DF128	1
B15	Door1521	1	DF158	1
B18	Door1821	1	DF188	1
B21	Door2121	1	DF218	1
B24	Door1221	2	DF248	1
B27	Door1321	2	DF278	1
B30	Door1521	2	DF308	1
B33	Door1621	2	DF168	2
B36	Door1821	2	DF188	2

Cabinet	Front	Qty	Front	Qty
SB21	Door2121	1	DF218	1
SB24	Door1221	2	DF248	1
SB27	Door1321	2	DF278	1
SB30	Door1521	2	DF308	1
SB33	Door1621	2	DF168	2
SB36	Door1821	2	DF188	2
FSB36	Door1818	2		

Cabinet	Front	Qty	Front	Qty
BD12	DF128	1	DDF1210	2
BD15	DF158	1	DDF1510	2
BD18	DF188	1	DDF1810	2
BD21	DF218	1	DDF2110	2
BD24	DF248	1	DDF2410	2
BD27	DF278	1	DDF2710	2
BD30	DF308	1	DDF3010	2
BD36	DF188	2	DDF3610	2

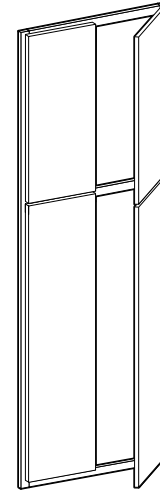
Cabinet	Front	Qty
EZR33	Door0830	2
EZR36	Door1130	2

DECORATIVE & REPLACEMENT DOOR AND DRAWER FRONTS

Tall Cabinets

Cabinet	Front	Qty	Front	Qty
U1884	Door1849	1	Door1830	1
U1890	Door1849	1	Door1836	1
U1896	Door1849	1	Door1842	1
U2484	Door1249	2	Door1230	2
U2490	Door1249	2	Door1236	2
U2496	Door1249	2	Door1242	2

Cabinet	Front	Qty	Front	Qty	Front	Qty
OC3384	Door1618	2	DF338	1	DDF3310	2
OC3390	Door1624	2	DF338	1	DDF3310	2
OC3396	Door1630	2	DF338	1	DDF3310	2



*Frame is not included.

Door fronts come with pre drilled hinge holes. Hinges are not included.

Vanity Cabinets

Cabinet	Front	Qty
VB12	Door1221	1
VB15	Door1521	1
VB18	Door1821	1
VB21	Door2121	1
VB12FH	Door1230	1
VB15FH	Door1530	1
VB18FH	Door1830	1
VB21FH	Door2130	1

Cabinet	Front	Qty	Front	Qty
VBD12	DF128	1	DDF1210	2
VBD15	DF158	1	DDF1510	2
VBD18	DF188	1	DDF1810	2
VBD24	DF248	1	DDF2410	2
VBD30	DF308	1	DDF3010	2

Cabinet	Front	Qty	Front	Qty
VLC182184	Door1849	1	Door1830	1
VLC242184	Door1249	2	Door1230	2



METROPOLITAN S E R I E S

SEMI-CUSTOM KITCHEN AND BATH CABINETS

Limited Lifetime Warranty

Ideal Cabinetry® (warrantor) warrants to the original consumer purchaser, that all products manufactured or supplied by warrantor will be free from defects in material and workmanship. This warranty is for your lifetime as long as you own the cabinetry, on product used for Residential Purposes only and is not transferable to subsequent owners. Proof of Purchase is required.

This warranty does not cover damage resulting from normal wear, accident, misuse or lack of reasonable and necessary maintenance and service; nor does it warranty the improper installation or unauthorized repair, alteration, or modification or defects in the product when the product is installed. This warranty is limited to the repair or replacement of the defective part at the sole discretion of warrantor. Warranty is limited to Home Decorators Collection Metropolitan Series branded products excluding all electrical components: Excluded items may carry separate warranties as provided directly by the of these products.

It is our option to provide repair parts or replace with functionally equivalent product. Return of product may be required for replacements. Such repair parts or replacement shall be at warrantor's expense, but customer shall bear all other expenses, including, but not limited to, cost of removal, transportation, re-installation, communication and any special service required by customer such as, overtime labor, etc.

Natural woods and finishes vary in color, grain pattern and exhibit color changes over time. Cabinets may darken or lighten with age due to exposure to certain environmental conditions including but not limited to sunlight, moisture, household cleaners, smoke, etc. Painted cabinets may show cracking at seams. These variations are considered the natural characteristics of the material and finishes and are not covered under this warranty.

In the event of a warranted product performance issue, submit request including proof of purchase documentation, specific description of warranty issue (include photos) in writing to:

Warranty Department
210 Century Boulevard
Bartow, FL 33830

Due to nature of materials and finishes Ideal Cabinetry cannot guarantee warranty replacement will be an exact match.

Ideal Cabinetry reserves the right to alter design, specifications and material without obligation to make changes to product previously manufactured.

EXCEPT TO THE EXTENT PROVIDED BY APPLICABLE LAW, ALL IMPLIED WARRANTIES, INCLUDING WARRANTIES OF MERCHANTABILITY AND FITNESS FOR A PARTICULAR PURPOSE, ARE LIMITED IN DURATION TO THE SHORTER OF THE PERIOD PROVIDED BY LAW OR THE PERIOD OF THIS WARRANTY, AND UNDER NO CIRCUMSTANCE SHALL HOME DECORATORS COLLECTION BE LIABLE FOR INCIDENTAL OR CONSEQUENTIAL DAMAGES SUSTAINED IN CONNECTION WITH THE PRODUCT. THE EXPRESS WARRANTY ABOVE CONSTITUTES THE ENTIRE WARRANTY AND IS IN LIEU OF ALL OTHERS EXPRESSED OR IMPLIED.

Some states do not allow the exclusion or limitation of incidental or consequential damages, or limitation on how long an implied warranty lasts, therefore, the above limitations or exclusions may not apply to you. This warranty gives you specific legal rights, and you may also have other rights, which vary from state to state.

INDEMNITY

Ideal Cabinetry shall not be liable for either its failure to perform or its delays in performance hereunder arising out of or resulting from causes beyond its control, including but not limited to, acts of God, acts of Representation, acts of Government, wars, fires, floods, epidemics, quarantine, strike, freight embargoes, weather or default by suppliers due to any such causes.

HOME DECORATORS COLLECTION



High Gloss White

METROPOLITAN SERIES

SEMI-CUSTOM KITCHEN & BATH CABINETS

Have Questions? Need Design Help?

 [HDCkitchens.com](https://www.HDCkitchens.com)  [homerdesigntools.com](https://www.homerdesigntools.com)  866-373-9131

Monday-Friday 9 A.M. to 6 P.M. EST

May 2024

Instant Kitchen Estimator



KCMA



CARB2 compliant



HDC-METRO-SPECBOOK-0524