

HOME
DECORATORS
COLLECTION

KITCHEN & BATH CABINETS

Semi Custom | Ships in 7-10 Days



Grayson Pacific White



SPECIFICATION GUIDE

Ships in 7-10 Days | Plywood Cabinetry | Soft Close Doors & Drawers
Factory Built in the USA | Limited Lifetime Warranty

For use with 20/20 catalogs: HOME_DEC, HOME_DC2

HDCKitchens.com 866-373-9131

HDCKitchens.com



HomerDesignTools.com



Exclusively at



INTRODUCING 2 NEW PRODUCTS TO MAXIMIZE STORAGE & COUNTERTOP SPACE!

To enable you to design even more beautiful and functional spaces here are a few highlights introducing our Spring 2024 new releases.



Microwave Oven Base Cabinet

Designed to hold a microwave oven, providing you significantly more open countertop space. The Microwave Oven Base Cabinet comes with a matching interior and a fixed shelf designed for built-in microwaves with optional trim kits. Plus, with a large, deep, full extension drawer with soft close operation and the capacity to hold up to 90 pounds you maximize storage space. Available in 2 cabinet widths, 24" & 30" for easy placement in your kitchen layouts.

Details on Page 43



Easy Reach Corner Wall Cabinet

Designed to maximize storage space and keep everything within easy reach...with no unreachable back corner for items to slide into. Multiple shelves with adjustable height options allow for customized storage options. Available in two widths, 21" and 24" and three heights, 30", 36" and 42".

Details on Page 12

TABLE OF CONTENTS



Washington Vesper White



Grayson Mythic Blue

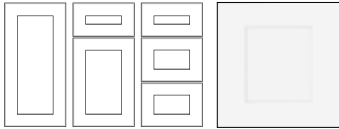
| | |
|---|-------|
| Door Styles | 1-2 |
| Cabinet Construction..... | 3 |
| Customization Options | 4 |
| Matching Interior Options..... | 5 |
| Style Tips | 6-7 |
| Wall Cabinets | 8-28 |
| Base Cabinets | 29-46 |
| Tall Cabinets | 47-61 |
| Vanity Cabinets..... | 62-69 |
| Accessories..... | 70-78 |
| Decorative Molding | 79-83 |
| (includes crowns and light rails) | |
| Decorative Hardware | 84-85 |
| (includes handles & knobs) | |
| Cabinet Frame & Opening Dimensions | 86-88 |
| Decorative & Replacement Door and Drawer Fronts | 89-91 |

PLEASE NOTE: Line drawings are artistic representations of products for general dimensioning purposes. These should not be relied upon for accurate product appearance. Please consult the website or a designer if you have any questions or specific design requirements.

SHAKER DOOR STYLES

Newport Pacific White (NPW)

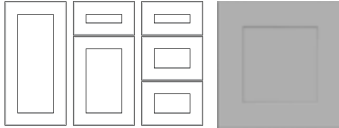
White painted finish



- 3/4" thick x 3" wide MDF Shaker framed doors with 5/8" thick solid MDF center panels
- 3/4" thick x 3" wide MDF Shaker framed drawer fronts with 5/8" thick solid MDF center panels
- Soft close hinges & full extension drawers with soft close
- Decorative hardware required
- Available with glass doors or no door cabinets

Tremont Pearl Gray (TPG)

Gray painted finish



- 3/4" thick x 3" wide MDF Shaker framed doors with 5/8" thick solid MDF center panels
- 3/4" thick x 3" wide MDF Shaker framed drawer fronts with 5/8" thick solid MDF center panels
- Soft close hinges & full extension drawers with soft close
- Decorative hardware required
- Available with glass doors or no door cabinets

Newport Blended Cream (NBC)

Cream painted finish



- 3/4" thick x 3" wide MDF Shaker framed doors with 5/8" thick Solid MDF center Panels
- 3/4" thick x 3" wide MDF Shaker framed drawer fronts with 5/8" thick Solid MDF center Panels
- Soft close hinges & full extension drawers with soft close
- Decorative hardware required
- Available with glass doors or no door cabinets

Newport Deep Onyx (NDO)

Deep Onyx painted finish



- 3/4" thick x 3" wide MDF Shaker framed doors with 5/8" thick Solid MDF center Panels
- 3/4" thick x 3" wide MDF Shaker framed drawer fronts with 5/8" thick Solid MDF center Panels
- Soft close hinges & full extension drawers with soft close
- Decorative hardware required
- Available with glass doors or no door cabinets

Newport Mythic Blue (NMB)

Blue painted finish



- 3/4" thick x 3" wide MDF Shaker framed doors with 5/8" thick Solid MDF center Panels
- 3/4" thick x 3" wide MDF Shaker framed drawer fronts with 5/8" thick Solid MDF center Panels
- Soft close hinges & full extension drawers with soft close
- Decorative hardware required
- Available with glass doors or no door cabinets

Hargrove Cinnamon (HCN)

Cinnamon stain finish



- 3/4" thick x 3" wide solid maple Shaker mortise and tenon framed doors with 5/8" thick veneer over MDF recessed center panels
- 3/4" thick x 3" wide solid maple Shaker mortise and tenon framed drawer fronts with 5/8" thick veneer over MDF recessed center panels
- Soft close hinges & full extension drawers with soft close
- Decorative hardware required
- Available with glass doors or no door cabinets

Franklin Manganite (FMG)

Mocha stain finish



- 3/4" thick x 3" wide solid maple Shaker mortise and tenon framed doors with 5/8" thick veneer over MDF recessed center panels
- 3/4" thick x 3" wide solid maple Shaker mortise and tenon framed drawer fronts with 5/8" thick veneer over MDF recessed center panels
- Soft close hinges & full extension drawers with soft close
- Decorative hardware required
- Available with glass doors or no door cabinets

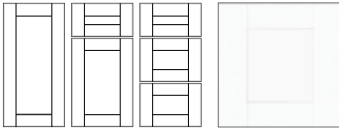
All of our painted door styles feature solid wood painted face frames. As with any painted wood surface, expansion and contraction with changes in climate may cause fractures in the paint surface at joints. This is an acceptable characteristic and will vary based on climate conditions. In addition, there may be a slight color shift over time due to continued exposure to both natural and artificial light.

Full Overlay cabinetry is constructed from various pieces of solid wood and wood veneers. Differences in grain pattern and color should be expected. Color differences in wood are the result of variations in minerals found in the soil native to the tree's origin. Absorption of these minerals will vary by tree or parts of said tree. In addition, color changes can be experienced due to different exposure to light. All species of wood will display characteristics such as knots, pinholes, sap runs, mineral streaks and darkening with age. It is the natural beauty of wood to exhibit these characteristics and they will be present throughout your cabinetry.

SHAKER DOOR STYLES

Washington Vesper White (WVW)

White Thermofoil Finish

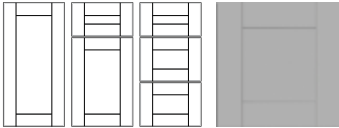


- 3/4" thick x 3" vinyl clad MDF recessed panel doors with flat melamine back
- 3/4" thick x 3" vinyl clad MDF recessed panel drawer fronts with flat melamine back

- Soft close hinges & full extension drawers with soft close
- Decorative hardware required
- Not available with glass doors
- Available with no door cabinets

Washington Veiled Gray (WVG)

Gray Thermofoil Finish



- 3/4" thick x 3" vinyl clad MDF recessed panel doors with flat melamine back
- 3/4" thick x 3" vinyl clad MDF recessed panel drawer fronts with flat melamine back

- Soft close hinges & full extension drawers with soft close
- Decorative hardware required
- Not available with glass doors
- Available with no door cabinets

Washington Vessel Blue (WVB)

Blue Thermofoil Finish



- 3/4" thick x 3" vinyl clad MDF recessed panel doors with flat white melamine back
- 3/4" thick x 3" vinyl clad MDF recessed panel drawer fronts with flat white melamine back

- Soft close hinges & full extension drawers with soft close
- Decorative hardware required
- Not available with glass doors
- Available with no door cabinets

RAISED PANEL SHAKER DOOR STYLES

Grayson Pacific White (GPW)

White painted finish



- 3/4" thick x 3" wide MDF Shaker framed doors with 5/8" thick solid MDF raised center panels
- 3/4" thick x 3" wide MDF Shaker framed drawer fronts with 5/8" thick solid MDF raised center panels
- Soft close hinges & full extension drawers with soft close

- Decorative hardware required
- Available with glass doors or no door cabinets
- 9" wide and smaller doors will not feature a raised center panel

Grayson Pearl Gray (GPG)

Gray painted finish



- 3/4" thick x 3" wide MDF Shaker framed doors with 5/8" thick solid MDF raised center panels
- 3/4" thick x 3" wide MDF Shaker framed drawer fronts with 5/8" thick solid MDF raised center panels
- Soft close hinges & full extension drawers with soft close

- Decorative hardware required
- Available with glass doors or no door cabinets
- 9" wide and smaller doors will not feature a raised center panel

Grayson Deep Onyx (GDO)

Deep Onyx painted finish



- 3/4" thick x 3" wide MDF Shaker framed doors with 5/8" thick solid MDF raised center panels
- 3/4" thick x 3" wide MDF Shaker framed drawer fronts with 5/8" thick solid MDF raised center panels
- Soft close hinges & full extension drawers with soft close

- Decorative hardware required
- Available with glass doors or no door cabinets
- 9" wide and smaller doors will not feature a raised center panel

Grayson Mythic Blue (GMB)

Blue painted finish

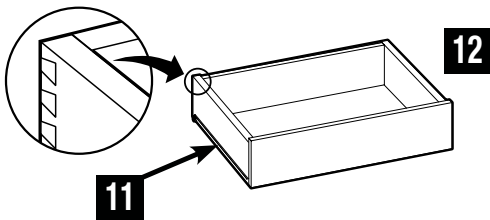
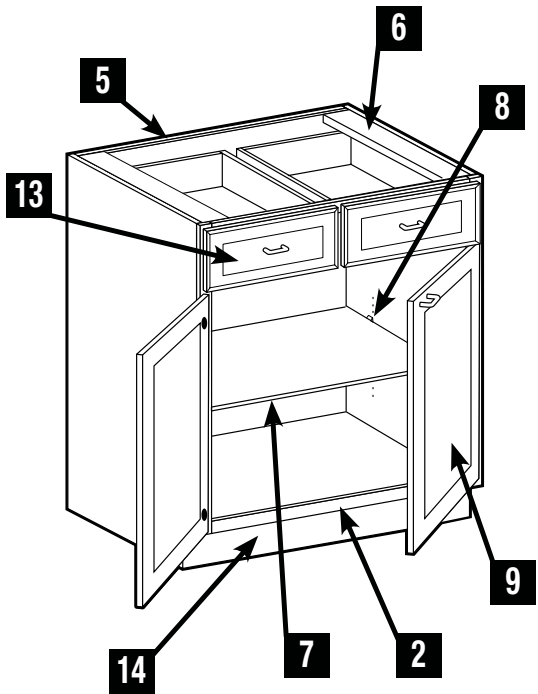
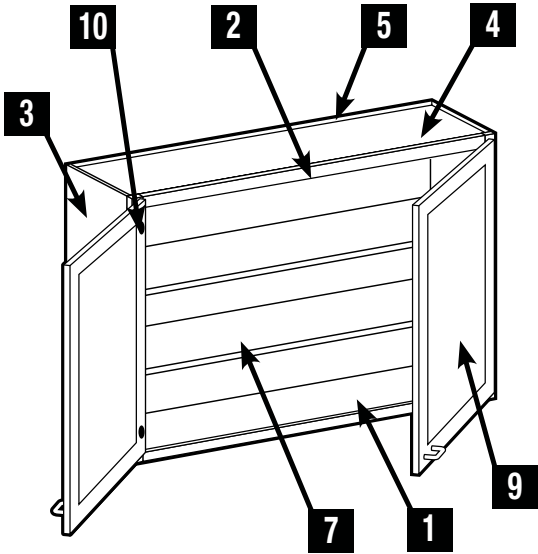


- 3/4" thick x 3" wide MDF Shaker framed doors with 5/8" thick solid MDF raised center panels
- 3/4" thick x 3" wide MDF Shaker framed drawer fronts with 5/8" thick solid MDF raised center panels
- Soft close hinges & full extension drawers with soft close

- Decorative hardware required
- Available with glass doors or no door cabinets
- 9" wide and smaller doors will not feature a raised center panel

Photography is for illustration purposes. Actual colors may vary slightly due to the printing process. We recommend ordering a sample door to see the color and finish you like for yourself.

STANDARD CABINET CONSTRUCTION



| | | |
|-----------|-------------------------------------|---|
| 1 | INTERIOR | Natural birch vinyl laminate provides a durable, wipe clean finish. |
| 2 | FACE FRAME | 1½" wide x 3/4" thick solid hardwood pocket screwed. |
| 3 | END PANELS | 1/2" thick CARB2 plywood, exterior vinyl laminate is color matched to the face frame. |
| 4 | FLOOR & CEILING | 1/2" thick CARB2 plywood, both sides captured by end panels. |
| 5 | BACK PANELS | 1/2" thick CARB2 plywood with natural birch vinyl laminate interior and raw exterior. The 'clipped' back panels on Wall Angle and Easy Reach Corner cabinets will be 1/4" plywood. |
| 6 | "I-BEAM" SUPPORTS | 1/2" thick CARB2 plywood, full depth braces provide stability and support for countertop attachment. |
| 7 | ADJUSTABLE SHELVES | 3/4" thick CARB2 plywood finished with natural birch vinyl laminate and matching edgebanding. Base and wall adjustable shelves are full depth. 75 lb. weight capacity |
| 8 | SHELF SUPPORTS | Clear, high strength plastic with locking top tab to prevent shelf tip. Provides easy shelf adjustment. |
| 9 | DOORS | Stylish, full-overlay doors available in stained hardwoods or MDF. See pages 1-2 for details. |
| 10 | HINGES | Fully concealed 110° opening Soft Close hinges with 6-way adjustment for ease of alignment. |
| 11 | RUNNERS | Drawers and Roll-Out Trays feature smooth glide, full extension, soft close, under mounted runners that engage when 1" from closed. Runners are rated for 90 lb. dynamic loads. |
| 12 | DRAWERS & ROLL-OUT TRAYS | 5/8" thick finger jointed hardwood four sided dovetail box construction, finished with a clear top coat and a 1/4" thick captured plywood floor. 90 lb. weight capacity |
| 13 | DRAWER FRONTS | Stylish full overlay drawer fronts available in solid hardwood or MDF. See pages 1-2 for details. For base kitchen and vanity cabinets, the top drawer front is 8" high & bottom two drawer fronts are 10 1/2" high |
| 14 | INTEGRAL TOE KICK | 1/2" thick plywood secured between end panels. Provides solid backing for installation of Matching Toe Kick (MTK8) or other materials such as ceramic, vinyl, etc. |



FINISHED END OPTIONS



1. All Cabinet Sides are manufactured from ½” thick CARB2 compliant plywood covered with a vinyl laminate which is color-matched to the face frame and doors.



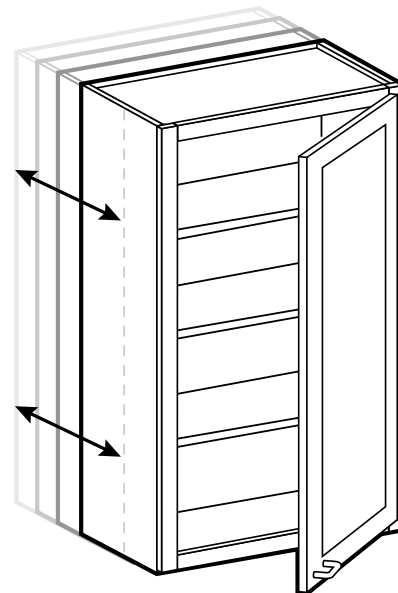
2. Optional Matching End Panels are ¾” thick overlay panels that match the construction of the door style selected. They are available for standard depth base cabinets (MBEP) and standard depth wall cabinets in three heights (MWEP30, MWEP36, MWEP42). Matching End Panels are packaged separately for field installation. Detailed specs for these items can be found on page 74.

CUSTOM DEPTH

- Available on standard cabinet types in 1" depth increments
- Base cabinets with drawers that are customized from 15" to 23" deep will include working drawers. 9" to 14" deep cabinets will have no drawer and a false drawer front.
- Vanity cabinets can be customized by selecting the standard base version. For example: select BD18 instead of a VBD1821 and customize the depth.
- Custom Depth changes need to be added to the cabinet before the order is placed. This can be done in your design program or in the shopping cart.

C Custom Depth

| CABINET TYPE | CUSTOM DEPTH MIN-MAX |
|--------------------|----------------------|
| 12" DEEP WALL | 5" to 15" |
| 24" DEEP WALL | 16" to 23" |
| STANDARD BASE* | 9" to 23" |
| BASE DRAWER* | 15" to 23" |
| TALL UTILITY/LINEN | 9" to 23" |



MATCHING INTERIOR OPTIONS



Wall Cabinets prepared for glass (PFG)

Found on pages 16-21

- Wall cabinets traditional door frames will be routed and prepared for clear glass (PFG).
- Clear glass panels will be furnished cut to size and will ship separately, direct to the ship-to address, for field installation
- It is recommended that the glass panels be installed with clear silicone
- PFG cabinet interiors will automatically be finished to match the face frame color, including adjustable shelves
- Not available in WVB/WVG/WWV door styles



Wall Cabinets with no doors (ND)

Found on pages 22-27



Base Cabinets with no doors (ND)

Found on pages 45

- 'No Door' cabinet interiors and shelves will be finished to match the face frame color
- Shelf adjustment holes will be visible on the back wall and side walls of the cabinet interior



Tall Cabinets prepared for glass (PFG) Found on pages 54-58

- Not available in WVB/WVG/WWV door styles.

Vanity linen Cabinets prepared for glass (PFG) Found on pages 68

- Tall Utility/Vanity Linen cabinets – only the upper door frames will be routed and prepped for clear glass (PFG)
- Matching Interior shelves are only supplied for the upper portion of the cabinet, where the PFG doors are located when roll out trays are indicated
- Lower portion will have solid finger jointed hardwood roll out trays if roll out trays are indicated
- Standard Base, Vanity Base, and lower doors on Tall cabinets are not available Prepped For Glass as a safety precaution
- Not available in WVB/WVG/WWV door styles



Tall Cabinets with no doors (ND)

Found on pages 59-60

Vanity linen Cabinets with no doors (ND)

Found on pages 69



Newport Mythic Blue and Newport Pacific White

Add a new level to your island by using desk height cabinets. These are good for baking area's or kids work spaces. To create the decorative panel look on the side of unique spaces, you can use our fillers and cut them to fit on the job site.



Newport Deep Onyx

Turn your laundry room into a room you enjoy being in! Add a large sink and drawers for easy clean-up and storage. Open shelves give easy access and an open feel to your new space.



Newport Blended Cream

Make wall storage open and airy using No Door (ND) cabinets and glass door cabinets (PFG) together with standard wall cabinets. These cabinets are available in all wall cabinet sizes we offer, so get creative!

STYLE TIPS



To create the apron under the countertop turn fillers horizontally and cut to fit on the job site.



Want countertop storage that is behind closed doors? Use wall bridge cabinets in 18" high, placed under standard wall cabinets to create this space. You can add dimension to your kitchen by making these cabinets 15" deep, and gain extra storage as well! No door bridge cabinets can help create an open feel to your space. Placing these above a baking area or desk area can give easy access to cookbooks, mixing bowls or nice décor! Make sure to purchase a skin to conceal any seams.

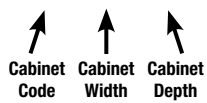


Using a full height door cabinet for your sink base can add a modern twist to your traditional kitchen. Make your new kitchen transitional!

WALL CABINET CODING

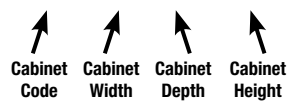
STANDARD (12" DEEP)

W 30 30



REFRIGERATOR (24" DEEP)

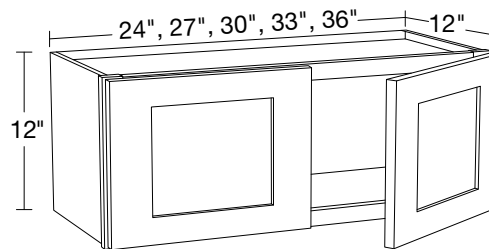
W 36 24 18



- All wall cabinets are 12" deep unless otherwise noted. Actual height of 24" high cabinets is 23½" overall. Refrigerator wall cabinets are 24" deep.
- Cabinet depth does not include door thickness
- Products are available in all door styles unless stated otherwise
- Standard cabinet exterior sides are color matched to face frame
- Soft close hinges unless stated otherwise

12" High Double Door

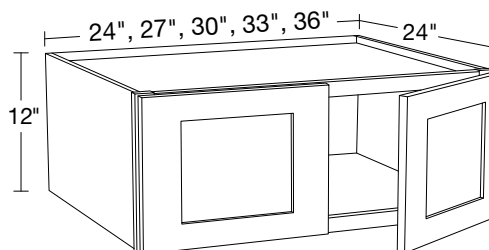
- No adjustable shelf
- **CUSTOM DEPTH: 5" to 15" deep**



W2412
W2712
W3012
W3312
W3612

12" High x 24" Deep Double Door

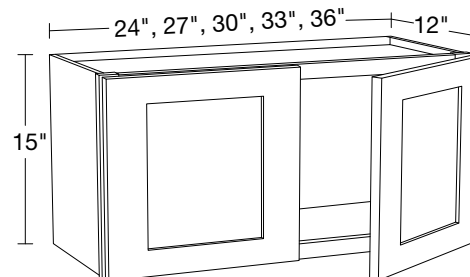
- No adjustable shelf
- Must be supported from back and both sides
- **CUSTOM DEPTH: 16" to 23" deep**



W242412
W272412
W302412
W332412
W362412

15" High Double Door

- No adjustable shelf
- **CUSTOM DEPTH: 5" to 15" deep**

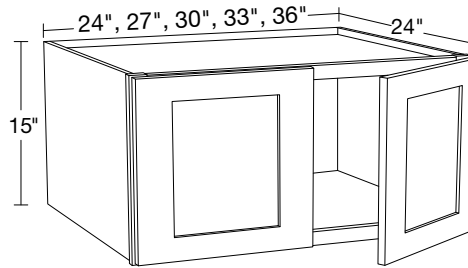


W2415
W2715
W3015
W3315
W3615

WALL CABINETS

15" High x 24" Deep Double Door

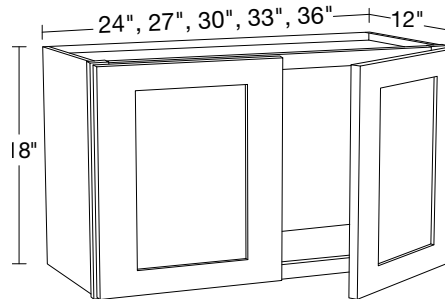
- No adjustable shelf
- Must be supported from back and both sides
- **CUSTOM DEPTH: 16" to 23" deep**



W242415
W272415
W302415
W332415
W362415

18" High Double Door

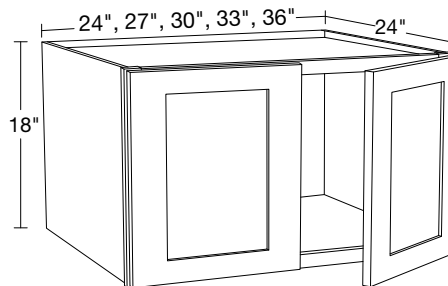
- No adjustable shelf
- **CUSTOM DEPTH: 5" to 15" deep**



W2418
W2718
W3018
W3318
W3618

18" High x 24" Deep Double Door

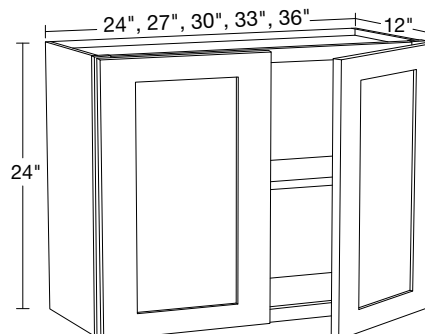
- No adjustable shelf
- Must be supported from back and both sides
- **CUSTOM DEPTH: 16" to 23" deep**



W242418
W272418
W302418
W332418
W362418

24" High Double Door

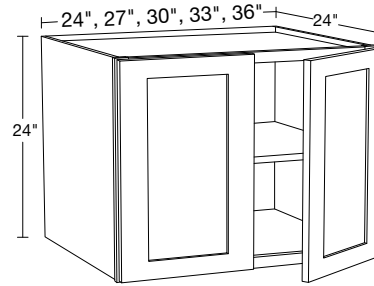
- One adjustable shelf
- **CUSTOM DEPTH: 5" to 15" deep**



W2424
W2724
W3024
W3324
W3624

24" High x 24" Deep Double Door

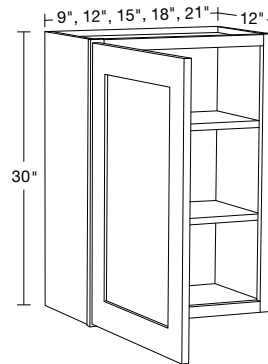
- One adjustable shelf
- Must be supported from back and both sides
- **CUSTOM DEPTH: 16" to 23" deep**



W242424
W272424
W302424
W332424
W362424

30" High Single Door

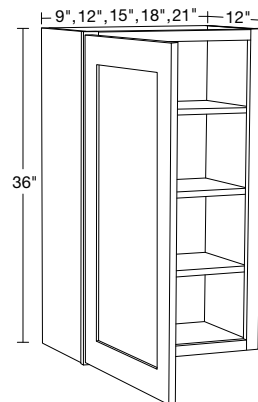
- Two adjustable shelves
- 9" Wide G-Door styles will not feature a raised center panel
- Specify Right or Left hinge, Left hinge shown
- **CUSTOM DEPTH: 5" to 15" deep**



W0930
W1230
W1530
W1830
W2130

36" High Single Door

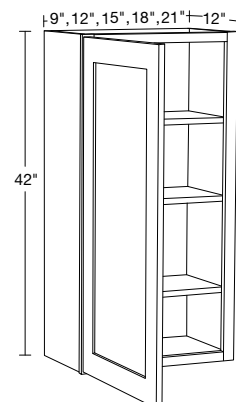
- Three adjustable shelves
- 9" Wide G-Door styles will not feature a raised center panel
- Specify Right or Left hinge, Left hinge shown
- **CUSTOM DEPTH: 5" to 15" deep**



W0936
W1236
W1536
W1836
W2136

42" High Single Door

- Three adjustable shelves
- 9" Wide G-Door styles will not feature a raised center panel
- Specify Right or Left hinge, Left hinge shown
- **CUSTOM DEPTH: 5" to 15" deep**



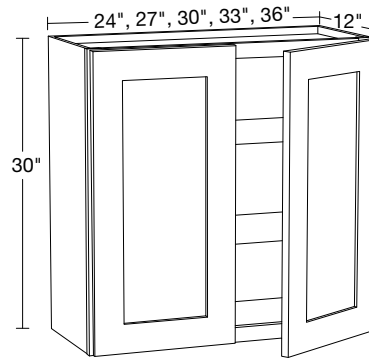
W0942
W1242
W1542
W1842
W2142

WALL CABINETS

30" High Double Door

- Two adjustable shelves
- **CUSTOM DEPTH: 5" to 15" deep**

A C

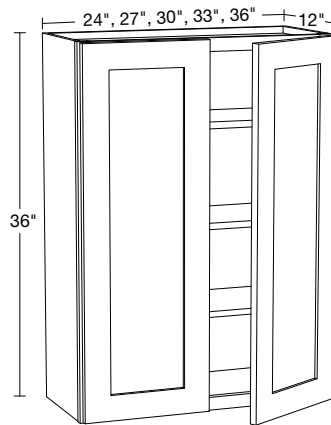


W2430
W2730
W3030
W3330
W3630

36" High Double Door

- Three adjustable shelves
- **CUSTOM DEPTH: 5" to 15" deep**

A C

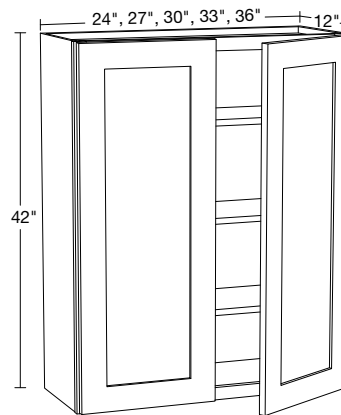


W2436
W2736
W3036
W3336
W3636

42" High Double Door

- Three adjustable shelves
- **CUSTOM DEPTH: 5" to 15" deep**

A C

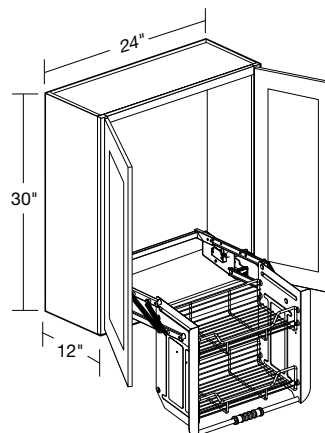


W2442
W2742
W3042
W3342
W3642

30" High Double Door with Pull Down Chrome Shelves

- **Field install at desired height in cabinet**
- Two tier chrome shelves lowers 10" and brings items forward 14³/₄"
- Gas assisted mechanism smoothly raises and lowers unit
- Locking arm feature holds shelf in down position
- No adjustable shelf

F



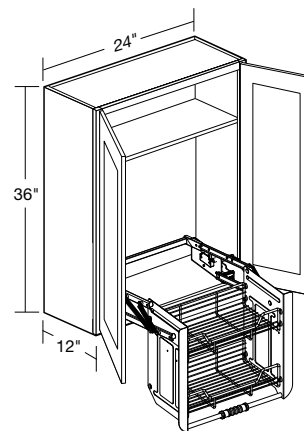
W2430-PDSCR

36" High Double Door with Pull Down Chrome Shelves

W2436-PDSCR

- Field install at desired height in cabinet
- Two tier chrome shelves lowers 10" and brings items forward 14¾"
- Gas assisted mechanism smoothly raises and lowers unit
- Locking arm feature holds shelf in down position
- One adjustable shelf

F A

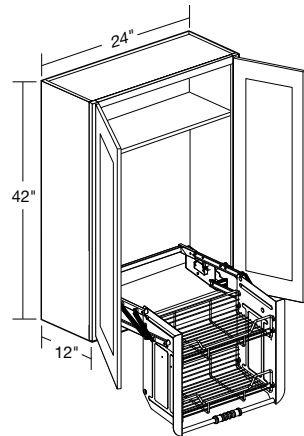


42" High Double Door with Pull Down Chrome Shelves

W2442-PDSCR

- Field install at desired height in cabinet
- Two tier chrome shelves lowers 10" and brings items forward 14¾"
- Gas assisted mechanism smoothly raises and lowers unit
- Locking arm feature holds shelf in down position
- One adjustable shelf

F A

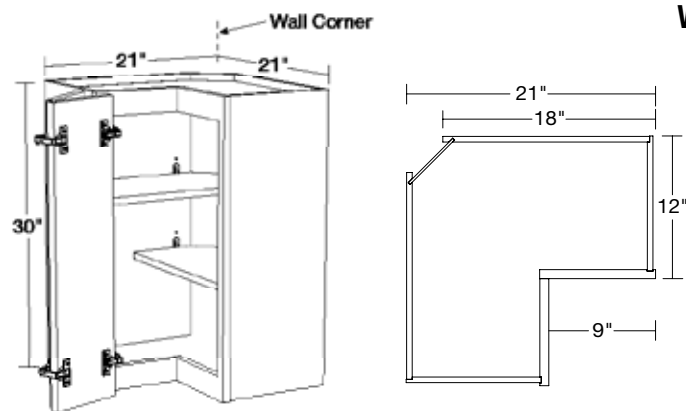


21" Wall EZ Reach

WEZR2130

- Two straight adjustable shelves
- Bi-fold style door allows full access to the entire cabinet interior
- Clip corner back is 1/4" plywood
- Specify Right or Left hinge, Left hinge shown

A H



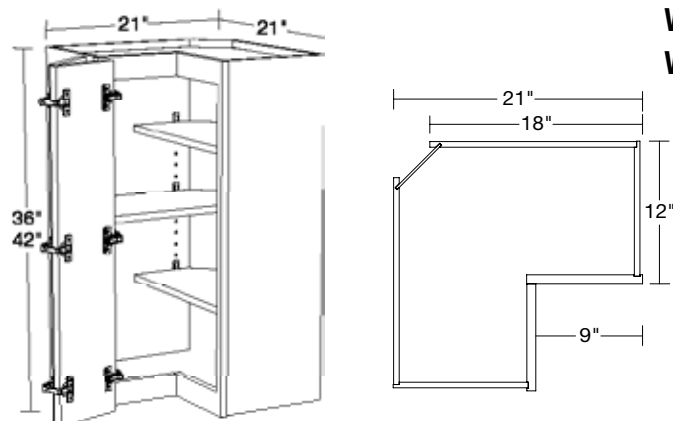
21" Wall EZ Reach

WEZR2136

WEZR2142

- Three straight adjustable shelves
- Bi-fold style door allows full access to the entire cabinet interior
- Clip corner back is 1/4" plywood
- Specify Right or Left hinge, Left hinge shown

A H

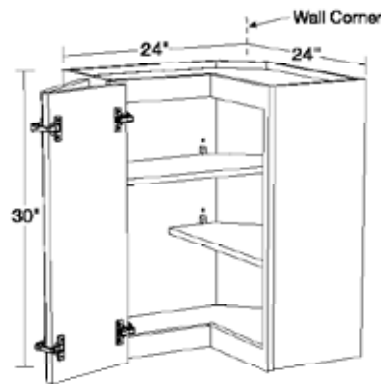


WALL CABINETS

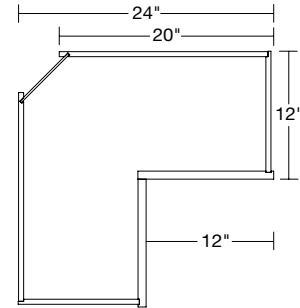
24" Wall EZ Reach

- Two straight adjustable shelves
- Bi-fold style door allows full access to the entire cabinet interior
- Clip corner back is 1/4" plywood
- Specify Right or Left hinge, Left hinge shown

A H



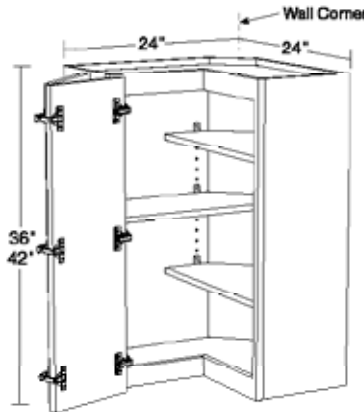
WEZR2430



24" Wall EZ Reach

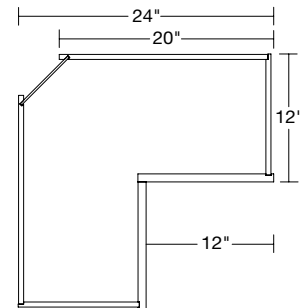
- Three straight adjustable shelves
- Bi-fold door allows full access to the entire cabinet interior
- Clip corner back is 1/4" plywood
- Specify Right or Left hinge, Left hinge shown

A H



WEZR2436

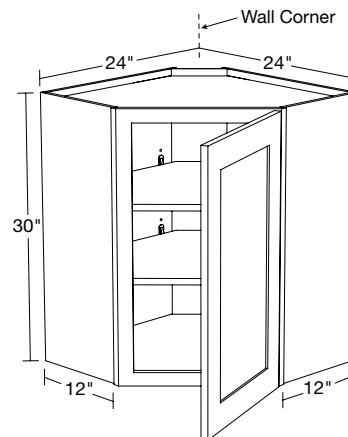
WEZR2442



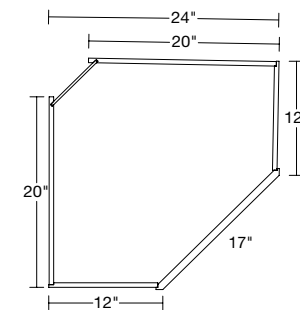
30" High Wall Angle

- Two adjustable shelves
- Clip corner back provides clearance for installation
- Clip corner back is 1/4" plywood
- Specify Right or Left hinge, Right hinge shown

A H



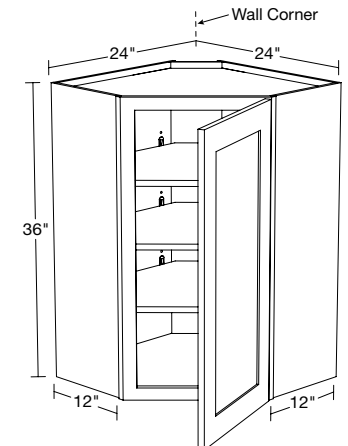
WA2430



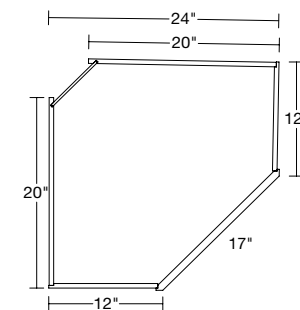
36" High Wall Angle

- Three adjustable shelves
- Clip corner back provides clearance for installation
- Clip corner back is 1/4" plywood
- Specify Right or Left hinge, Right hinge shown

A H



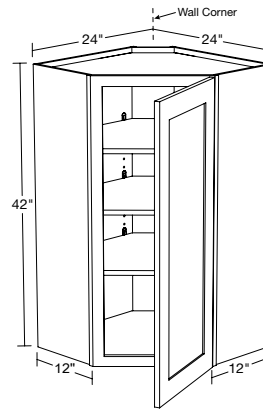
WA2436



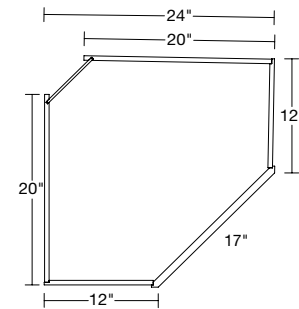
42" High Wall Angle

- Three adjustable shelves
- Clip corner back provides clearance for installation
- Clip corner back is 1/4" plywood
- Specify Right or Left hinge, Right hinge shown

A H



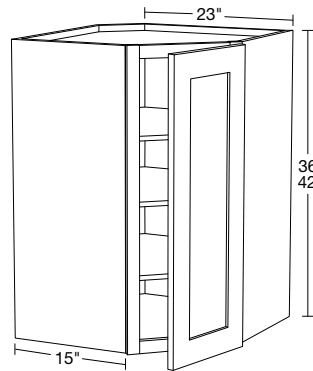
WA2442



36" and 42" High x 15" Deep Wall Angle

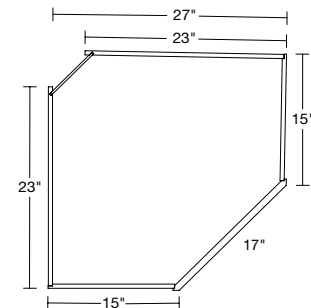
- Three adjustable shelves
- Clip corner back provides clearance for installation
- Clip corner back is 1/4" plywood
- Specify Right or Left hinge, Right hinge shown

A H



WA271536

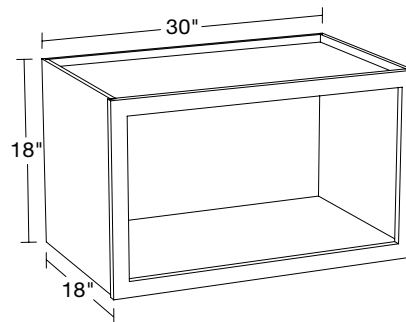
WA271542



Wall Microwave Cabinet

- Matching interior and exterior sides standard
- Best installed between two cabinets or cabinet and wall if possible
- Cannot be installed against Wall Angle cabinet (WA) or Wall Blind Corner Unit (WBCU)

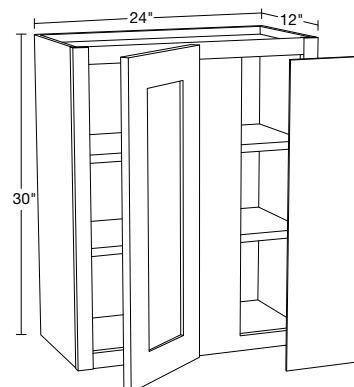
WMC301818ND



30" High Wall Blind Corner

- Two adjustable shelves
- Cabinet can be pulled for exact fit (see installation guide)
- 3" wide filler included
- 3 3/4" wide blind closure panel included - field installed
- Door width is 11-3/4"
- Specify Right or Left hinge, Right hinge shown
- Specify Right or Left blind, Right blind shown
- CUSTOM DEPTH: 5" to 15" deep

F A H C

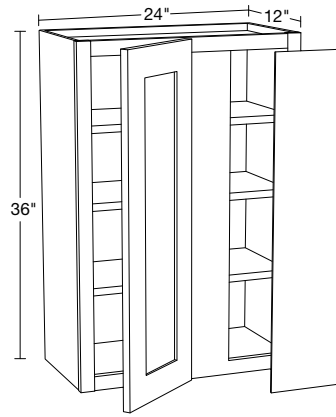


WBCU2730

WALL CABINETS

36" High Wall Blind Corner

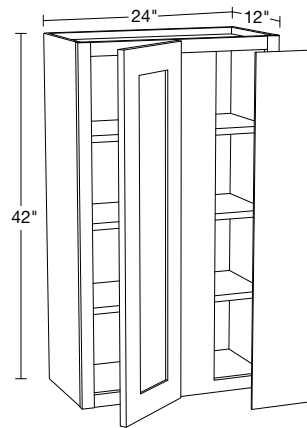
- Three adjustable shelves
- Cabinet can be pulled for exact fit (see installation guide)
- 3" wide filler included
- 3 ¾" wide blind closure panel included - field installed
- Door width is 11-3/4"
- Specify Right or Left hinge, Right hinge shown
- Specify Right or Left blind, Right blind shown
- CUSTOM DEPTH: 5" to 15" deep



WBCU2736

42" High Wall Blind Corner

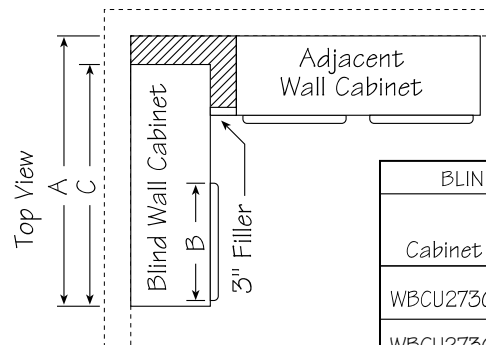
- Three adjustable shelves
- Cabinet can be pulled for exact fit (see installation guide)
- 3" wide filler included
- 3 ¾" wide blind closure panel included - field installed
- Door width is 11-3/4"
- Specify Right or Left hinge, Right hinge shown
- Specify Right or Left blind, Right blind shown
- CUSTOM DEPTH: 5" to 15" deep



WBCU2742

Blind Corner Installation Guide

*Gray area represents empty space. Cabinet is designed to be pulled for exact space.

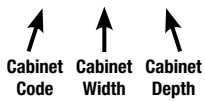


| BLIND WALL INSTALLATION GUIDE | | | | |
|-------------------------------|----------------|-----|---------------|-----------|
| Cabinet | Wall Space "A" | | Frame Opening | Cabinet |
| | Min | Max | Width "B" | Width "C" |
| WBCU2730 | 25" | 30" | 8 7/8" | 24" |
| WBCU2736 | 25" | 30" | 8 7/8" | 24" |
| WBCU2742 | 25" | 30" | 8 7/8" | 24" |

WALL CABINET CODING

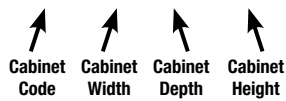
STANDARD (12" DEEP)

W 30 30



REFRIGERATOR (24" DEEP)

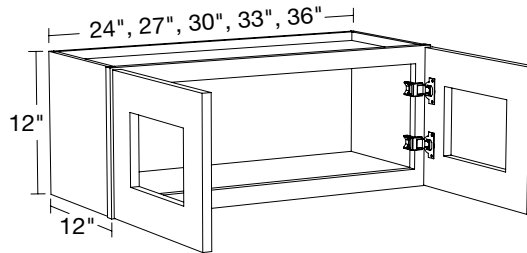
W 36 24 18



- Standard wall cabinets are 12" deep. Refrigerator wall cabinets are 24" deep.
- Cabinet depth does not include door thickness
- Not available in WWW, WVG or WVB
- Standard cabinet exterior sides are color matched to face frame
- Clear glass ships separate from cabinets
- Matching interiors are standard in PFG cabinets
- Soft close hinges
- **Shelf adjustment holes on the interior sides and back of cabinets will be visible**

12" High Double Door

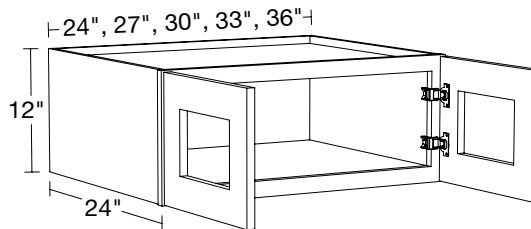
- No adjustable shelf
- CUSTOM DEPTH: 5" to 15" deep



W2412PFG
W2712PFG
W3012PFG
W3312PFG
W3612PFG

12" High x 24" Deep Double Door

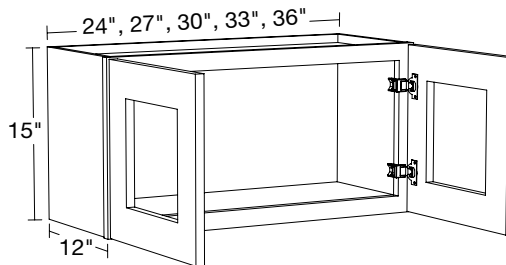
- No adjustable shelf
- Must be supported from back and both sides
- CUSTOM DEPTH: 16" to 23" deep



W242412PFG
W272412PFG
W302412PFG
W332412PFG
W362412PFG

15" High Double Door

- No adjustable shelf
- CUSTOM DEPTH: 5" to 15" deep



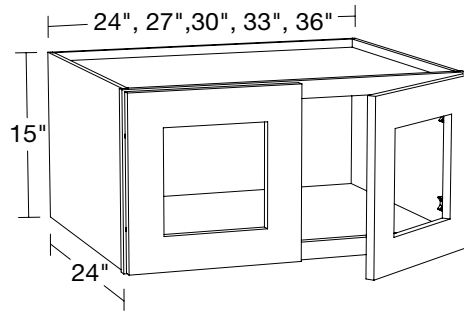
W2415PFG
W2715PFG
W3015PFG
W3315PFG
W3615PFG

WALL CABINETS WITH GLASS DOORS

15" High x 24" Deep Double Door

- No adjustable shelf
- Must be supported from back and both sides
- CUSTOM DEPTH: 16" to 23" deep

C

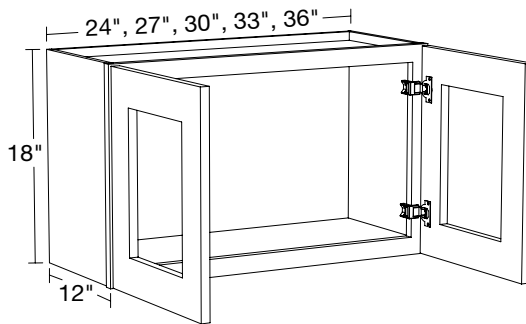


W242415PFG
W272415PFG
W302415PFG
W332415PFG
W362415PFG

18" High Double Door

- No adjustable shelf
- CUSTOM DEPTH: 5" to 15" deep

C

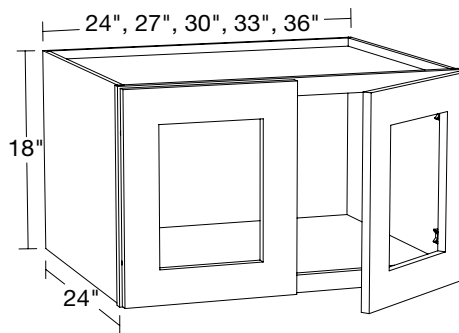


W2418PFG
W2718PFG
W3018PFG
W3318PFG
W3618PFG

18" High x 24" Deep Double Door

- No adjustable shelf
- Must be supported from back and both sides
- CUSTOM DEPTH: 16" to 23" deep

C

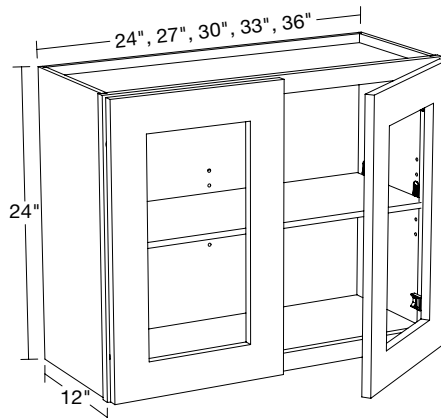


W242418PFG
W272418PFG
W302418PFG
W332418PFG
W362418PFG

24" High Double Door

- One adjustable shelf that matches cabinet interior finish
- CUSTOM DEPTH: 5" to 15" deep

A C

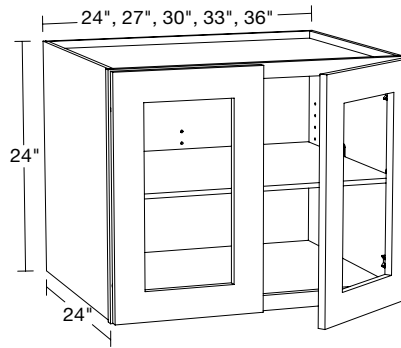


W2424PFG
W2724PFG
W3024PFG
W3324PFG
W3624PFG

WALL CABINETS WITH GLASS DOORS

24" High x 24" Deep Double Door

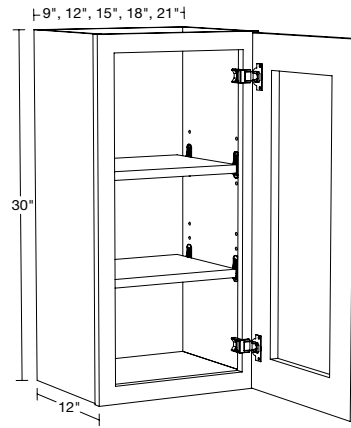
- One adjustable shelf that matches cabinet interior finish
- Must be supported from back and both sides
- CUSTOM DEPTH: 16" to 23" deep



W242424PFG
W272424PFG
W302424PFG
W332424PFG
W362424PFG

30" High Single Door

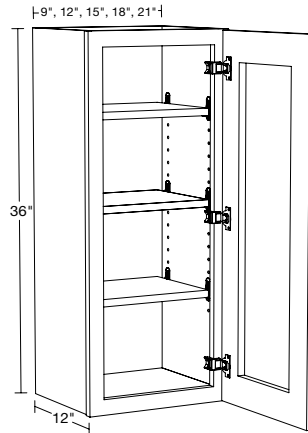
- Two adjustable shelves that match cabinet interior finish
- 9" Wide G-Door styles will not feature a raised center panel
- Specify Right or Left hinge, Right hinge shown
- CUSTOM DEPTH: 5" to 15" deep



W0930PFG
W1230PFG
W1530PFG
W1830PFG
W2130PFG

36" High Single Door

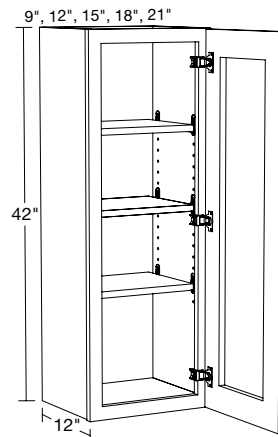
- Three adjustable shelves that match cabinet interior finish
- 9" Wide G-Door styles will not feature a raised center panel
- Specify Right or Left hinge, Right hinge shown
- CUSTOM DEPTH: 5" to 15" deep



W0936PFG
W1236PFG
W1536PFG
W1836PFG
W2136PFG

42" High Single Door

- Three adjustable shelves that match cabinet interior finish
- 9" Wide G-Door styles will not feature a raised center panel
- Specify Right or Left hinge, Right hinge shown
- CUSTOM DEPTH: 5" to 15" deep



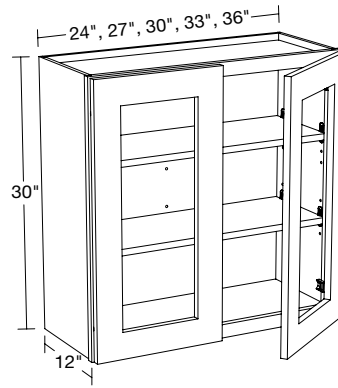
W0942PFG
W1242PFG
W1542PFG
W1842PFG
W2142PFG

WALL CABINETS WITH GLASS DOORS

30" High Double Door

- Two adjustable shelves that match cabinet interior finish
- CUSTOM DEPTH: 5" to 15" deep

A C

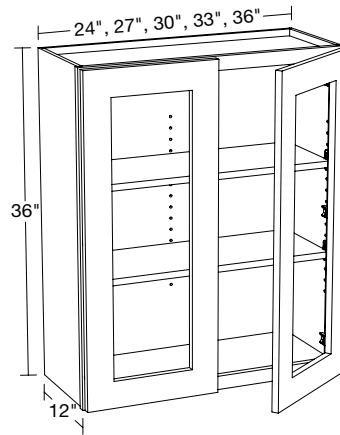


W2430PFG
W2730PFG
W3030PFG
W3330PFG
W3630PFG

36" High Double Door

- Three adjustable shelves that match cabinet interior finish
- CUSTOM DEPTH: 5" to 15" deep

A C

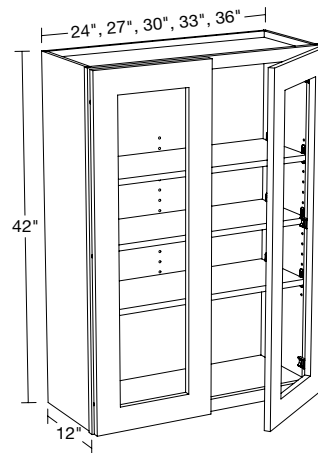


W2436PFG
W2736PFG
W3036PFG
W3336PFG
W3636PFG

42" High Double Door

- Three adjustable shelves that match cabinet interior finish
- CUSTOM DEPTH: 5" to 15" deep

A C

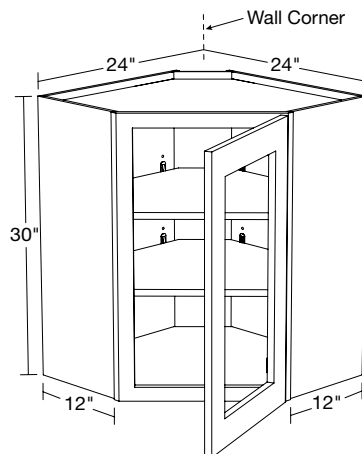


W2442PFG
W2742PFG
W3042PFG
W3342PFG
W3642PFG

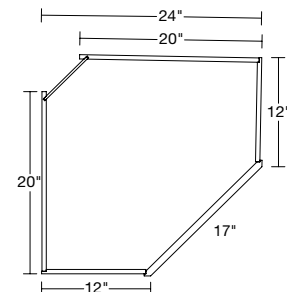
30" High Wall Angle

- Two adjustable shelves that match cabinet interior finish
- Clip corner back provides clearance for installation
- Clip corner back is 1/4" plywood
- Specify Right or Left hinge, Right hinge shown

A H



WA2430PFG

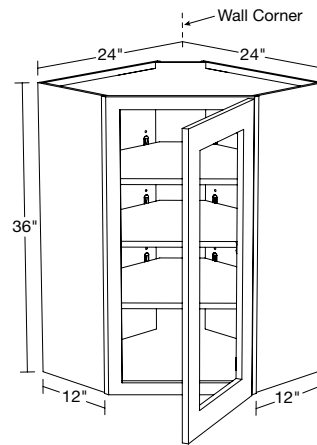


WALL CABINETS WITH GLASS DOORS

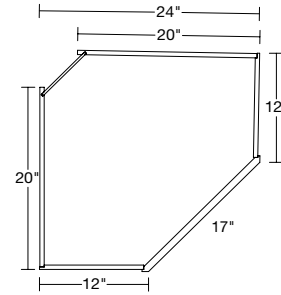
36" High Wall Angle

- Three adjustable shelves that match cabinet interior finish
- Clip corner back provides clearance for installation
- Clip corner back is 1/4" plywood
- Specify Right or Left hinge, Right hinge shown

A H



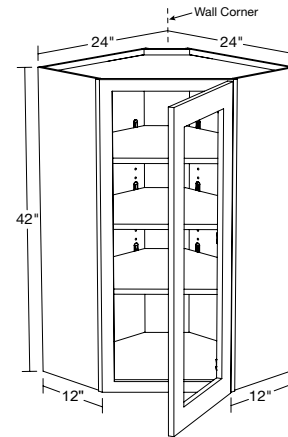
WA2436PFG



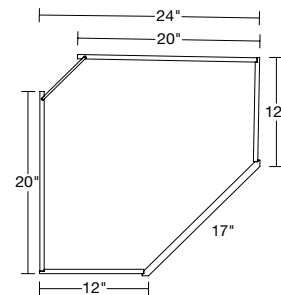
42" High Wall Angle

- Three adjustable shelves that match cabinet interior finish
- Clip corner back provides clearance for installation
- Clip corner back is 1/4" plywood
- Specify Right or Left hinge, Right hinge shown

A H



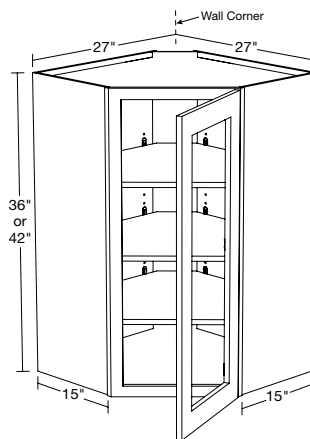
WA2442PFG



36" and 42" High x 15" Deep Wall Angle

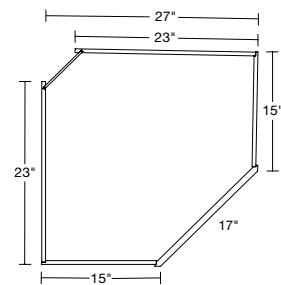
- Three adjustable shelves that match cabinet interior finish
- Clip corner back provides clearance for installation
- Clip corner back is 1/4" plywood
- Specify Right or Left hinge, Right hinge shown

A H



WA271536PFG

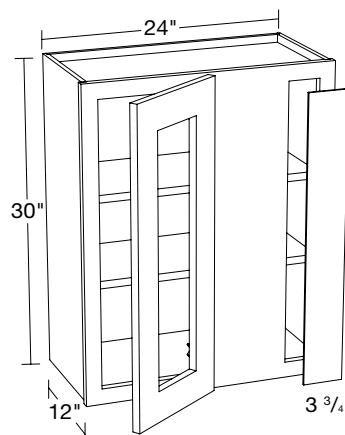
WA271542PFG



30" High Wall Blind Corner

- Two adjustable shelves that match cabinet interior finish
- Cabinet can be pulled for exact fit (see installation guide)
- 3" wide filler included
- 3 3/4" wide blind closure panel included - field installed
- Door width is 11 3/4"
- Specify Right or Left hinge, Right hinge shown
- Specify Right or Left blind, Right blind shown
- CUSTOM DEPTH: 5" to 15" deep

A H C

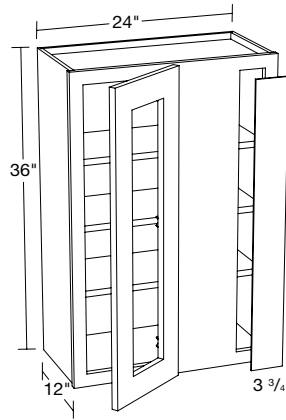


WBCU2730PFG

WALL CABINETS WITH GLASS DOORS

36" High Wall Blind Corner

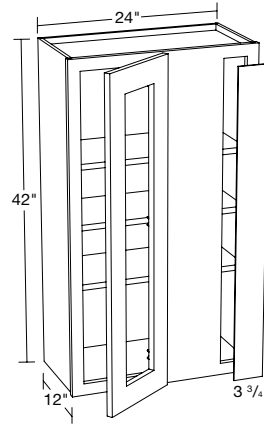
- Three adjustable shelves that match cabinet interior finish
- Cabinet can be pulled for exact fit (see installation guide)
- 3" wide filler included
- 3 ¾" wide blind closure panel included - field installed
- Door width is 11 ¾"
- Specify Right or Left hinge, Right hinge shown
- Specify Right or Left blind, Right blind shown
- CUSTOM DEPTH: 5" to 15" deep



WBCU2736PFG

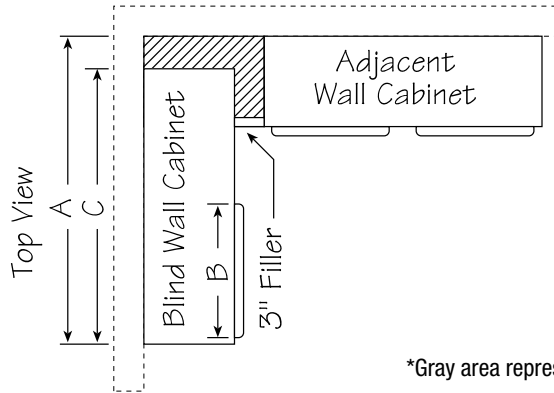
42" High Wall Blind Corner

- Three adjustable shelves that match cabinet interior finish
- Cabinet can be pulled for exact fit (see installation chart)
- 3" wide filler included
- 3 ¾" wide blind closure panel included - field installed
- Door width is 11 ¾"
- Specify Right or Left hinge, Right hinge shown
- Specify Right or Left blind, Right blind shown
- CUSTOM DEPTH: 5" to 15" deep



WBCU2742PFG

Blind Corner Installation Guide



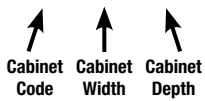
| BLIND WALL INSTALLATION GUIDE | | | |
|-------------------------------|----------------|---------------------------------|-----------|
| Cabinet | Wall Space "A" | Frame Opening | Cabinet |
| | Min - Max | Width "B" | Width "C" |
| WBCU2730 | 25" - 30" | 8 ⁷ / ₈ " | 24" |
| WBCU2736 | 25" - 30" | 8 ⁷ / ₈ " | 24" |
| WBCU2742 | 25" - 30" | 8 ⁷ / ₈ " | 24" |

*Gray area represents empty space. Cabinet is designed to be pulled for exact space.

WALL CABINET CODING

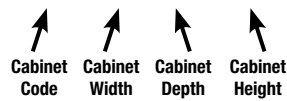
STANDARD (12" DEEP)

W 30 30



REFRIGERATOR (24" DEEP)

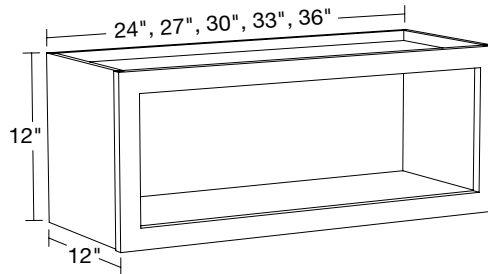
W 36 24 18



- Standard wall cabinets are 12" deep. Refrigerator wall cabinets are 24" deep.
- Cabinet depth does not include door thickness
- Not available in WWW, WVG or WVB
- Standard cabinet exterior sides are color matched to face frame
- Clear glass ships separate from cabinets
- Matching interiors are standard in PFG cabinets
- Soft close hinges
- **Shelf adjustment holes on the interior sides and back of cabinets will be visible**

12" High No Door

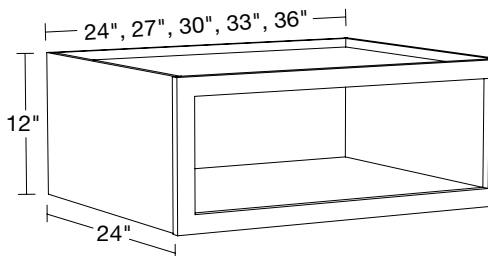
- No adjustable shelf
- CUSTOM DEPTH: 5" to 15" deep



W2412ND
W2712ND
W3012ND
W3312ND
W3612ND

12" High x 24" Deep No Door

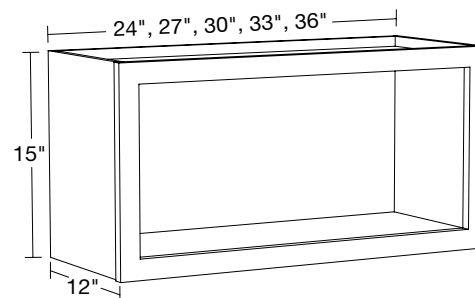
- No adjustable shelf
- Must be supported from back and both sides
- CUSTOM DEPTH: 16" to 23" deep



W242412ND
W272412ND
W302412ND
W332412ND
W362412ND

15" High No Door

- No adjustable shelf
- CUSTOM DEPTH: 5" to 15" deep

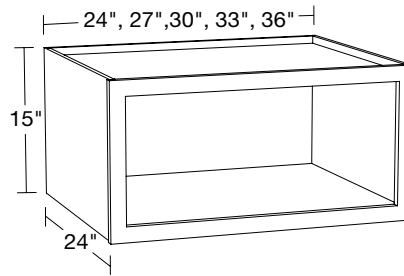


W2415ND
W2715ND
W3015ND
W3315ND
W3615ND

WALL CABINETS WITH NO DOORS

15" High x 24" Deep No Door

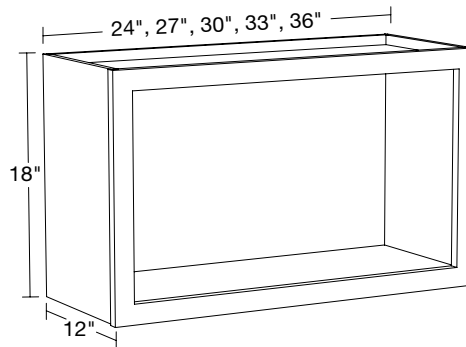
- No adjustable shelf
- Must be supported from back and both sides
- CUSTOM DEPTH: 16" to 23" deep



W242415ND
W272415ND
W302415ND
W332415ND
W362415ND

18" High No Door

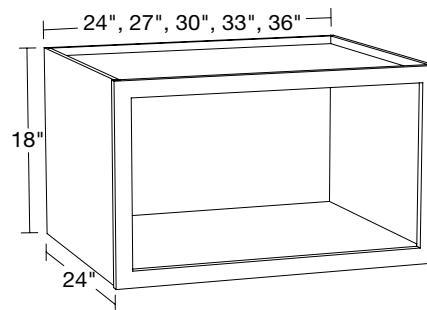
- No adjustable shelf
- CUSTOM DEPTH: 5" to 15" deep



W2418ND
W2718ND
W3018ND
W3318ND
W3618ND

18" High x 24" Deep No Door

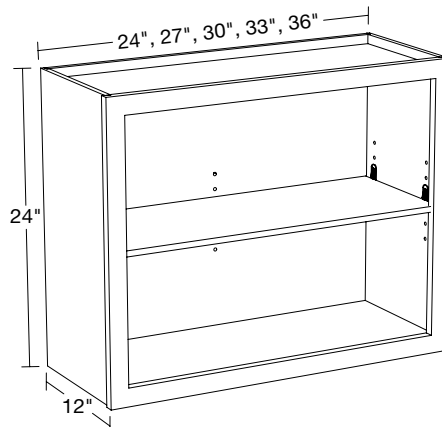
- No adjustable shelf
- Must be supported from back and both sides
- CUSTOM DEPTH: 16" to 23" deep



W242418ND
W272418ND
W302418ND
W332418ND
W362418ND

24" High No Door

- One adjustable shelf that match cabinet interior finish
- CUSTOM DEPTH: 5" to 15" deep

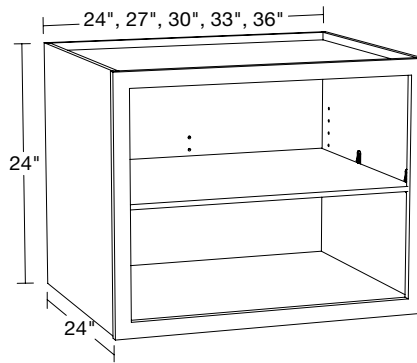


W2424ND
W2724ND
W3024ND
W3324ND
W3624ND

WALL CABINETS WITH NO DOORS

24" High x 24" Deep No Door

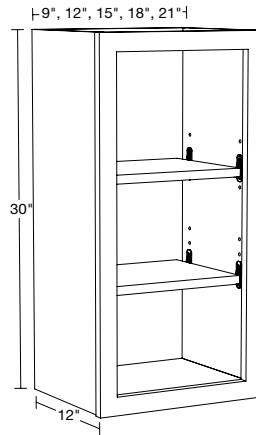
- One adjustable shelf that matches cabinet interior finish
- Must be supported from back and both sides
- CUSTOM DEPTH: 16" to 23" deep



W242424ND
W272424ND
W302424ND
W332424ND
W362424ND

30" High No Door

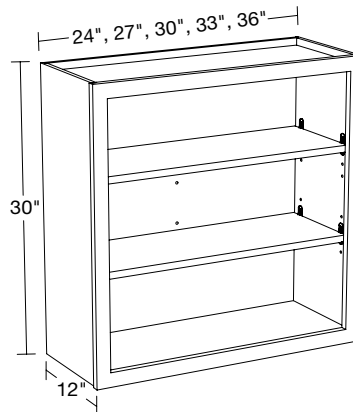
- Two adjustable shelves that match cabinet interior finish
- CUSTOM DEPTH: 5" to 15" deep



W0930ND
W1230ND
W1530ND
W1830ND
W2130ND

30" High No Door

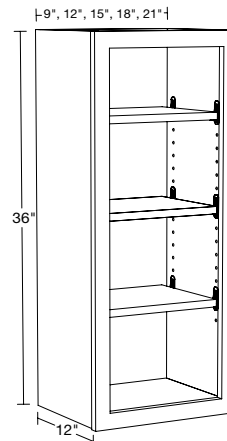
- Two adjustable shelves that match cabinet interior finish
- CUSTOM DEPTH: 5" to 15" deep



W2430ND
W2730ND
W3030ND
W3330ND
W3630ND

36" High No Door

- Three adjustable shelves that match cabinet interior finish
- CUSTOM DEPTH: 5" to 15" deep

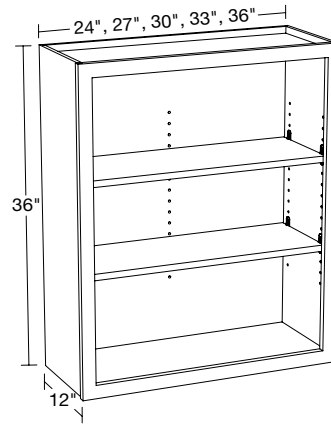


W0936ND
W1236ND
W1536ND
W1836ND
W2136ND

WALL CABINETS WITH NO DOORS

36" High No Door

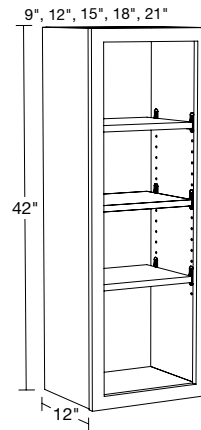
- Three adjustable shelves that match cabinet interior finish
- CUSTOM DEPTH: 5" to 15" deep



W2436ND
W2736ND
W3036ND
W3336ND
W3636ND

42" High No Door

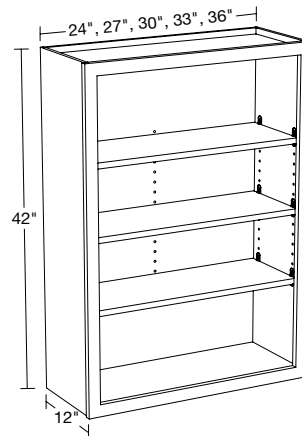
- Three adjustable shelves that match cabinet interior finish
- CUSTOM DEPTH: 5" to 15" deep



W0942ND
W1242ND
W1542ND
W1842ND
W2142ND

42" High No Door

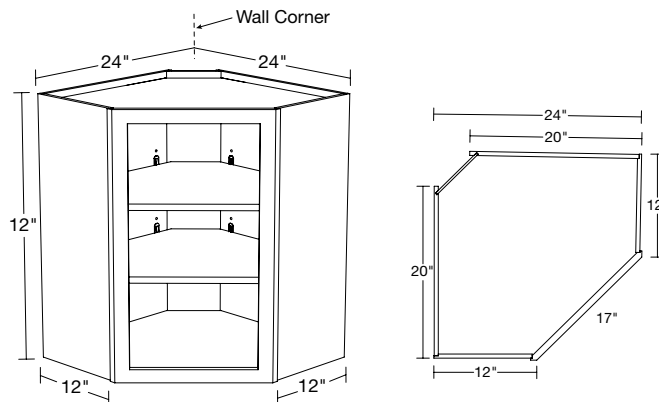
- Three adjustable shelves that match cabinet interior finish
- CUSTOM DEPTH: 5" to 15" deep



W2442ND
W2742ND
W3042ND
W3342ND
W3642ND

30" High Wall Angle

- Two adjustable shelves that match cabinet interior finish
- Clip corner back provides clearance for installation
- Clip corner back is 1/4" plywood



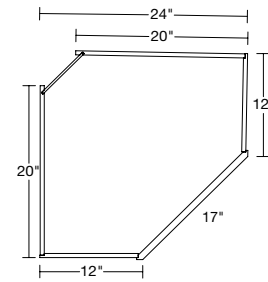
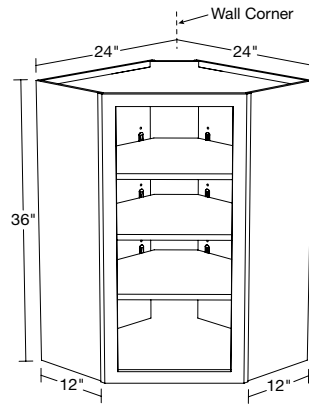
WA2430ND

WALL CABINETS WITH NO DOORS

36" High Wall Angle

- Three adjustable shelves that match cabinet interior finish
- Clip corner back provides clearance for installation
- Clip corner back is 1/4" plywood

A

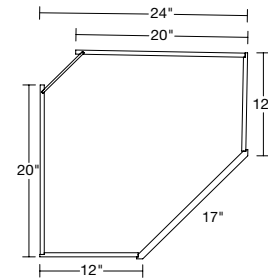
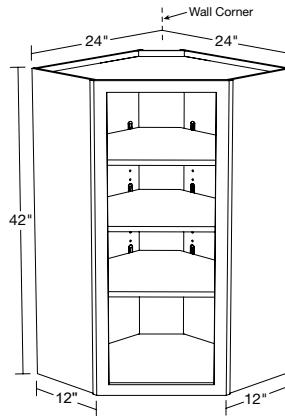


WA2436ND

42" High Wall Angle

- Three adjustable shelves that match cabinet interior finish
- Clip corner back provides clearance for installation
- Clip corner back is 1/4" plywood

A

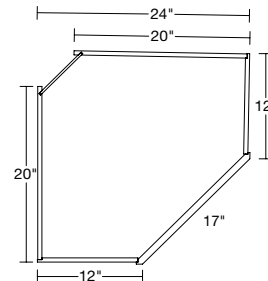
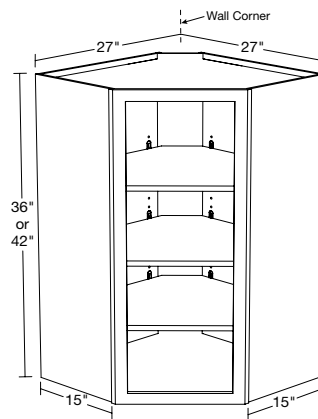


WA2442ND

36" and 42" High x 15" Deep Wall Angle

- Three adjustable shelves that match cabinet interior finish
- Clip corner back provides clearance for installation
- Clip corner back is 1/4" plywood

A



WA271536ND

WA271542ND

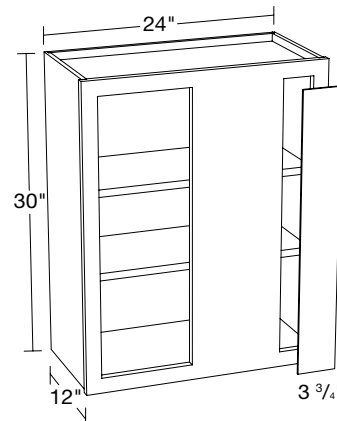
30" High Wall Blind Corner

- Two adjustable shelves that match cabinet interior finish
- 3" wide filler included
- 3 3/4" wide blind closure panel included - field installed
- Cabinet can be pulled for exact fit (see installation guide)
- Specify Right or Left blind, Right blind shown
- CUSTOM DEPTH: 5" to 15" deep

A

H

C

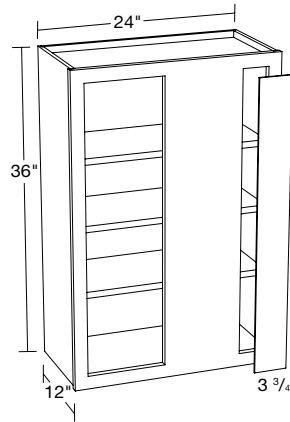


WBCU2730ND

WALL CABINETS WITH NO DOORS

36" High Wall Blind Corner

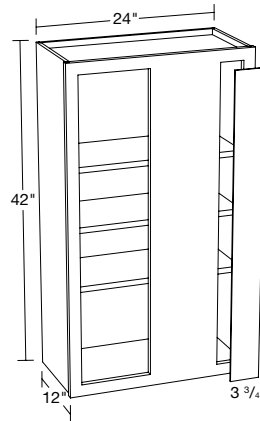
- Three adjustable shelves that match cabinet interior finish
- Indicate R or L for blind side (right shown)
- Cabinet can be pulled for exact fit (see installation guide)
- 3" wide filler included
- 3 3/4" wide blind closure panel included - field installed
- Specify Right or Left blind, Right blind shown
- CUSTOM DEPTH: 5" to 15" deep



WBCU2736ND

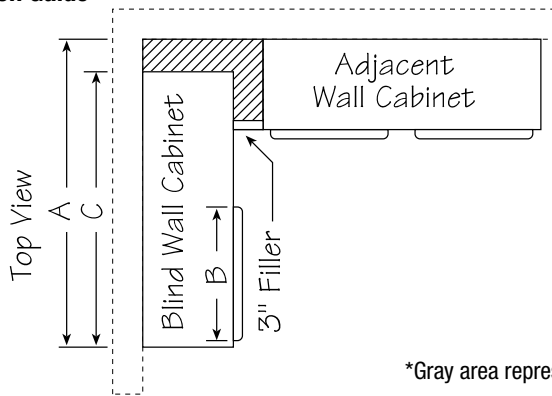
42" High Wall Blind Corner

- Three adjustable shelves that match cabinet interior finish
- Indicate R or L for blind side (right shown)
- Cabinet can be pulled for exact fit (see installation guide)
- 3" wide filler included
- 3 3/4" wide blind closure panel included - field installed
- Specify Right or Left blind, Right blind shown
- CUSTOM DEPTH: 5" to 15" deep



WBCU2742ND

Blind Corner Installation Guide



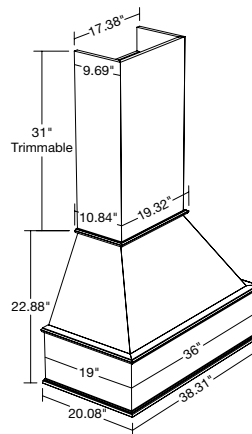
| BLIND WALL INSTALLATION GUIDE | | | |
|-------------------------------|----------------|---------------------------------|-----------|
| Cabinet | Wall Space "A" | Frame Opening | Cabinet |
| | Min - Max | Width "B" | Width "C" |
| WBCU2730 | 25" - 30" | 8 ⁷ / ₈ " | 24" |
| WBCU2736 | 25" - 30" | 8 ⁷ / ₈ " | 24" |
| WBCU2742 | 25" - 30" | 8 ⁷ / ₈ " | 24" |

*Gray area represents empty space. Cabinet is designed to be pulled for exact space.

WRHC36S

Range Hood Combo - Straight Valance

- Available 36" width
- Includes Hood, Chimney, Hood Liner and Blower
- Chimney is trimmable to adjust the height
- Blower is 390 CFM, 6.0 sones, enclosed light
- Clearance of 3" on each side is recommended



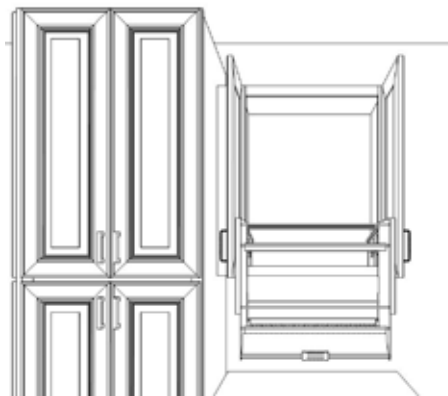
Placing wall cabinets next to a return wall

When placing cabinets against a side wall, use a minimum of 3/4" filler between wall and cabinet to allow doors to open



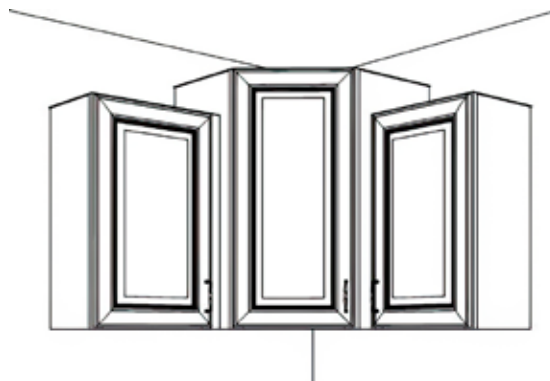
Using the Wall Cabinet with accessories

Make sure to allow proper clearance on each side so doors can open 90 degrees or more. This will allow the interior accessory to pull down correctly.



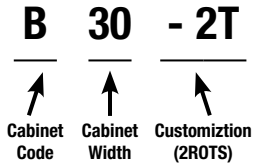
Staggering Upper Cabinets

When using the WA271536/42 corner cabinets, make sure to place a 3/4" filler next to adjacent cabinet if the adjacent cabinet is shallower.



BASE CABINETS

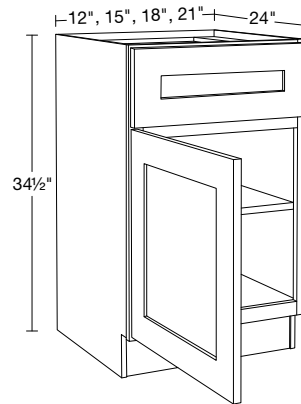
BASE CABINET CODING



- Standard Base Cabinets are 24" deep and 34½" high
- Desk Height base cabinets are 21" deep and 28½" high
- Cabinet depth does not include door thickness
- Products are available in all door styles unless stated otherwise
- Standard cabinet exterior sides are color matched to face frame
- Base cabinets are shipped with an unfinished toekick. Finished toekicks must be ordered separately and field installed.
- **Soft close hinges & full extension drawers with soft close unless otherwise stated.**

24" Deep Single Door

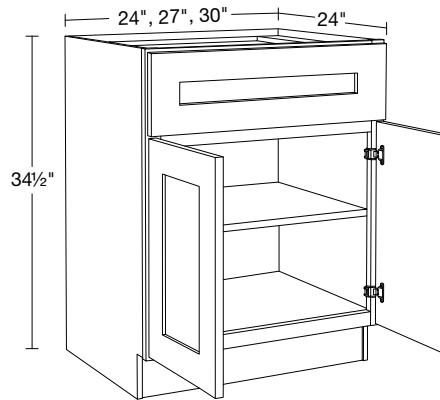
- One full-depth adjustable shelf
- CUSTOM DEPTH: 9" to 23" deep (9" to 14" deep options have false front & no drawer)
- Specify Right or Left hinge, Left hinge shown



B12
B15
B18
B21

24" Deep Double Door

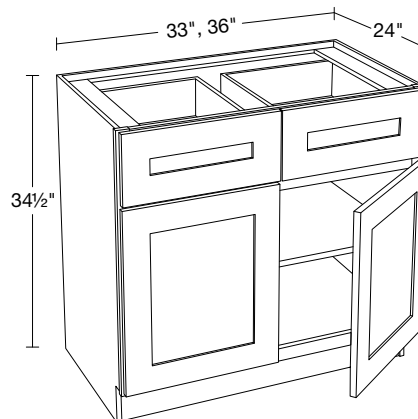
- One full-depth adjustable shelf
- CUSTOM DEPTH: 9" to 23" deep (9" to 14" deep options have false front & no drawer)



B24
B27
B30

24" Deep Double Door

- One full-depth adjustable shelf
- CUSTOM DEPTH: 9" to 23" deep (9" to 14" deep options have false front & no drawer)

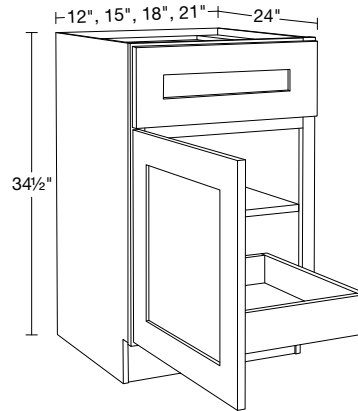


B33
B36

24" Deep Single Door with 1 Roll-Out Tray

- One full-depth adjustable shelf
- One full width, full extension, soft close roll-out tray
- Roll-out trays are not adjustable
- Specify Right or Left hinge, Left hinge shown

A H

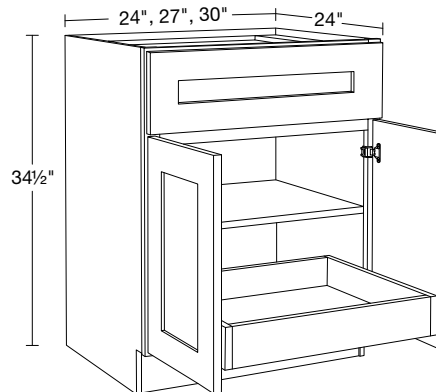


B12-1T
B15-1T
B18-1T
B21-1T

24" Deep Double Door with 1 Roll-Out Tray

- One full-depth adjustable shelf
- One full width, full extension, soft close roll-out tray
- Roll-out trays are not adjustable

A

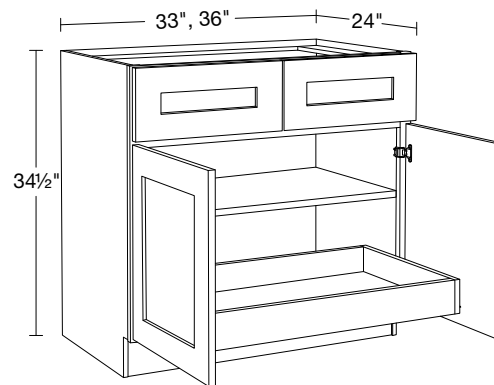


B24-1T
B27-1T
B30-1T

24" Deep Double Door with 1 Roll-Out Tray

- One full-depth adjustable shelf
- One full width, full extension, soft close roll-out tray
- Roll-out trays are not adjustable

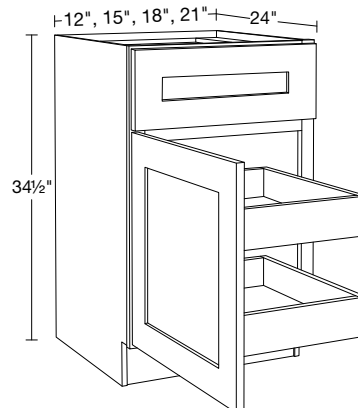
A



B33-1T
B36-1T

24" Deep Single Door with 2 Roll-Out Trays

- Two full width, full extension, soft close roll-out trays
- Roll-out trays are not adjustable

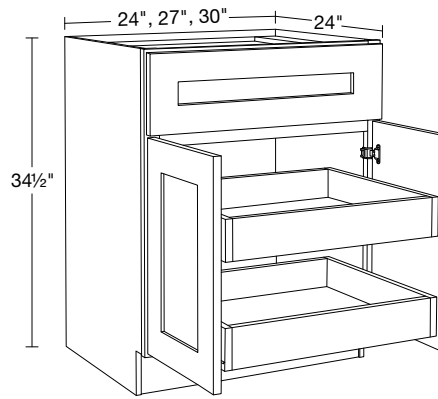


B12-2T
B15-2T
B18-2T
B21-2T

BASE CABINETS

24" Deep Double Door with 2 Roll-Out Tray

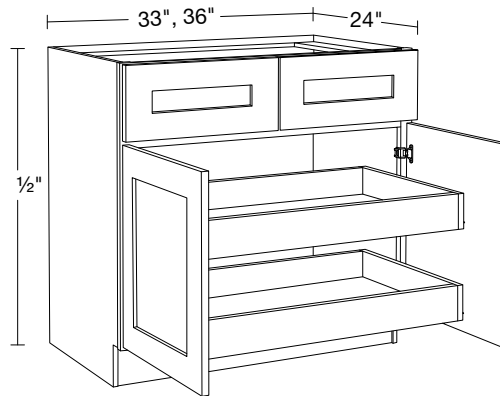
- Two full width, full extension, soft close roll-out trays
- Roll-out trays are not adjustable



B24-2T
B27-2T
B30-2T

24" Deep Double Door with 2 Roll-Out Tray

- Two full width, full extension, soft close roll-out trays
- Roll-out trays are not adjustable

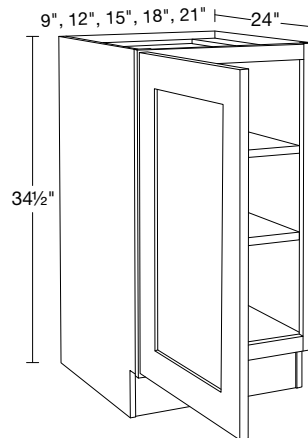


B33-2T
B36-2T

24" Deep Single Full Height Door

- Two full-depth adjustable shelves
- 9" Wide G-Door styles will not feature a raised center panel
- CUSTOM DEPTH: 9" to 23" deep
- Specify Right or Left hinge, Left hinge shown

A **H** **C**

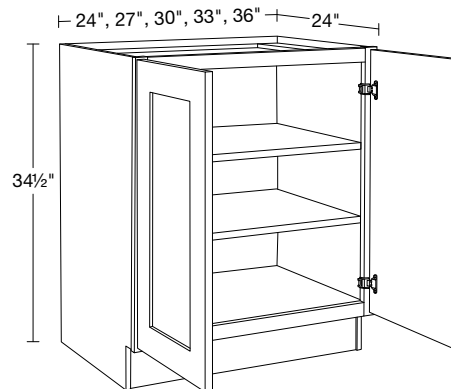


B09FH
B12FH
B15FH
B18FH
B21FH

24" Deep Double Full Height Door

- Two full-depth adjustable shelves
- CUSTOM DEPTH: 9" to 23" deep

A **C**

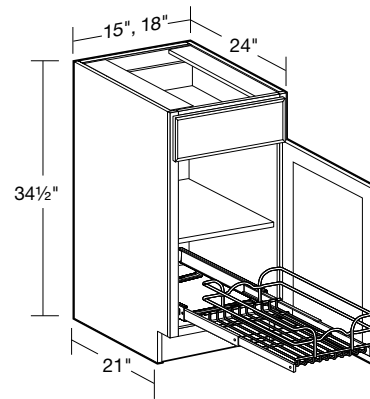


B24FH
B27FH
B30FH
B33FH
B36FH

24" Deep Single Door with 1 Chrome Roll-Out Tray

- Field installed
- One full width chrome wire roll-out tray
- 100 lb rated full-extension, ball bearing slides (not soft close)
- Floor mounting, not adjustable
- One full depth adjustable shelf
- Specify Right or Left hinge, Right hinge shown

F A H

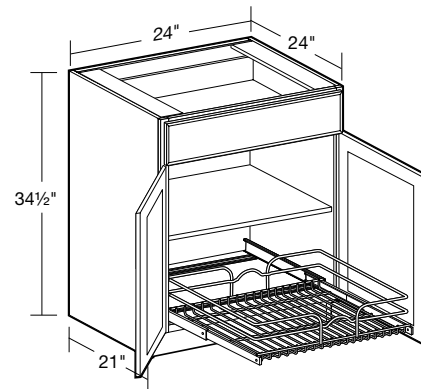


B15-1WT
B18-1WT

24" Deep Double Door with 1 Chrome Roll-Out Tray

- Field installed
- One full width chrome wire roll-out tray
- 100 lb rated full-extension, ball bearing slides (not soft close)
- Floor mounting, not adjustable
- One full depth adjustable shelf

F A

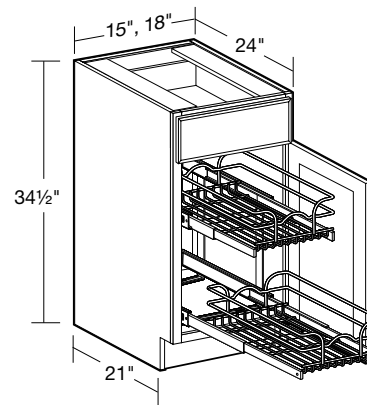


B24-1WT

24" Deep Single Door with 2 Chrome Roll-Out Trays

- Field installed
- Two full width chrome wire roll-out trays
- 100lb rated full-extension, ball bearing slides (not soft close)
- (3) adjustable heights
- Floor, side, and rear mounted
- Specify Right or Left hinge, Right hinge shown

F H

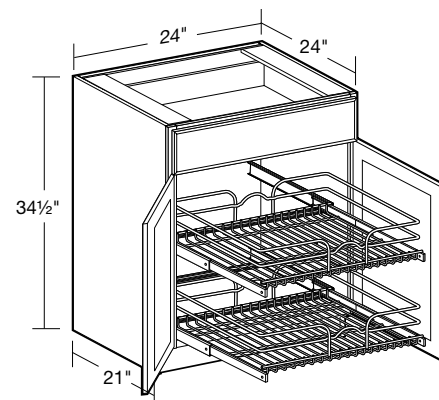


B15-2WT
B18-2WT

24" Deep Double Door with 2 Chrome Roll-Out Trays

- Field installed
- Two full width chrome wire roll-out trays
- 100lb rated full-extension, ball bearing slides (not soft close)
- (3) adjustable heights
- Floor, side, and rear mounted

F



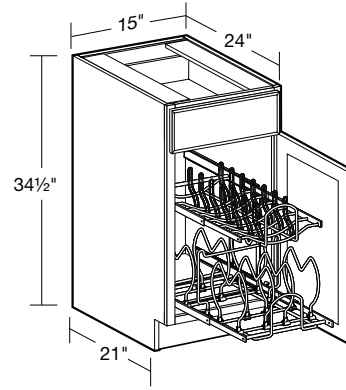
B24-2WT

BASE CABINETS

24" Deep Single Door with 2-Tier Cookware Organizer

- Field installed
- Two chrome wire tiers operate independently
- Adjustable dividers on bottom tier accommodate different size pots and pans
- Floor, side, and rear mounted
- 100lb rated full-extension soft close ball-bearing slides
- Specify Right or Left hinge, Right hinge shown

F H

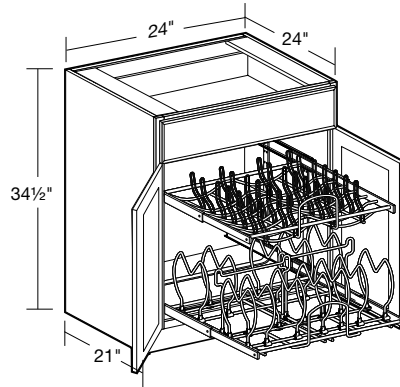


B15-CWO

24" Deep Double Door with 2-Tier Cookware Organizer

- Field installed
- Two chrome wire tiers operate independently
- Adjustable dividers on bottom tier accommodate different size pots and pans
- Floor, side, and rear mounted
- 100lb rated full-extension soft close ball-bearing slides

F

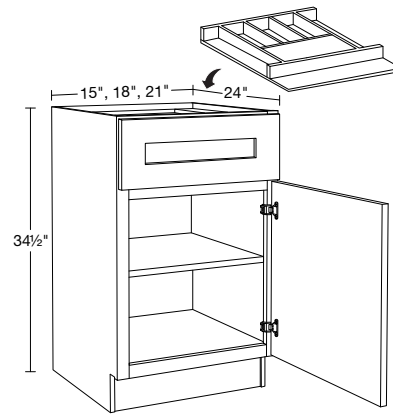


B24-CWO

24" Deep Single Door with Cutlery Tray

- One full-depth adjustable shelf
- Solid hardwood drawer insert
- 6 compartments 10"-14" deep (B15, B18)
- 8 compartments 10"-14" deep (B21)
- One full width front utensil compartment
- Specify Right or Left hinge, Right hinge shown

A H

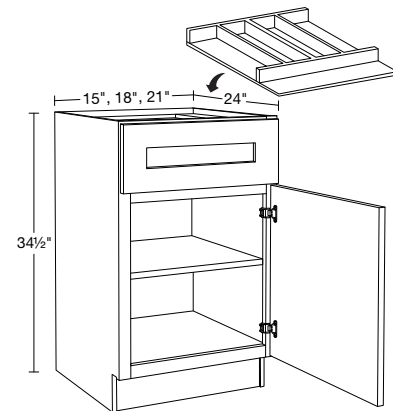


**B15-CT
B18-CT
B21-CT**

24" Deep Single Door with Utensil Tray

- One full-depth adjustable shelf
- Solid hardwood drawer insert
- 2 additional compartments 16" deep (B15)
- 4 additional compartments 16" deep (B18)
- 5 additional compartments 16" deep (B21)
- One full width front utensil compartment
- Specify Right or Left hinge, Right hinge shown

A H

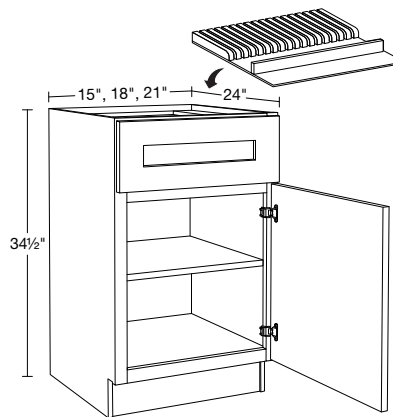


**B15-UT
B18-UT
B21-UT**

24" Deep Single Door with Knife Block

- One full-depth adjustable shelf
- Solid hardwood drawer insert
- 10 knife slots + utensil compartment (B15)
- 13 knife slots + utensil compartment (B18)
- 16 knife slots + utensil compartment (B21)
- One full width front utensil compartment
- Specify Right or Left hinge, Right hinge shown

A H

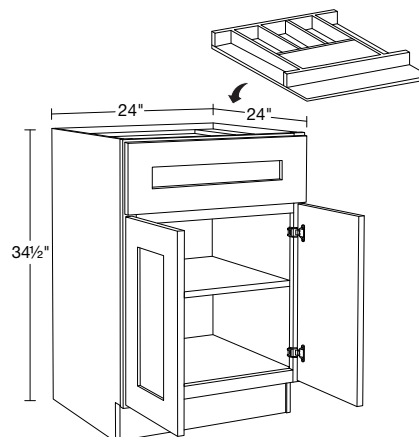


**B15-KB
B18-KB
B21-KB**

24" Deep Double Door with Cutlery Tray

- One full-depth adjustable shelf
- Solid hardwood drawer insert
- 8 compartments 10"-14" deep (B24)
- One full width front utensil compartment

A



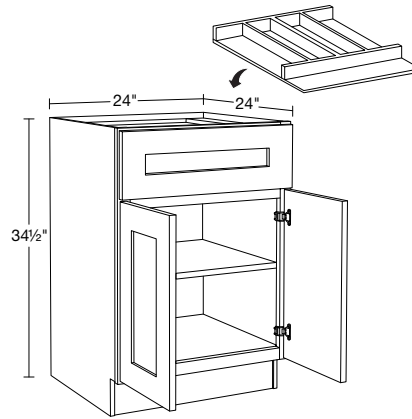
B24-CT

BASE CABINETS

24" Deep Single Door with Utensil Tray

- One full-depth adjustable shelf
- Solid hardwood drawer insert
- 5 additional compartments 16" deep (B24)
- One full width front utensil compartment

A



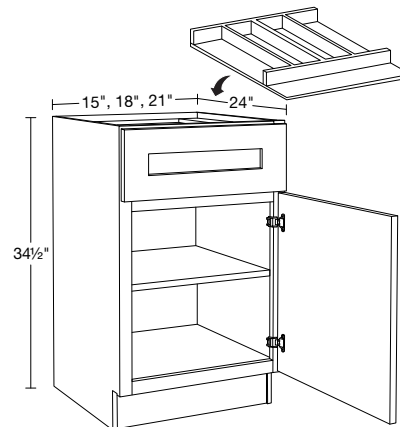
B24-UT

24" Deep Single Door with Spice Tray

- One full-depth adjustable shelf
- Solid hardwood drawer insert
- Three 5" high angled tiers
- Rear 4" deep compartment
- Specify Right or Left hinge, Right hinge shown

A

H



B15-ST

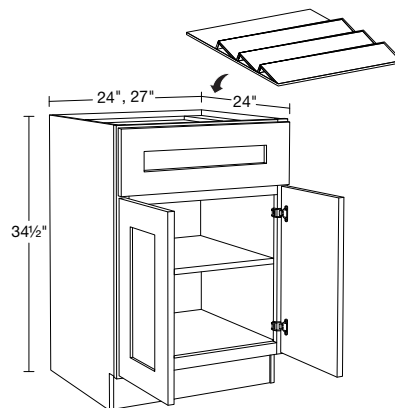
B18-ST

B21-ST

24" Deep Double Door with Spice Tray

- One full-depth adjustable shelf
- Solid hardwood drawer insert
- Three 5" high angled tiers
- Rear 4" deep compartment

A

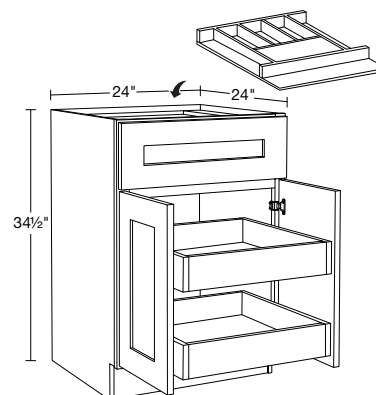


B24-ST

B27-ST

24" Deep Double Door with 2 Roll-Out Trays and Cutlery Tray

- Two full width, full extension, soft close roll-out trays
- Solid hardwood drawer insert
- 8 compartments 10"-14" deep (B24)
- One full width front utensil compartment
- Roll-out trays are not adjustable

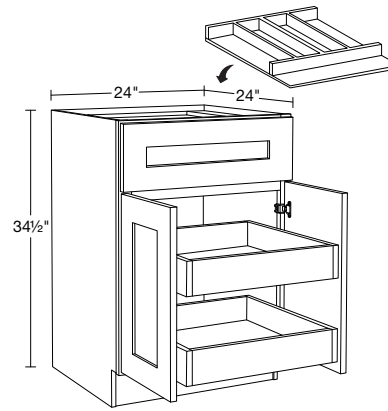


B24-2T-CT

24" Deep Double Door with 2 Roll-Out Trays and Utensil Tray

B24-2T-UT

- Two full width, full extension, soft close roll-out trays
- Solid hardwood drawer insert
- 5 additional compartments 16" deep (B24)
- One full width front utensil compartment
- Roll-out trays are not adjustable



24" Deep Single Door with 2 Roll-Out Trays and Cutlery Tray

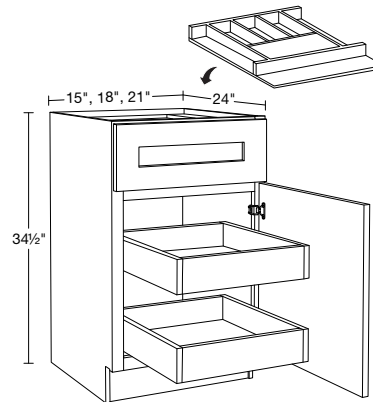
B15-2T-CT

B18-2T-CT

B21-2T-CT

- Two full width, full extension, soft close roll-out trays
- Solid hardwood drawer insert
- 6 compartments 10"-14" deep (B15, B18)
- 8 compartments 10"-14" deep (B21)
- Roll-out trays are not adjustable
- Specify Right or Left hinge, Right hinge shown

H



24" Deep Single Door with 2 Roll-Out Trays and Utensil Tray

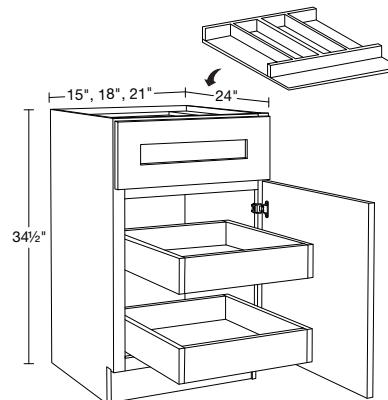
B15-2T-UT

B18-2T-UT

B21-2T-UT

- Two full width, full extension, soft close roll-out trays
- Solid hardwood drawer insert
- 2 additional compartments 16" deep (B15)
- 4 additional compartments 16" deep (B18)
- 5 additional compartments 16" deep (B21)
- One full width front utensil compartment
- Roll-out trays are not adjustable
- Specify Right or Left hinge, Right hinge shown

H



24" Deep Single Door with 2 Roll-Out Trays and Knife Block

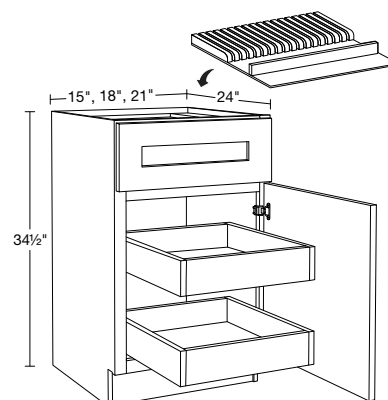
B15-2T-KB

B18-2T-KB

B21-2T-KB

- Two full width, full extension, soft close roll-out trays
- Solid hardwood drawer insert
- 10 knife slots + utensil compartment (B15)
- 13 knife slots + utensil compartment (B18)
- 16 knife slots + utensil compartment (B21)
- One full width front utensil compartment
- Roll-out trays are not adjustable
- Specify Right or Left hinge, Right hinge shown

H

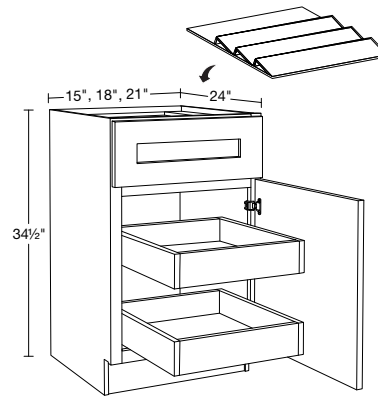


BASE CABINETS

24" Deep Single Door with 2 Roll-Out Trays and Spice Tray

- Two full width, full extension, soft close roll-out trays
- Solid hardwood drawer insert
- Three 5" high angled tiers
- Rear 4" deep compartment
- Roll-out trays are not adjustable
- Specify Right or Left hinge, Right hinge shown

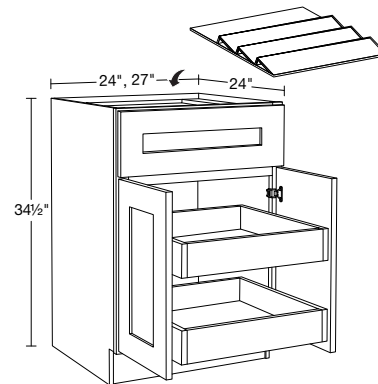
H



B15-2T-ST
B18-2T-ST
B21-2T-ST

24" Deep Double Door with 2 Roll-Out Trays and Spice Tray

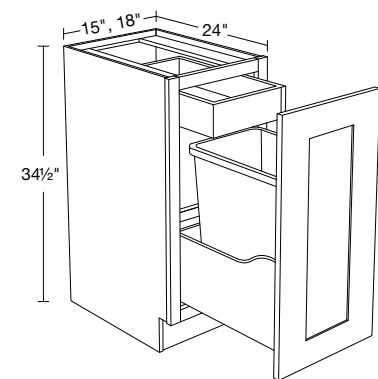
- Two full width, full extension, soft close roll-out trays
- Solid hardwood drawer insert
- Three 5" high angled tiers
- Rear 4" deep compartment
- Roll-out trays are not adjustable



B24-2T-ST
B27-2T-ST

24" Deep DELUXE Single 35 qt. Waste Basket Pullout

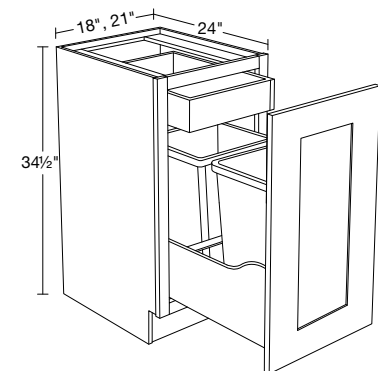
- Basket is removable
- Basket slides on heavy duty, full extension, soft close runners
- 35 quart white plastic basket sits in a dovetailed plywood drawer box
- Basket dimensions: 14"W x 10"D x 18"H
- Rollout tray not adjustable or removable
- Top mount roll-out tray for trash bag storage
- SOFT CLOSE DOOR AND ROLL OUT TRAY INCLUDED!



B1DWB15
B1DWB18

24" Deep DELUXE Double 35 qt. Waste Basket Pullout

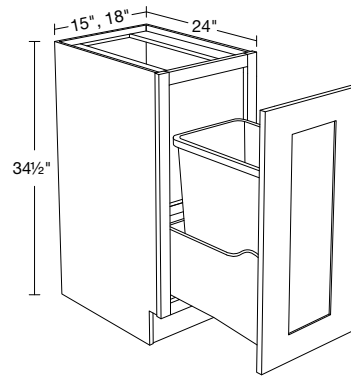
- Basket is removable
- Basket slides on heavy duty, full extension, soft close runners
- Two 35 quart white plastic baskets sit in a dovetailed plywood drawer box
- Basket dimensions: 14"W x 10"D x 18"H
- Rollout tray not adjustable or removable
- Top mount roll-out tray for trash bag storage
- SOFT CLOSE DOOR AND ROLL OUT TRAY INCLUDED!



B2DWB18
B2DWB21

Base Full 50qt Single Wastebasket

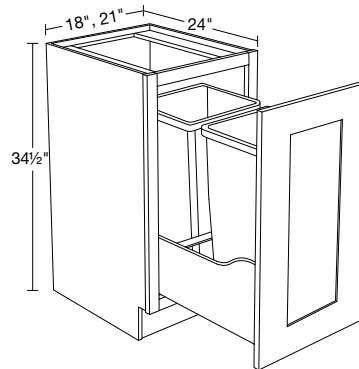
- Basket is removable
- Basket slides on heavy duty, full extension, soft close runners
- 55 quart white plastic basket sits in a dovetailed plywood drawer box
- Basket dimensions: 10 ¾"W x 14 ¾"D x 21 ¾"H
- Rollout tray not adjustable or removable
- SOFT CLOSE DOOR INCLUDED!



B1LWB15
B1LWB18

Base Full 50qt Double Wastebasket

- Basket is removable
- Basket slides on heavy duty, full extension, soft close runners
- Two 55 quart white plastic baskets sit in a dovetailed plywood drawer box
- Basket dimensions: 10 ¾"W x 14 ¾"D x 21 ¾"H
- Rollout tray not adjustable or removable
- SOFT CLOSE DOOR INCLUDED!

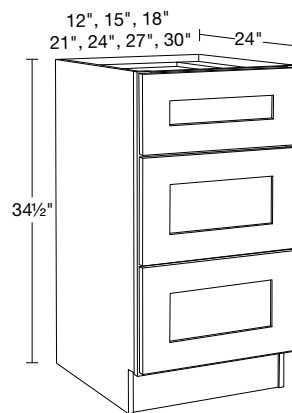


B2LWB18
B2LWB21

24" Deep Base - 3 Drawers

- One full extension, soft close standard top drawer
- Two full extension, soft close deep drawers
- CUSTOM DEPTH: 15" to 23" deep

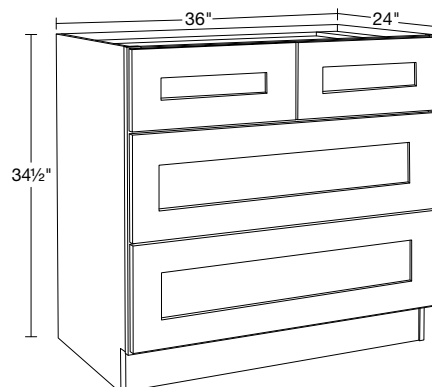
*Maximum drawer handle width is 4" wide for raised panel styles, 5½" wide for recessed panel styles.



BD12*
BD15
BD18
BD21
BD24
BD27
BD30

24" Deep Base - 4 Drawers

- Two full extension, soft close standard top drawers
- Two full extension, soft close deep drawers
- CUSTOM DEPTH: 15" to 23" deep

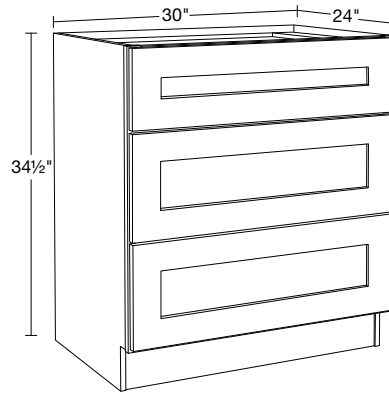


BD36

BASE CABINETS

24" Deep Base Cooktop - Single False Front

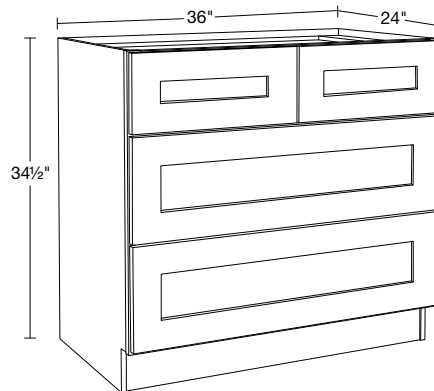
- False top drawer front
- Two full extension, soft close deep drawers
- Accepts drop-in cooktop



BCT30

24" Deep Base Cooktop - Double False Front

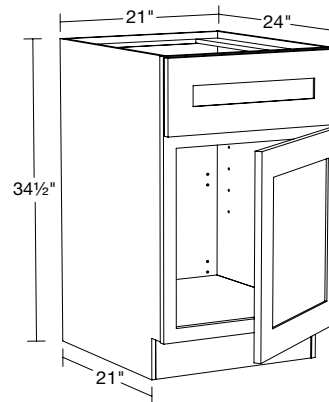
- False top drawer fronts
- Two full extension, soft close deep drawers
- Accepts drop-in cooktop



BCT36

21" Deep Single Door Sink Base

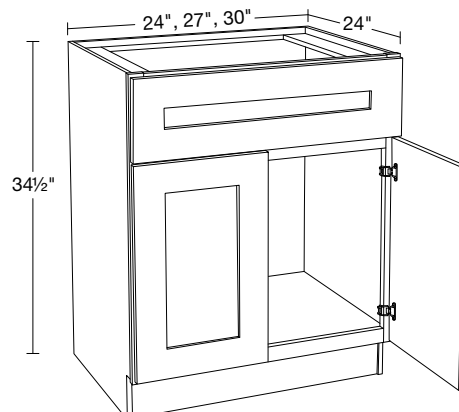
- Maximum sink cutout 19" wide
- No shelf
- False drawer front
- Specify Right or Left hinge, Right hinge shown



SB21

24" Deep Sink Base

- No shelf, false drawer front
- May also be used as drop-in cooktop base
- CUSTOM DEPTH: 9" to 23" deep



SB24

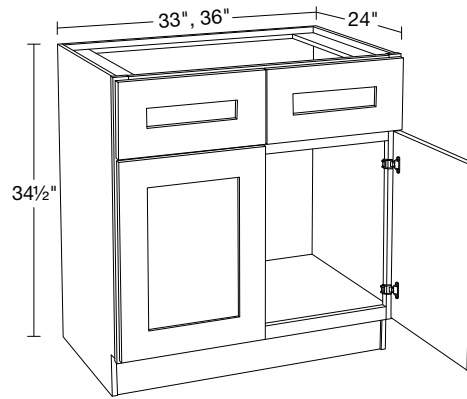
SB27

SB30

24" Deep Sink Base

- No shelf, two false drawer fronts
- May also be used as drop-in cooktop base
- CUSTOM DEPTH: 9" to 23" deep

C

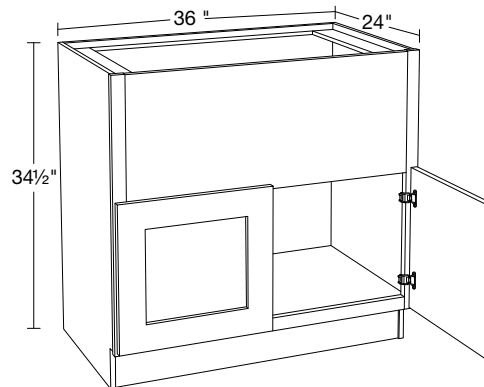


SB33
SB36

24" Deep Farm Sink Base

- Front rail is field modified to fit sink
- No shelf
- CUSTOM DEPTH: 9" to 23" deep

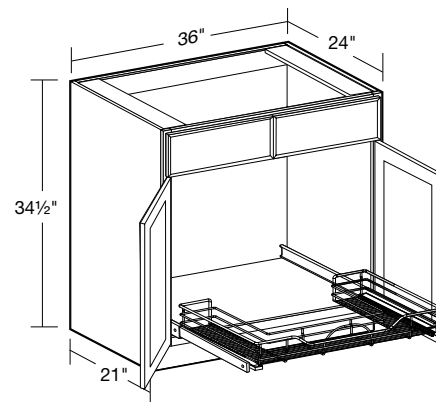
F **C**



FSB36

24" Deep Sink Base with 1 Chrome Roll-out Tray

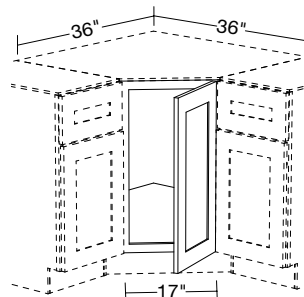
- No Shelf, two false drawer fronts
- One full width U-shaped chrome wire roll-out tray (not soft close)
- Designed to fit around sink plumbing



SB36-1USWP

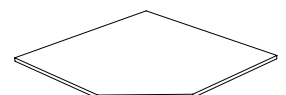
Sink Front Angle

- Angle sink front must be installed between two cabinets
- Frame/door can be installed with hinges on right or left
- Floor support and toe base must be field constructed
- Maximum sink width for this application 25 3/4"



FACE FRAME & DOOR
SFA36

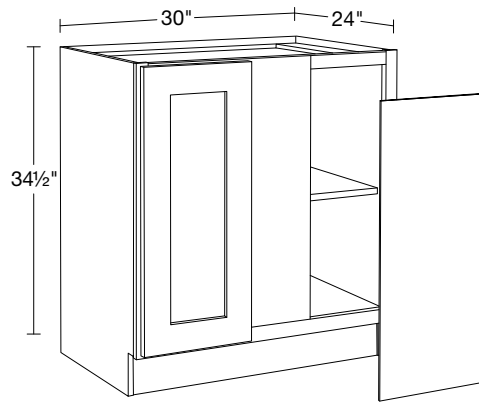
CORNER FLOOR
SFAF36



BASE CABINETS

24" Deep Blind Base Corner

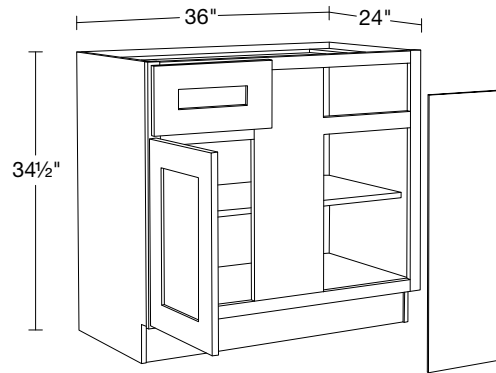
- Specify Right or Left hinge, Left hinge shown
- Specify Right or Left blind, Right blind shown
- Cabinet can be pulled for exact fit (see installation chart)
- 3" wide filler included
- 9 7/8" wide blind closure panel included - field installed
- Door width is 11-3/4"
- CUSTOM DEPTH: 9" to 23" deep



BBCU39

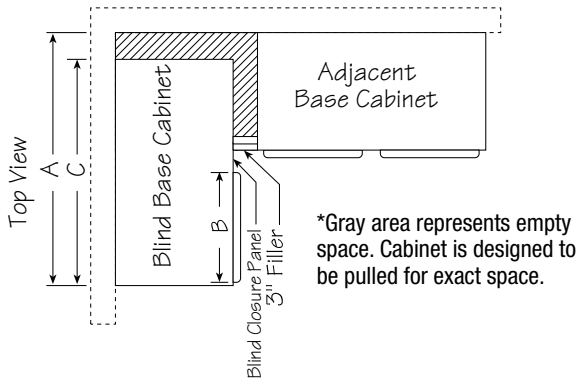
24" Deep Blind Base Corner

- Specify Right or Left hinge, Left hinge shown
- Specify Right or Left blind, Right blind shown
- Cabinet can be pulled for exact fit (see installation chart)
- 3" wide filler included
- 12 3/4" wide blind closure panel included - field installed
- Door width is 14-3/4"
- CUSTOM DEPTH: 9" to 23" deep (9" to 14" deep options have false front & no drawer)



BBCU42

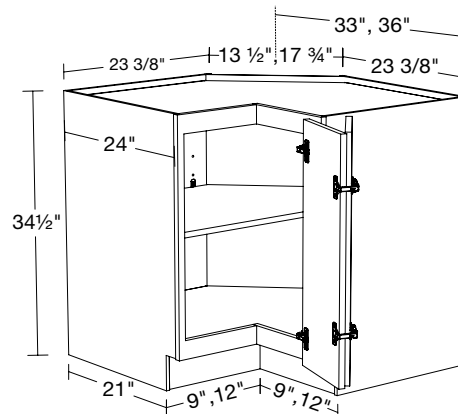
Blind Base Corner Installation



| BLIND BASE INSTALLATION GUIDE | | | | |
|-------------------------------|----------------|-----|---------------|-----------|
| Cabinet | Wall Space "A" | | Frame Opening | Cabinet |
| | Min | Max | Width "B" | Width "C" |
| BBCU39 | 39" | 42" | 8 7/8" | 30" |
| BBCU42 | 42" | 45" | 12" | 36" |

33" and 36" Easy Reach

- One full-depth straight adjustable shelf (reversible)
- Doors open 170 degrees for easy access
- Clip corner is 1/4" plywood
- 33" wide cabinet doors will not feature a raised center panel
- SOFT CLOSE DOOR (SCD) OPTION NOT AVAILABLE
- Specify Right or Left hinge, Right hinge shown



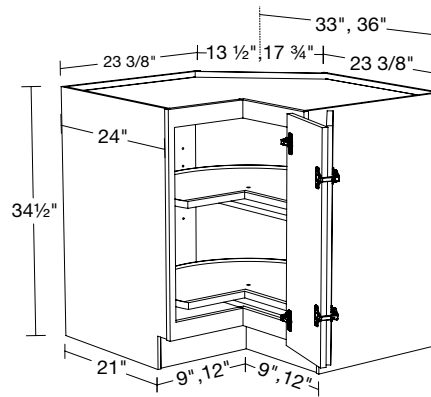
EZR33

EZR36

33" and 36" Easy Reach Super Suzan

- Two 26" or 28" diameter, pie-cut independently revolving all wood shelves
- Doors open 170 degrees for easy access
- Clip corner is 1/4" plywood
- 33" wide cabinet doors will not feature a raised center panel
- SOFT CLOSE DOOR (SCD) OPTION NOT AVAILABLE
- Specify Right or Left hinge, Right hinge shown

H



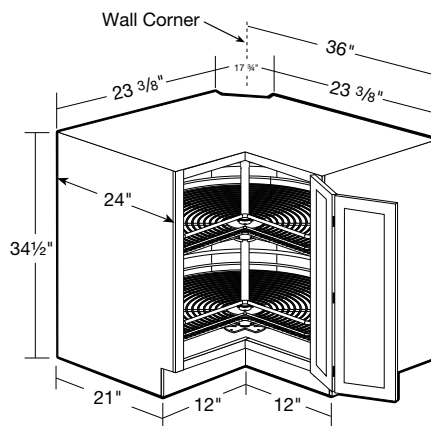
EZR33SS

EZR36SS

36" Easy Reach Chrome Susan

- CHROME SUSAN FIELD INSTALLED
- Doors open 170 degrees for easy access
- Clip corner is 1/4" plywood
- SOFT CLOSE DOOR (SCD) OPTION NOT AVAILABLE
- Specify Right or Left hinge, Right hinge shown

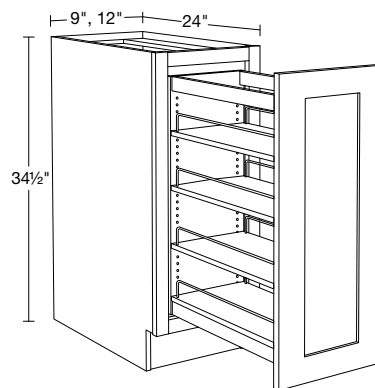
F H



EZR36-2WLS

24" Deep Base Pantry Pullout

- Available in 9" & 12" width cabinets
- Full extension ball bearing slides provide stable, smooth pullout function
- Adjustable shelves with chrome rails
- 9" Wide G-Door styles will not feature a raised center panel

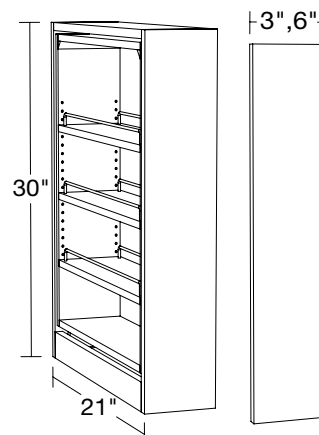


BPP09

BPP012

24" Deep Filler Pantry Pullout

- Available in 3" & 6" widths with matching Filler Strip
- Full extension ball bearing slides provide stable, smooth pullout function
- Adjustable shelves with chrome rails
- Pull-out unit must be installed between two cabinets or cabinet and wall*
- Top and bottom of filler unfinished
- Filler strip attached to pull-out unit after installation



BFP03

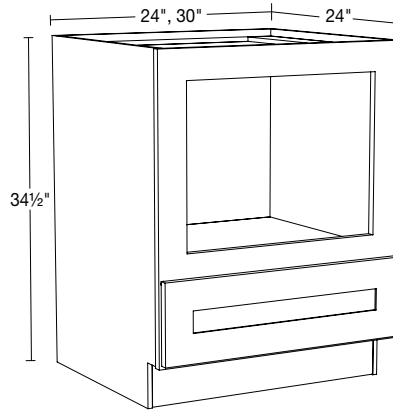
BFP06

BASE CABINETS

Microwave Base Cabinet

- Full depth interior shelf
- One full extension solid wood, dovetailed drawer box with soft close runners that can hold up to 90 pounds
- Features matching interior
- 24" wide cabinet has a max. microwave opening of 22.5" wide and 16 1/8" high
- 30" wide cabinet has a max. microwave opening of 28.5" wide and 16 1/8" high

NOTE The Microwave Oven opening can be trimmed out up to 1.5" wider

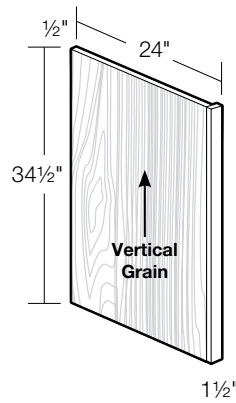


BMC24
BMC30

24" Deep End Panel with 1 1/2" wide Filler

BP1.5

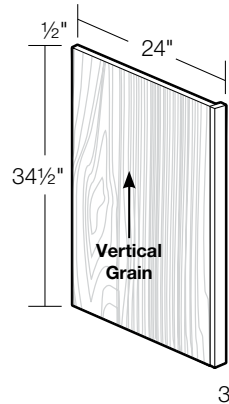
- 1 1/2" wide filler included
- Solid wood filler for stained finishes/MDF for painted and vinyl wrapped finishes
- Panel and filler supplied loose for field assembly
- Reversible, may be installed left or right
- 1/2" thick plywood panel finished with vinyl laminate color matched to cabinetry face frame
- Top and bottom of filler unfinished
- Filler can be trimmed down by 5/8" on jobsite



24" Deep End Panel with 3" wide Filler

BP3

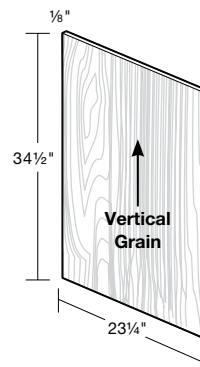
- 3" wide filler included
- Solid wood filler for stained finishes/MDF for painted and vinyl wrapped finishes
- Panel and filler supplied loose for field assembly
- Reversible, may be installed left or right
- 1/2" thick plywood panel finished with vinyl laminate color matched to cabinetry face frame
- Top and bottom of filler unfinished
- Filler can be trimmed down by 5/8" on jobsite



Base Skin

BSK345

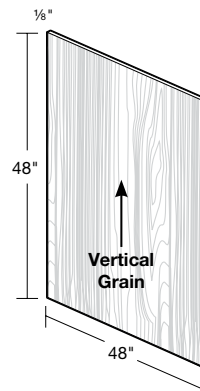
- 1/8" thick plywood finished with vinyl laminate color matched to cabinetry face frame
- Field modified and installed
- Can be field modified for shallower depth cabinets
- Finish matches cabinetry face frame



Island Skin

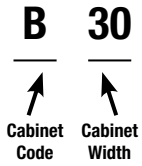
ISK4848

- 1/8" thick plywood finished with vinyl laminate color matched to cabinetry face frame
- Field modified and installed



BASE CABINETS WITH NO DOORS

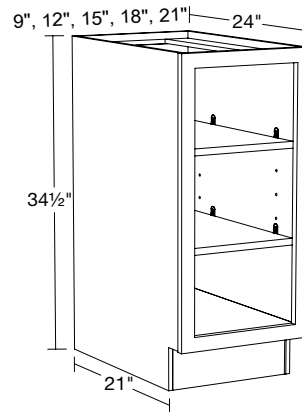
BASE CABINET CODING



- Standard Base Cabinets are 24" deep and 34½" high
- Matching interiors are standard in base cabinets with no doors
- Standard cabinet exterior sides are color matched to face frame
- Base cabinets are shipped with an unfinished toekick. Finished toekicks (MTK8) must be ordered separately and field installed.
- **Shelf adjustment holes on the interior sides and back of cabinets will be visible**

24" Deep Single Full Height No Door

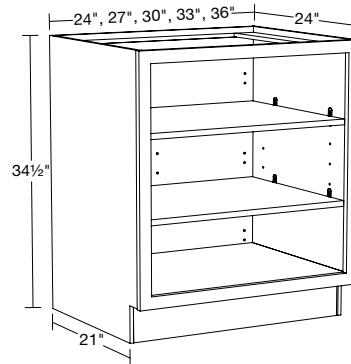
- Two full-depth adjustable shelves that match cabinet interior finish
- CUSTOM DEPTH: 9" to 23" deep



- B09ND**
- B12ND**
- B15ND**
- B18ND**
- B21ND**

24" Deep Double Full Height No Door

- Two full-depth adjustable shelves that match cabinet interior finish
- CUSTOM DEPTH: 9" to 23" deep



- B24ND**
- B27ND**
- B30ND**
- B33ND**
- B36ND**

Using ND Base Cabinets

Customize the depth of B24ND down to 12" you can use it on the end of a cabinet run for an interesting transition in the kitchen. This option is shown with a MWEP30 on the exposed side of the ND (no door) cabinet to mimic a finished door.



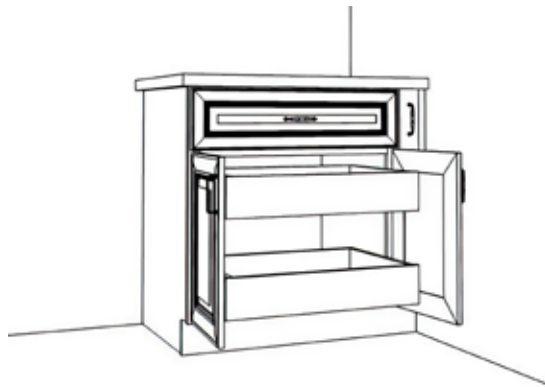
Designing Around a Range

Make sure to give landing space on each side of a cooking appliance when placing in design.



Clearance for Roll Out Trays

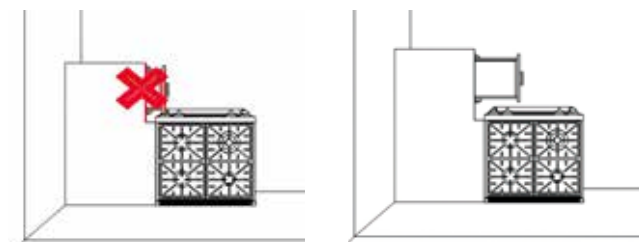
Be sure to leave enough clearance for doors to open at least 90 degrees. This will allow the roll out trays to be operated correctly.



Blind Cabinets with Drawers

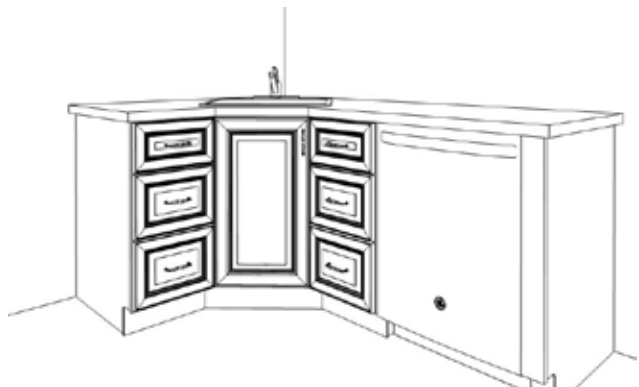
When placing a blind base cabinet, cabinet with drawer or trash pull out, make sure to allow enough clearance so drawer/pull out will open fully.

Make sure to leave enough space to allow drawer to open if placing around corner from range or appliance.



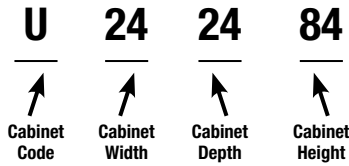
Using a Sink Front Angle

For sufficient dishwasher door clearance and loading/unloading space, a 15" wide base cabinet is recommended for use between a corner sink base and dishwasher.



TALL CABINETS

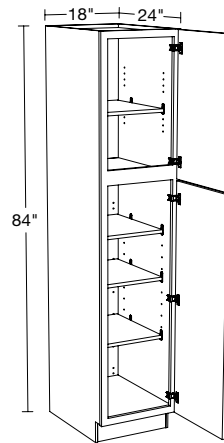
TALL CABINET CODING



- Standard Tall Cabinets are 24" deep
- Products are available in all door styles unless stated otherwise
- Standard cabinet exterior sides are color matched to face frame
- Soft close hinges unless stated otherwise

24" Deep Two Door Utility

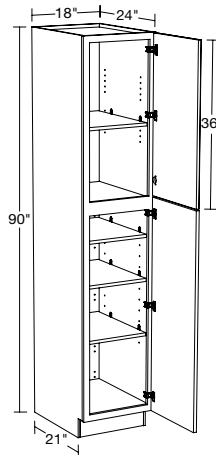
- One fixed shelf dividing upper and lower doors, four adjustable shelves
- Optional rollout trays or additional shelves available
- CUSTOM DEPTH: 9" to 23" deep
- Specify Right or Left hinge, Right hinge shown



U182484

24" Deep Two Door Utility

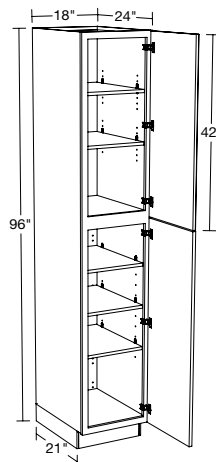
- One fixed shelf dividing upper and lower doors, four adjustable shelves
- Optional rollout trays or additional shelves available
- CUSTOM DEPTH: 9" to 23" deep
- Specify Right or Left hinge, Right hinge shown



U182490

24" Deep Two Door Utility

- One fixed shelf dividing upper and lower doors, five adjustable shelves
- Optional rollout trays or additional shelves available
- TSK96 is recommended if the cabinet will be on the end of a run
- Loose toe kick box for ease of installation
- Loose toe kick box will have a finished side, but will have a seam at bottom
- CUSTOM DEPTH: 9" to 23" deep
- Specify Right or Left hinge, Right hinge shown

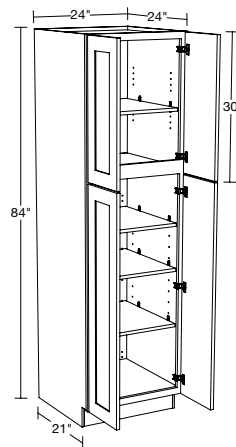


U182496

24" Deep Four Butt Door Utility

U242484

- One fixed shelf dividing upper and lower doors, four adjustable shelves
- Optional rollout trays or additional shelves available
- CUSTOM DEPTH: 9" to 23" deep

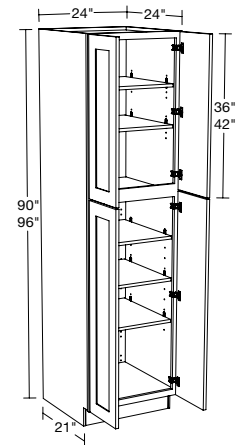


24" Deep Four Butt Door Utility

U242490

U242496

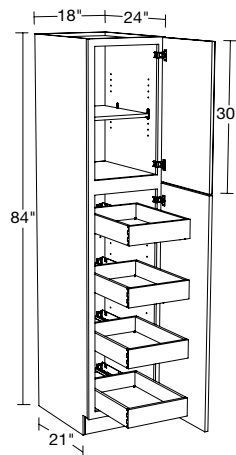
- One fixed shelf dividing upper and lower doors, five adjustable shelves
- Optional rollout trays or additional shelves available
- TSK96 is recommended if the cabinet will be on the end of a run
- On 96", loose toe kick box for ease of installation
- Loose toe kick box will have a finished side, but will have a seam at bottom
- CUSTOM DEPTH: 9" to 23" deep



24" Deep Two Door Utility with Four Rollout Trays

U182484-4T

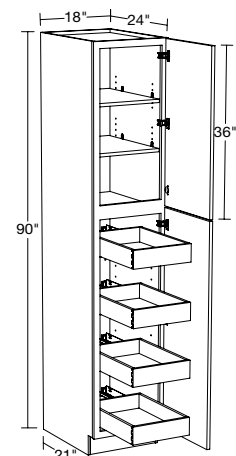
- One fixed shelf dividing upper and lower doors
- Four full width, repositionable, full extension, soft close roll-out trays
- One adjustable shelf
- Specify Right or Left hinge, Right hinge shown



24" Deep Two Door Utility with Four Rollout Trays

U182490-4T

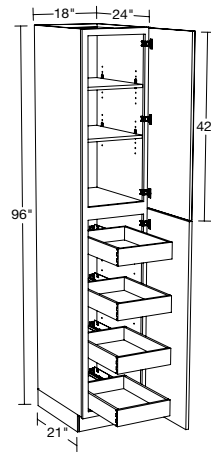
- One fixed shelf dividing upper and lower doors
- Four full width, repositionable, full extension, soft close roll-out trays
- Two adjustable shelves
- Specify Right or Left hinge, Right hinge shown



TALL CABINETS

24" Deep Two Door Utility with Four Rollout Trays

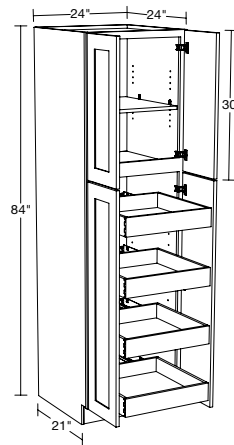
- One fixed shelf dividing upper and lower doors
- Four full width, repositionable, full extension, soft close roll-out trays
- Two adjustable shelves
- TSK96 is recommended if the cabinet will be on the end of a run
- Loose toe kick box for ease of installation
- Loose toe kick box will have a finished side, but will have a seam at bottom
- Specify Right or Left hinge, Right hinge shown



U182496-4T

24" Deep Four Butt Door Utility with Four Rollout Trays

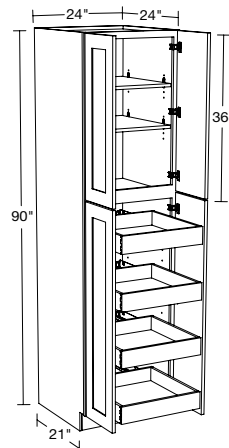
- One fixed shelf dividing upper and lower doors
- Four full width, repositionable, full extension, soft close roll-out trays
- One adjustable shelf



U242484-4T

24" Deep Four Butt Door Utility with Four Rollout Trays

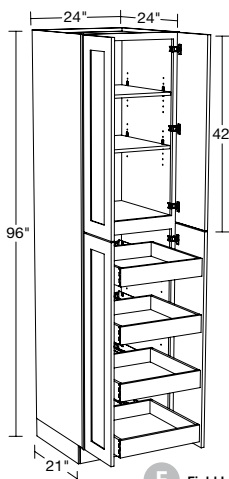
- One fixed shelf dividing upper and lower doors
- Four full width, repositionable, full extension, soft close roll-out trays
- Two adjustable shelves



U242490-4T

24" Deep Four Butt Door Utility with Four Rollout Trays

- One fixed shelf dividing upper and lower doors
- Four full width, repositionable, full extension, soft close roll-out trays
- Two adjustable shelves
- TSK96 is recommended if the cabinet will be on the end of a run
- Loose toe kick box for ease of installation
- Loose toe kick box will have a finished side, but will have a seam at bottom

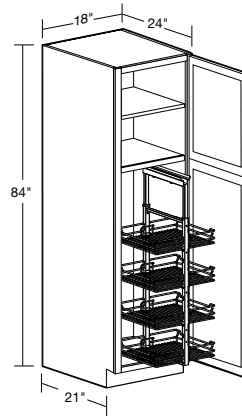


U242496-4T

24" Deep Two Door Utility with Four Pull-out Chrome Trays

- FIELD INSTALLED PULL-OUT UNIT
- Pull-out unit includes 4 chrome baskets and optional door mounts
- Top and bottom glides are soft closing and 250 lb. weight rated
- One fixed shelf dividing upper and lower door
- One adjustable upper shelf
- Specify Right or Left hinge, Right hinge shown

F A H

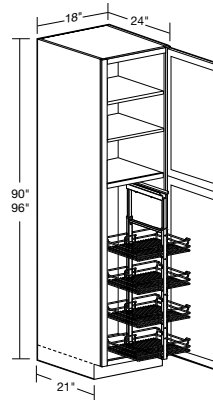


U182484-P04WS

24" Deep Two Door Utility with Four Pull-out Chrome Trays

- FIELD INSTALLED PULL-OUT UNIT
- Pull-out unit includes 4 chrome baskets and optional door mounts
- Top and bottom glides are soft closing and 250 lb. weight rated
- One fixed shelf dividing upper and lower door
- Two adjustable upper shelves
- Loose toe kick box for ease of installation
- Loose toe kick box will have a finished side, but will have a seam at bottom
- TSK96 is recommended if the cabinet will be on the end of a run
- Specify Right or Left hinge, Right hinge shown

F A H

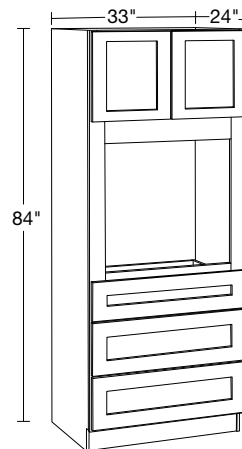


U182490-P04WS

U182496-P04WS

24" Deep Universal Oven

- Consult chart for oven cutout dimensions
- No adjustable shelf
- 3 field removable drawers
- 3" stiles in oven compartment
- For frame openings refer to page 86-88



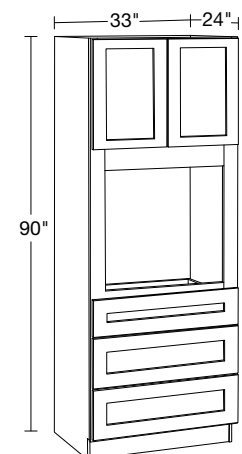
OC332484U

| CABINET | MIN. CUTOUT WIDTH | MAX. CUTOUT WIDTH | MIN. CUTOUT HEIGHT | MAX. CUTOUT HEIGHT |
|-----------|-------------------|-------------------|--------------------|--------------------|
| OC332484U | 27" | 31" | 22" | 55" |

24" Deep Universal Oven

- Consult chart for oven cutout dimensions
- One adjustable shelf
- 3 field removable drawers
- 3" stiles in oven compartment
- For frame openings refer to page 86-88

A



OC332490U

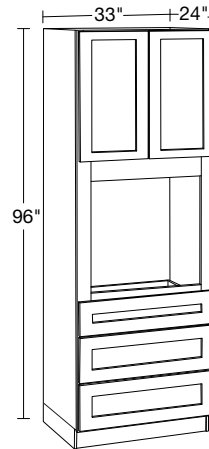
| CABINET | MIN. CUTOUT WIDTH | MAX. CUTOUT WIDTH | MIN. CUTOUT HEIGHT | MAX. CUTOUT HEIGHT |
|-----------|-------------------|-------------------|--------------------|--------------------|
| OC332490U | 27" | 31" | 22" | 55" |

TALL CABINETS

24" Deep Universal Oven

- Consult chart for oven cutout dimensions
- One adjustable shelf
- 3 field removable drawers
- 3" stiles in oven compartment
- Loose toe kick box for ease of installation
- Loose toe kick box will have a finished side, but will have a seam at bottom
- TSK96 is recommended if the cabinet will be on the end of a run
- For frame openings refer to page 86-88

A

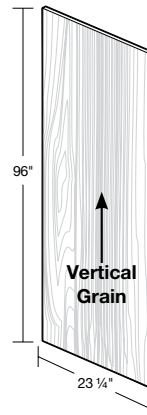


OC332496U

| CABINET | MIN. WIDTH | MAX WIDTH | MIN. HEIGHT | MAX HEIGHT |
|-----------|------------|-----------|-------------|------------|
| OC332496U | 27" | 31" | 22" | 55" |

Tall Skin

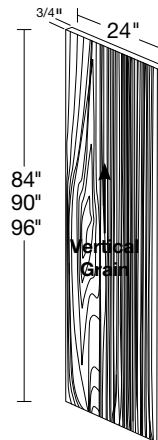
- 1/8" thick plywood finished with vinyl laminate color matched to cabinetry face frame
- Field modified and installed
- Can be modified for shallower depth and shorter tall cabinets
- Finish matches cabinetry face frame



TSK96

24" Deep x 3/4" thick Refrigerator Panel

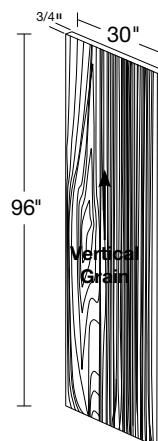
- 3/4" thick plywood panel finished with vinyl laminate color matched to cabinetry face frame
- Reversible, may be installed left or right



RP3484
RP3490
RP3496

30" Deep x 3/4" thick Refrigerator Panel

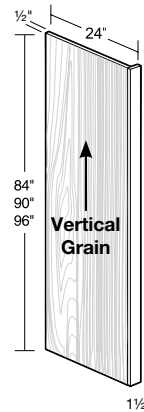
- 3/4" thick plywood panel finished with vinyl laminate color matched to cabinetry face frame
- Reversible, may be installed left or right



RP343096

24" Deep Refrigerator Panel with 1 1/2" wide Filler

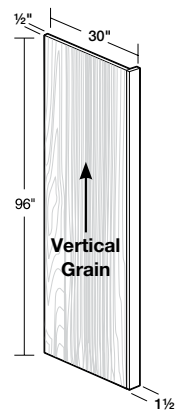
- 1 1/2" wide filler included
- Solid wood filler for stained finishes/MDF for painted and vinyl wrapped finishes
- Panel and filler supplied loose for field assembly
- Reversible, may be installed left or right
- 1/2" thick plywood panel finished with vinyl laminate color matched to cabinetry face frame
- Filler can be trimmed down by 5/8" on jobsite



RP1.584
RP1.590
RP1.596

30" Deep Refrigerator Panel with 1 1/2" wide Filler

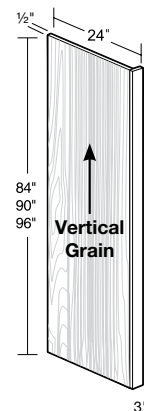
- 1 1/2" wide filler included
- Solid wood filler for stained finishes/MDF for painted and vinyl wrapped finishes
- Panel and filler supplied loose for field assembly
- Reversible, may be installed left or right
- Trimmable in field for 84" and 90" applications
- 1/2" thick plywood panel finished with vinyl laminate color matched to cabinetry face frame
- Filler can be trimmed down by 5/8" on jobsite



RP1.53096

24" Deep Refrigerator Panel with 3" wide Filler

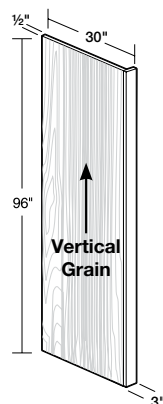
- 3" wide filler included
- Solid wood filler for stained finishes/MDF for painted and vinyl wrapped finishes
- Panel and filler supplied loose for field assembly
- Reversible, may be installed left or right
- 1/2" thick plywood panel finished with vinyl laminate color matched to cabinetry face frame
- Filler can be trimmed down by 5/8" on jobsite



RP384
RP390
RP396

30" Deep Refrigerator Panel with 3" wide Filler

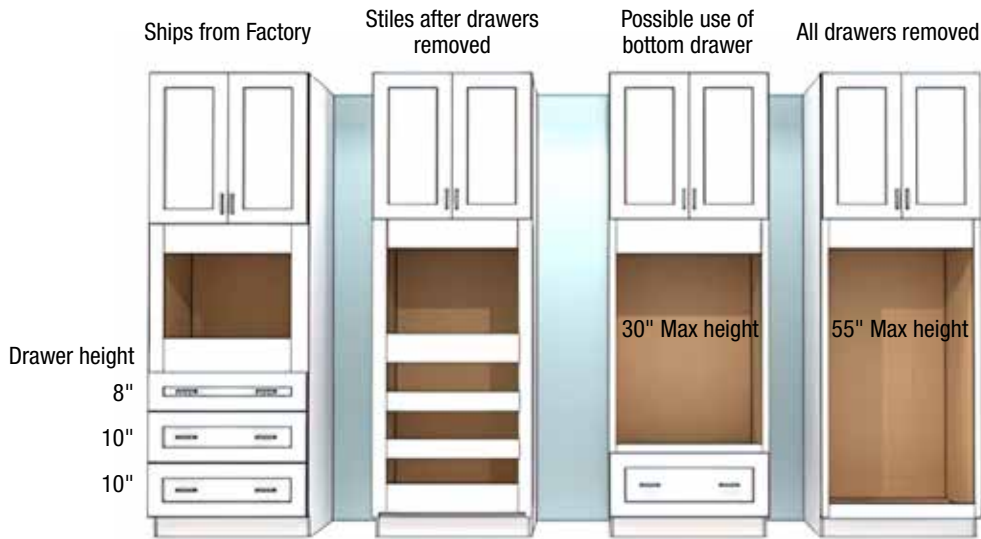
- 3" wide filler included
- Solid wood filler for stained finishes/MDF for painted and vinyl wrapped finishes
- Panel and filler supplied loose for field assembly
- Reversible, may be installed left or right
- Trimmable in field for 84" and 90" applications
- 1/2" thick plywood panel finished with vinyl laminate color matched to cabinetry face frame
- Filler can be trimmed down by 5/8" on jobsite



RP33096

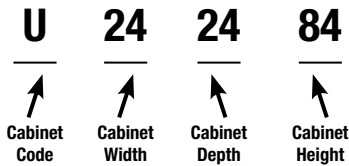
TALL CABINETS

Universal Oven Cabinet



The Universal Oven cabinet will need to be modified on the job site to fit your specific appliance. By removing the drawers and stiles between the drawers you can achieve an opening height between 21" and 55", and a maximum width of 31". The height of the upper doors will not be affected with these modifications. Your appliance size and the amount of modification required will determine if the drawers will be able to be used. In some instances, the top drawer may be dropped to the bottom position, thus allowing a drawer to remain. Installation and modification of the cabinet is completed on your job site, not in the factory. Support for the appliance is not supplied by the cabinet company and will need to be determined based on appliance manufacture requirement.

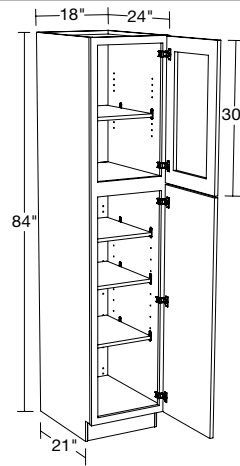
TALL CABINET CODING



- Standard Tall Cabinets are 24" deep
- Not available in WWW, WVG or WVB
- Clear glass ships separate from cabinets
- Standard cabinet exterior is color matched to face frame
- Matching interiors are standard in PFG cabinets
- Soft close hinges unless otherwise stated
- **Shelf adjustment holes on the interior sides and back of cabinets will be visible**

24" Deep Two Door Utility

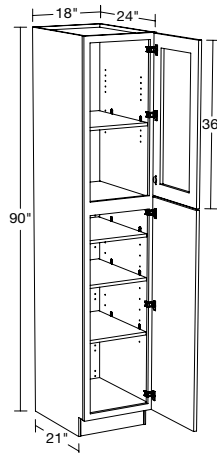
- Upper doors prepped for glass, matching cabinet interior throughout
- One fixed shelf dividing upper and lower doors, four adjustable shelves
- Optional rollout trays or additional shelves available
- CUSTOM DEPTH: 9" to 23" deep
- Specify Right or Left hinge, Right hinge shown



U182484PFG

24" Deep Two Door Utility

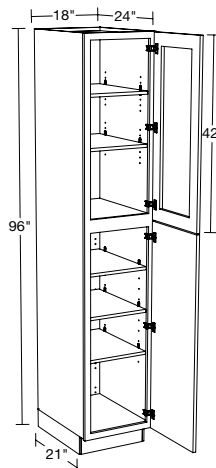
- Upper doors prepped for glass, matching cabinet interior throughout
- One fixed shelf dividing upper and lower doors, four adjustable shelves
- Optional rollout trays or additional shelves available
- CUSTOM DEPTH: 9" to 23" deep
- Specify Right or Left hinge, Right hinge shown



U182490PFG

24" Deep Two Door Utility

- Upper doors prepped for glass, matching cabinet interior throughout
- One fixed shelf dividing upper and lower doors, five adjustable shelves
- Optional rollout trays or additional shelves available
- TSK96 is recommended if the cabinet will be on the end of a run
- Loose toe kick box for ease of installation
- Loose toe kick box will have a finished side, but will have a seam at bottom
- CUSTOM DEPTH: 9" to 23" deep
- Specify Right or Left hinge, Right hinge shown

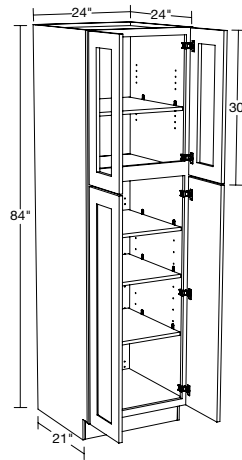


U182496PFG

TALL CABINETS WITH GLASS DOORS

24" Deep Four Butt Door Utility

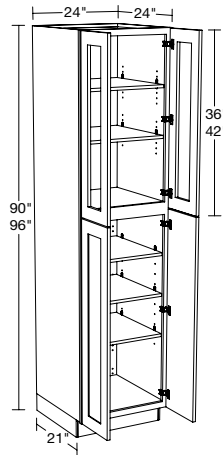
- Upper doors prepped for glass, matching cabinet interior throughout
- One fixed shelf dividing upper and lower doors, four adjustable shelves
- Optional rollout trays or additional shelves available
- CUSTOM DEPTH: 9" to 23" deep



U242484PFG

24" Deep Four Butt Door Utility

- Upper doors prepped for glass, matching cabinet interior throughout
- One fixed shelf dividing upper and lower doors, five adjustable shelves
- Optional rollout trays or additional shelves available
- On 96", loose toe kick box for ease of installation
- Loose toe kick box will have a finished side, but will have a seam at bottom
- For 96" unit TSK96 is recommended if the cabinet will be on the end of a run
- CUSTOM DEPTH: 9" to 23"

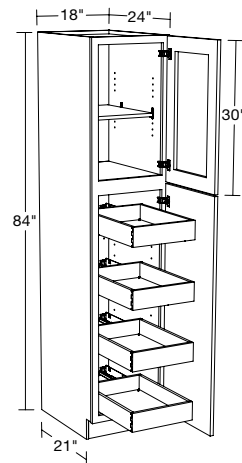


U242490PFG

U242496PFG

24" Deep Two Door Utility with Four Rollout Trays

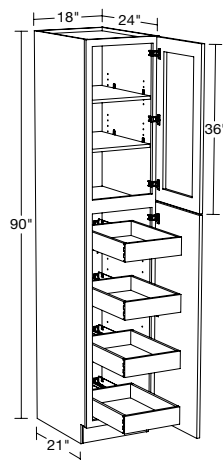
- Upper doors prepped for glass, matching cabinet interior throughout
- One fixed shelf dividing upper and lower doors
- Four full width, repositionable, full extension, soft close roll-out trays in natural wood color
- One adjustable shelf
- Specify Right or Left hinge, Right hinge shown



U182484PFG-4T

24" Deep Two Door Utility with Four Rollout Trays

- Upper doors prepped for glass, matching cabinet interior throughout
- One fixed shelf dividing upper and lower doors
- Four full width, repositionable, full extension, soft close roll-out trays in natural wood color
- Two adjustable shelves
- Specify Right or Left hinge, Right hinge shown



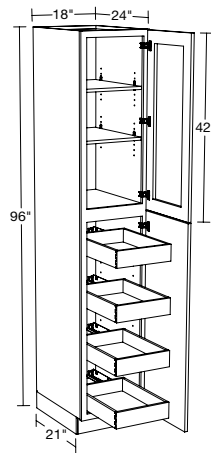
U182490PFG-4T

TALL CABINETS WITH GLASS DOORS

24" Deep Two Door Utility with Four Rollout Trays

- Upper doors prepped for glass, matching cabinet interior throughout
- One fixed shelf dividing upper and lower doors
- Four full width, repositionable, full extension, soft close roll-out trays in natural wood color
- Two adjustable shelves
- TSK96 is recommended if the cabinet will be on the end of a run
- Loose toe kick box for ease of installation
- Loose toe kick box will have a finished side, but will have a seam at bottom
- Specify Right or Left hinge, Right hinge shown

A H

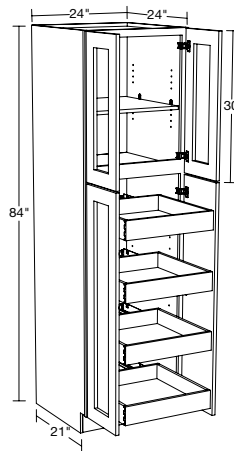


U182496PFG-4T

24" Deep Four Butt Door Utility with Four Rollout Trays

- Upper doors prepped for glass, matching cabinet interior throughout
- One fixed shelf dividing upper and lower doors
- Four full width, repositionable, full extension, soft close roll-out trays
- One adjustable shelf

A

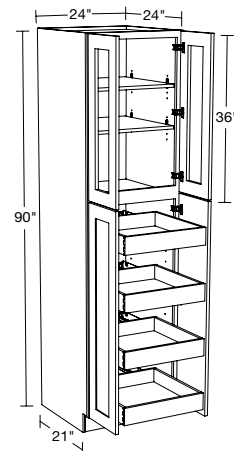


U242484PFG-4T

24" Deep Four Butt Door Utility with Four Rollout Trays

- Upper doors prepped for glass, matching cabinet interior throughout
- One fixed shelf dividing upper and lower doors
- Four full width, repositionable, full extension, soft close roll-out trays
- Two adjustable shelves

A

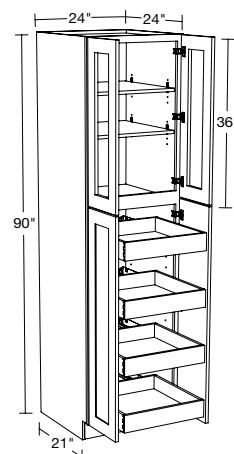


U242490PFG-4T

24" Deep Four Butt Door Utility with Four Rollout Trays

- Upper doors prepped for glass, matching cabinet interior throughout
- One fixed shelf dividing upper and lower doors
- Four full width, repositionable, full extension, soft close roll-out trays
- Two adjustable shelves
- Loose toe kick box for ease of installation
- Loose toe kick box will have a finished side, but will have a seam at bottom
- TSK96 is recommended if the cabinet will be on the end of a run

A

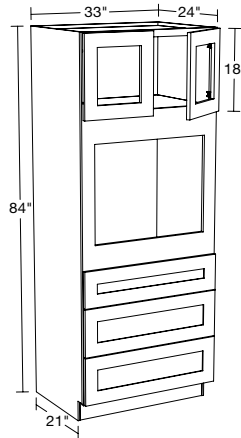


U242496PFG-4T

TALL CABINETS WITH GLASS DOORS

24" Deep Universal Oven

- Upper doors prepped for glass, matching cabinet interior throughout
- Consult chart for oven cutout dimensions
- No adjustable shelf
- 3 field removable drawers
- 3" stiles in oven compartment
- For frame openings refer to page 86-88

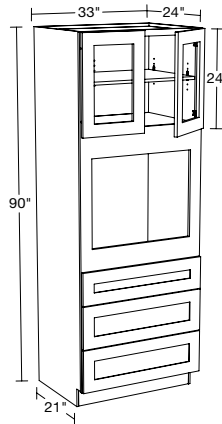


OC332484PFGU

| CABINET | MIN. CUTOUT WIDTH | MAX CUTOUT WIDTH | MIN. CUTOUT HEIGHT | MAX CUTOUT HEIGHT |
|-----------|-------------------|------------------|--------------------|-------------------|
| OC332484U | 27" | 31" | 22" | 55" |

24" Deep Universal Oven

- Upper doors prepped for glass, matching cabinet interior throughout
- Consult chart for oven cutout dimensions
- One adjustable shelf
- 3 field removable drawers
- 3" stiles in oven compartment
- For frame openings refer to page 86-88



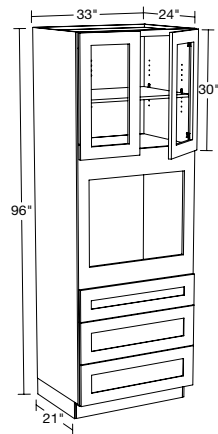
OC332490PFGU

| CABINET | MIN. CUTOUT WIDTH | MAX CUTOUT WIDTH | MIN. CUTOUT HEIGHT | MAX CUTOUT HEIGHT |
|-----------|-------------------|------------------|--------------------|-------------------|
| OC332490U | 27" | 31" | 22" | 55" |

A

24" Deep Universal Oven

- Upper doors prepped for glass, matching cabinet interior throughout
- Consult chart for oven cutout dimensions
- One adjustable shelf
- 3 field removable drawers
- 3" stiles in oven compartment
- Loose toe kick box for ease of installation
- Loose toe kick box will have a finished side, but will have a seam at bottom
- TSK96 is recommended if the cabinet will be on the end of a run
- For frame openings refer to page 86-88



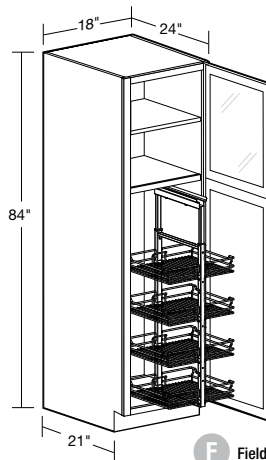
OC332496PFGU

| CABINET | MIN. WIDTH | MAX WIDTH | MIN. HEIGHT | MAX HEIGHT |
|-----------|------------|-----------|-------------|------------|
| OC332496U | 27" | 31" | 22" | 55" |

A

24" Deep Two Door Utility with Four Pull-out Chrome Trays

- Upper doors prepped for glass, matching cabinet interior throughout
- FIELD INSTALLED PULL-OUT UNIT
- Pull-out unit includes 4 chrome baskets and optional door mounts
- Top and bottom glides are soft closing and 250 lb. weight rated
- One fixed shelf dividing upper and lower door
- One adjustable upper shelf
- Specify Right or Left hinge, Right hinge shown



U182484PFG-P04WS

F A H

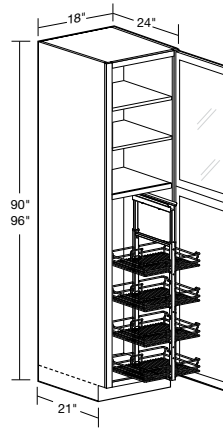
F Field Installed A Adjustable Shelf H L or R Hinge C Custom Depth

TALL CABINETS WITH GLASS DOORS

24" Deep Two Door Utility with Four Pull-out Chrome Trays

- Upper doors prepped for glass, matching cabinet interior throughout
- FIELD INSTALLED PULL-OUT UNIT
- Pull-out unit includes 4 chrome baskets and optional door mounts
- Top and bottom glides are soft closing and 250 lb. weight rated
- One fixed shelf dividing upper and lower door
- Two adjustable upper shelves
- TSK96 is recommended if the cabinet will be on the end of a run
- Loose toe kick box for ease of installation
- Loose toe kick box will have a finished side, but will have a seam at bottom
- Specify Right or Left hinge, Right hinge shown

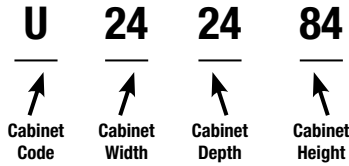
F A H



U182490PFG-P04WS
U182496PFG-P04WS

TALL CABINETS WITH NO DOORS

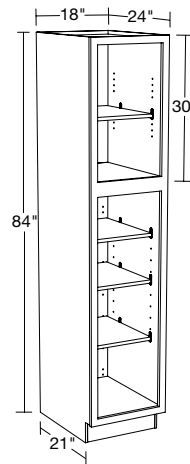
TALL CABINET CODING



- Standard Tall Cabinets are 24" deep
- Standard cabinet exterior sides are color matched to face frame
- Matching interiors are standard in tall cabinets with no doors
- **Shelf adjustment holes on the interior sides and back of cabinets will be visible**

24" Deep No Door Utility

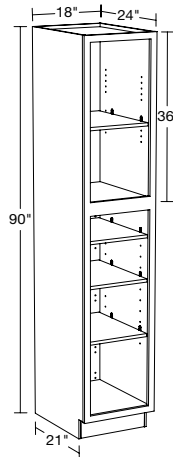
- One fixed shelf dividing upper and lower section, four adjustable shelves
- CUSTOM DEPTH: 9" to 23" deep



U182484ND

24" Deep No Door Utility

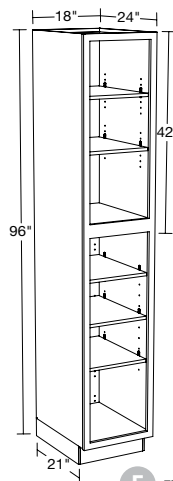
- One fixed shelf dividing upper and lower section, four adjustable shelves
- CUSTOM DEPTH: 9" to 23" deep



U182490ND

24" Deep No Door Utility

- One fixed shelf dividing upper and lower section, five adjustable shelves
- TSK96 is recommended if the cabinet will be on the end of a run
- Loose toe kick box for ease of installation
- Loose toe kick box will have a finished side, but will have a seam at bottom
- CUSTOM DEPTH: 9" to 23" deep

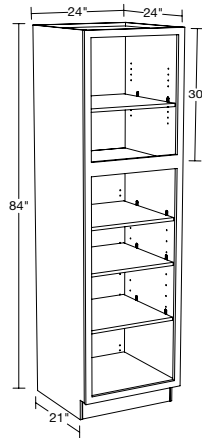


U182496ND

TALL CABINETS WITH NO DOORS

24" Deep No Door Utility

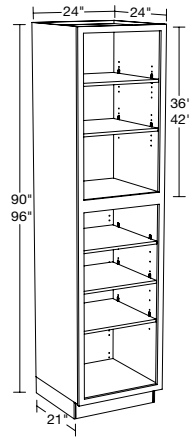
- One fixed shelf dividing upper and lower section, four adjustable shelves
- CUSTOM DEPTH: 9" to 23" deep



U242484ND

24" Deep No Door Utility

- One fixed shelf dividing upper and lower section, five adjustable shelves
- On 96", loose toe kick box for ease of installation
- Loose toe kick box will have a finished side, but will have a seam at bottom
- For 96" unit TSK96 is recommended if the cabinet will be on the end of a run
- CUSTOM DEPTH: 9" to 23" deep



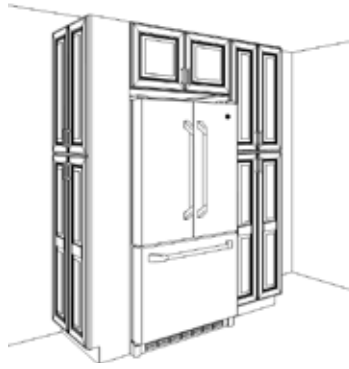
U242490ND

U242496ND

TALL CABINETS

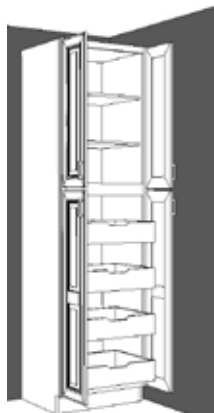
Customizing the Depth of a Tall Cabinet

Customize the depth of a 24" wide utility cabinet (U242484, U242490, or U242496) down to 12" and use it facing out next to a refrigerator or another utility cabinet for shallow food storage, storing brooms/mops, or create a hidden message center.



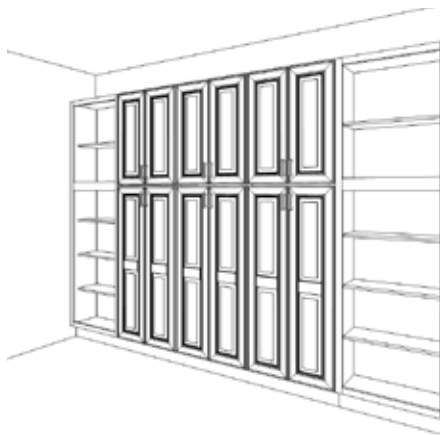
Clearance for Roll Out Trays

Make sure to leave enough clearance for door to open at least 90 degrees when placing next to wall or refrigerator cabinet.



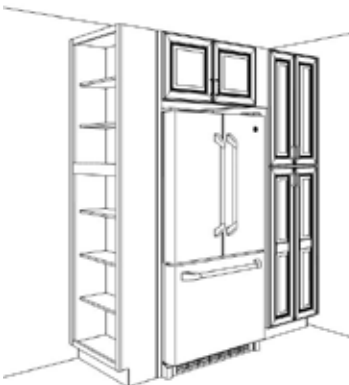
Customizing the Depth of a Tall Cabinet

A narrow alcove in your kitchen or a pantry like storage area can be transformed into an entire wall of open and closed storage by using a combination of ND and Standard Utility cabinets with a reduced depth.

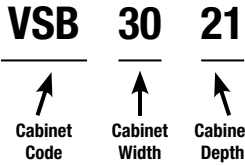


Customizing the Depth of a Tall Cabinet

Customize the depth of a 24" wide Utility cabinet with no doors (U242484ND, U242490ND, or U242496ND) down to 12" and use it facing out next to a refrigerator or another utility cabinet for open storage and an interesting transition in the kitchen.



VANITY CABINET CODING



- Standard Vanity Base Cabinets are 21" deep and 34½" high
- Cabinet depth does not include door thickness
- Custom Depths are available where indicated. Use Standard Base Cabinet coding to order as specified.
- Products are available in all door styles unless stated otherwise
- Standard cabinet exterior sides are color matched to face frame
- Soft close unless otherwise stated

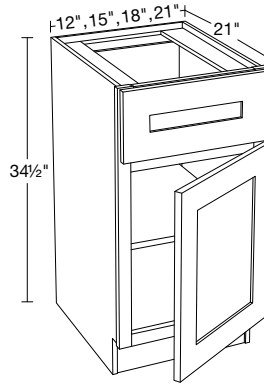
21" Deep Single Door Vanity Base

- One full depth adjustable shelf
- One standard drawer
- Specify Right or Left hinge, Right hinge shown



For Custom Depths

- Order B12, B15, B18 or B21
- Select 9" to 23" depth
- 9" to 14" deep have false fronts & no drawer



**STANDARD
21" DEPTHS**

VB1221
VB1521
VB1821
VB2121

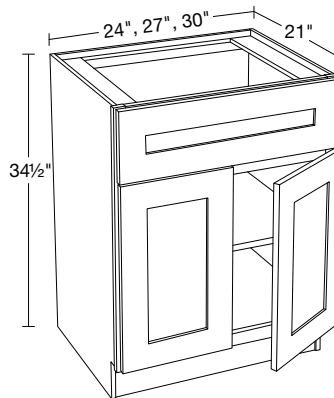
21" Deep Double Door Vanity Base

- One full depth adjustable shelf
- One standard drawer



For Custom Depths

- Order B24, B27 or B30
- Select 9" to 23" depth
- 9" to 14" deep have false fronts & no drawer



**STANDARD
21" DEPTHS**

VB2421
VB2721
VB3021

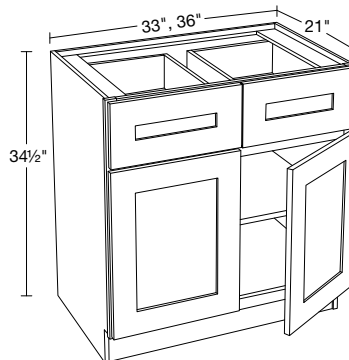
21" Deep Double Door Vanity Base

- One full depth adjustable shelf
- Two standard drawers



For Custom Depths

- Order B33 or B36
- Select 9" to 23" depth
- 9" to 14" deep have false fronts & no drawer



**STANDARD
21" DEPTHS**

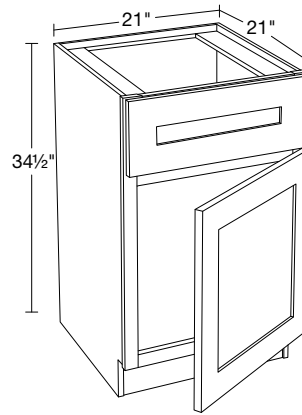
VB3321
VB3621

VANITY & DESK CABINETS

21" Deep Single Door Vanity Sink Base

- Maximum sink cutout 19" wide
- No shelf
- False drawer front
- Specify Right or Left hinge, Right hinge shown

H



**STANDARD
21" DEPTHS**

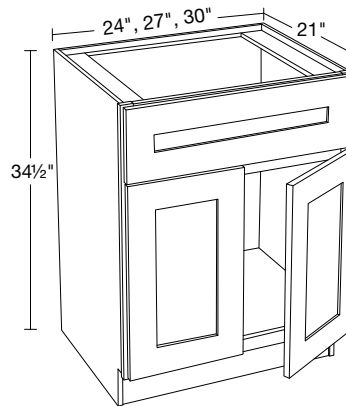
VSB2121

For Custom Depths

- Order SB21
- Select 9" to 23" depth

21" Deep Double Door Vanity Sink Base

- No shelf
- False drawer front



**STANDARD
21" DEPTHS**

VSB2421

VSB2721

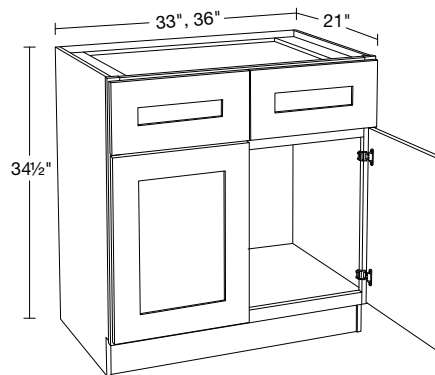
VSB3021

For Custom Depths

- Order SB24, SB27 or SB30
- Select 9" to 23" depth

21" Deep Double Door Vanity Sink Base

- No shelf, two false fronts



**STANDARD
21" DEPTHS**

VSB3321

VSB3621

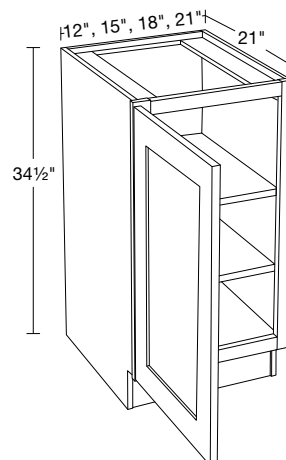
For Custom Depths

- Order SB33 or SB36
- Select 9" to 23" depth

21" Deep Single Full Height Door Vanity Base

- Two adjustable shelves
- Specify Right or Left hinge, Left hinge shown

A H



**STANDARD
21" DEPTHS**

VB1221FH

VB1521FH

VB1821FH

VB2121FH

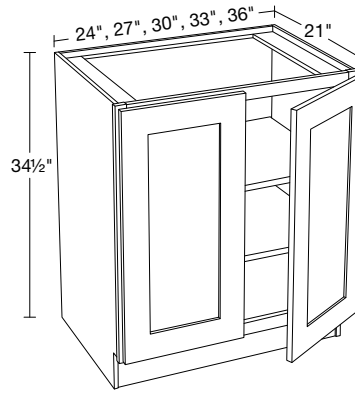
For Custom Depths

- Order B12FH, B15FH, B18FH or B21FH
- Select 9" to 23" depth

21" Deep Double Full Height Door Vanity Base

- Two adjustable shelves

A



**STANDARD
21" DEPTHS**

**VB2421FH
VB2721FH
VB3021FH
VB3321FH
VB3621FH**

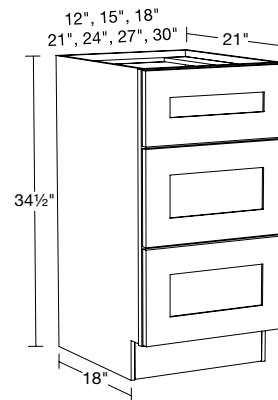
For Custom Depths

- Order B24FH, B27FH, B30FH or B36FH
- Select 9" to 23" depth

21" Deep Vanity Base Drawer

- One standard drawer
- Two deep drawers

*Maximum drawer handle width for drawers is 4" wide for raised panel styles, 5 1/2" wide for recessed panel styles.



**STANDARD
21" DEPTHS**

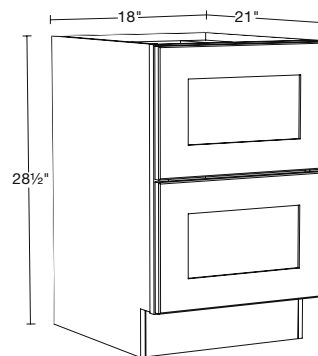
**VBD1221*
VBD1521
VBD1821
VBD2121
VBD2421
VBD2721
VBD3021**

For Custom Depths

- Order BD12, BD15, BD18, BD21, BD24, BD27, or BD30
- Select 15" to 23" depth

21" Deep Desk Drawer

- Two standard drawers*
- Comfortable height for dressing table or writing surface
- Not available in WWW, WVG or WVB door styles
- *Does not support hanging files.

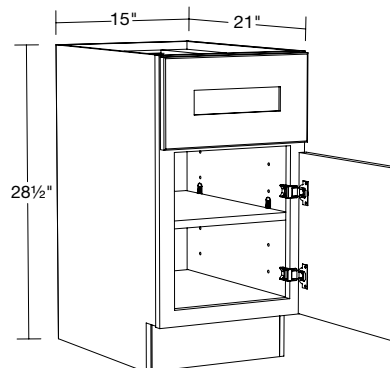


DDR18

21" Deep Desk Door

- One adjustable shelf
- Comfortable height for dressing table or writing surface
- Not available in WWW, WVG or WVB door styles
- Specify Right or Left hinge, Right hinge shown

A H



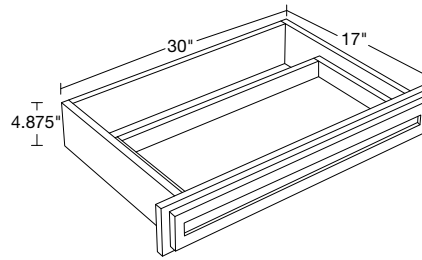
DD015

VANITY & DESK CABINETS

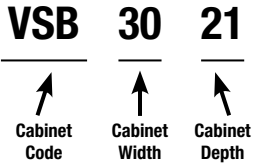
21" Deep Desk Knee Drawer

DKD30

- One full width pencil/cosmetic drawer
- Knee drawer is designed for use between two base cabinets
- Comfortable height for dressing table or writing surface when installed at 28½" height with 1½" thick countertop
- Slab drawer front all door styles
- May be trimmed up to 1" on each side
- Full Extension Soft-Close Runner Not Available
- Not available in WWW, WVG or WVB door styles



VANITY CABINET CODING

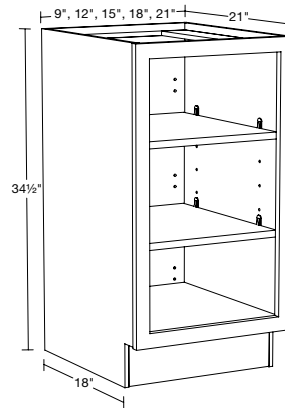


- Standard Vanity Base Cabinets are 21" deep and 34½" high
- Matching interiors are standard in vanity cabinets with no doors
- Custom Depths are available where indicated. Use Standard Base Cabinet coding to order as specified.
- Products are available in all door styles unless stated otherwise
- Standard cabinet exterior sides are color matched to face frame
- Shelf adjustment holes on the interior sides and back of cabinets will be visible

21" Deep Single Full Height Door Vanity Base

- Two adjustable shelves that match cabinet interior finish

A



**STANDARD
21" DEPTHS**

**VB1221ND
VB1521ND
VB1821ND
VB2121ND**

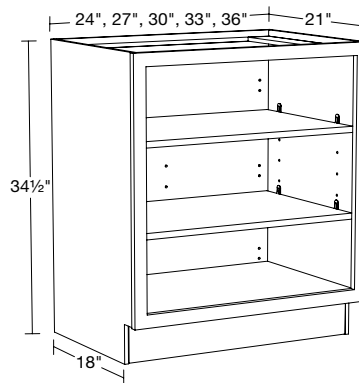
For Custom Depths

- Order B12ND, B15ND, B18ND or B21ND
- Select 9" to 23" depth

21" Deep Double Full Height Door Vanity Base

- Two adjustable shelves that match cabinet interior finish

A



**STANDARD
21" DEPTHS**

**VB2421ND
VB2721ND
VB3021ND
VB3321ND
VB3621ND**

For Custom Depths

- Order B24ND, B27ND, B30ND or B36ND
- Select 9" to 23" depth

Using ND Vanity Cabinets

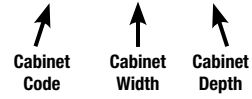
Use an ND cabinet as narrow as VB1521ND in your bathroom to store rolled towels or wash cloths



VANITY LINEN CABINETS

VANITY CABINET CODING

VLC 30 21



- Standard Vanity Cabinets are 21" deep
- Cabinet depth does not include door thickness
- Custom Depths are available where indicated. Use Standard Base Cabinet coding to order as specified.
- Not available in WWW, WVG or WVB
- Standard cabinet exterior sides are color matched to face frame
- Shelf adjustment holes on the interior sides and back of cabinets will be visible

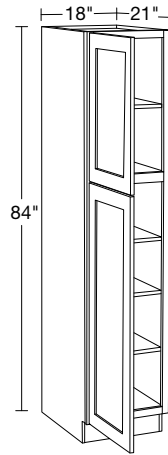
21" Deep Two Door Linen

- One fixed shelf dividing upper and lower sections, four adjustable shelves
- Specify Right or Left hinge, Left hinge shown



For Custom Depths

- Order U182484
- Select 9" to 23" depth



**STANDARD
21" DEPTHS**

VLC182184

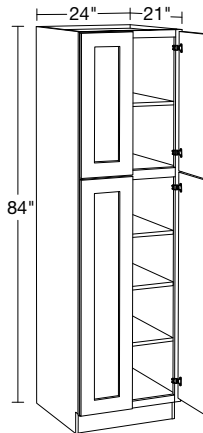
21" Deep Four Door Linen

- One fixed shelf dividing upper and lower sections, four adjustable shelves



For Custom Depths

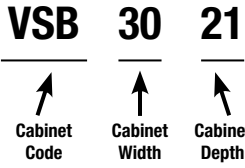
- Order U242484
- Select 9" to 23" depth



**STANDARD
21" DEPTHS**

VLC242184

VANITY CABINET CODING



- Standard Vanity Base Cabinets are 21" deep and 34½" high
- Matching interiors are standard in vanity cabinets with no doors
- Custom Depths are available where indicated. Use Standard Base Cabinet coding to order as specified.
- Products are available in all door styles unless stated otherwise
- Standard cabinet exterior sides are color matched to face frame
- Shelf adjustment holes on the interior sides and back of cabinets will be visible

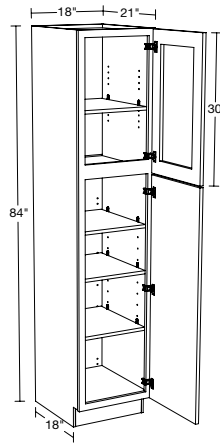
21" Deep Two Door Linen

- Upper doors prepped for glass, matching cabinet interior throughout
- One fixed shelf dividing upper and lower doors, four adjustable shelves
- Specify Right or Left hinge, Left hinge shown



For Custom Depths

- Order U182484PFG
- Select 9" to 23" depth



**STANDARD
21" DEPTHS
VLC182184PFG**

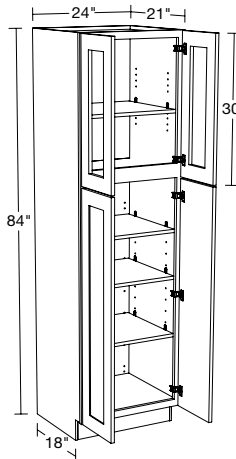
21" Deep Four Door Linen

- Upper doors prepped for glass, matching cabinet interior throughout
- One fixed shelf dividing upper and lower doors, four adjustable shelves



For Custom Depths

- Order U242484PFG
- Select 9" to 23" depth

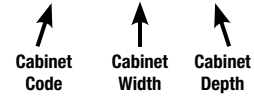


**STANDARD
21" DEPTHS
VLC242184PFG**

VANITY LINEN CABINETS WITH NO DOORS

VANITY CABINET CODING

VLC 30 21



- Standard Vanity Linen Cabinets are 21" deep
- Custom Depths are available where indicated. Use Standard Base Cabinet coding to order as specified.
- Products are available in all door styles unless stated otherwise
- Standard cabinet exterior sides are color matched to face frame
- Matching interiors are standard in vanity linen cabinets with no doors
- Shelf adjustment holes on the interior sides and back of cabinets will be visible

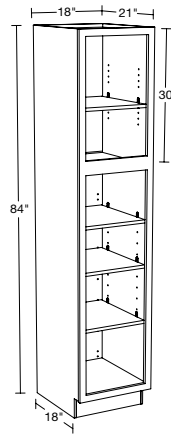
21" Deep No Door Linen

- One fixed shelf dividing upper and lower sections, four adjustable shelves

A

For Custom Depths

- Order U182484ND
- Select 9" to 23" depth



**STANDARD
21" DEPTHS
VLC182184ND**

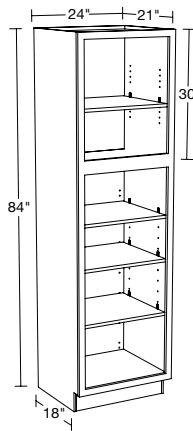
21" Deep No Door Linen

- One fixed shelf dividing upper and lower sections, four adjustable shelves

A

For Custom Depths

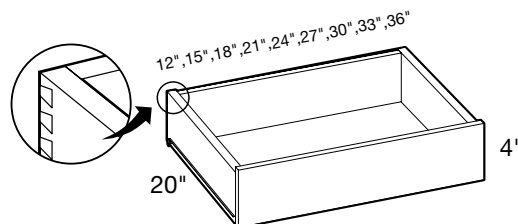
- Order U242484ND
- Select 9" to 23" depth



**STANDARD
21" DEPTHS
VLC242184ND**

Rollout Tray Kits

- 5/8" Solid wood dovetail construction
- Includes full extension smooth-glide under-mounted runners
- Soft Close Included
- 90 lb. load capacity
- Available for use in base and tall cabinets
- Field-install into factory pre-drilled locations only
- Consult availability guide
- Roll out trays not available for Vanity Linen Cabinets or reduced depth cabinets.
- The roll out trays are natural birch in color and will not be color matched if added to a PFG or No door cabinet with matching interior.



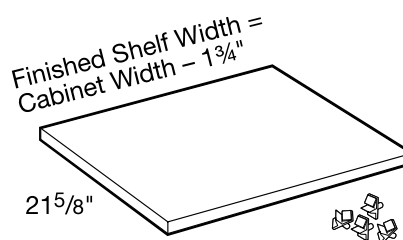
ROT12
ROT15
ROT18
ROT21
ROT24
ROT27
ROT30
ROT33
ROT36

ROLL-OUT TRAY KIT AVAILABILITY GUIDE

| PART# | DESIGNED TO FIT | ACTUAL WIDTH |
|-------|-------------------------------------|--------------|
| ROT12 | B12, B12FH | 8" |
| ROT15 | B15, B15FH | 11" |
| ROT18 | B18, B18FH, U182484 / 90 / 96 | 14" |
| ROT21 | B21, B21FH | 17" |
| ROT24 | B24, B24FH, SB24, U242484 / 90 / 96 | 20" |
| ROT27 | B27, B27FH, SB27 | 23" |
| ROT30 | B30, B30FH, SB30 | 26" |
| ROT33 | B33, B33FH, SB33 | 29" |
| ROT36 | B36, B36FH, SB36 | 32" |

Base Cabinet Shelf Kits

- 3/4" Thick plywood faced with natural birch vinyl laminate and matching edgebanding.
- Edgebanded on front edge
- One shelf and set of clips per kit
- Consult availability guide



SK1224
SK1524
SK1824
SK2124
SK2424
SK2724
SK3024
SK3324
SK3624

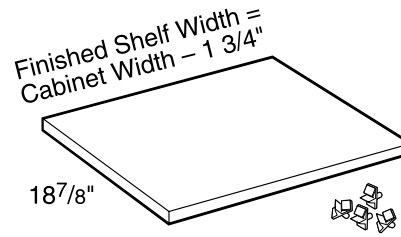
SHELF KIT AVAILABILITY GUIDE

| PART# | DESIGNED TO FIT | ACTUAL WIDTH |
|--------|---|--------------------|
| SK1224 | B12, B12FH | 10 $\frac{1}{4}$ " |
| SK1524 | B15, B15FH | 13 $\frac{1}{4}$ " |
| SK1824 | B18, B18FH, U182484/96 | 16 $\frac{1}{4}$ " |
| SK2124 | B21, B21FH | 19 $\frac{1}{4}$ " |
| SK2424 | B24, B24FH, SB24, U242484 / 90 / 96 | 22 $\frac{1}{4}$ " |
| SK2724 | B27, B27FH, SB27 | 25 $\frac{1}{4}$ " |
| SK3024 | B30, B30FH, SB30, BBCU39 | 28 $\frac{1}{4}$ " |
| SK3324 | B33, B33FH, SB33, OC332484U / 90U / 96U | 31 $\frac{1}{4}$ " |
| SK3624 | B36, B36FH, SB36, BBCU42 | 34 $\frac{1}{4}$ " |

ACCESSORIES

Vanity Shelf Kit

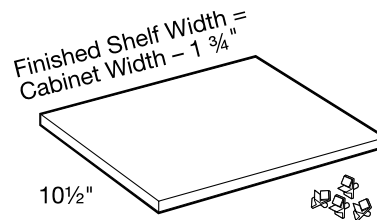
- 3/4" Thick plywood faced with natural birch vinyl laminate and matching edgebanding.
- Edgebanded on front edge
- One shelf and set of clips per kit
- Consult availability guide
- EXAMPLE: 36" wide vanity cabinet uses VSK3621



- VSK1221
- VSK1521
- VSK1821
- VSK2121
- VSK2421
- VSK2721
- VSK3021
- VSK3321
- VSK3621

Wall Cabinet Shelf Kits

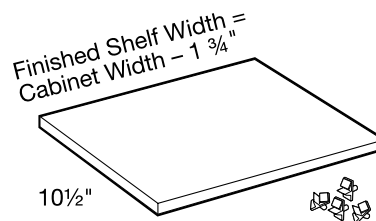
- 3/4" Thick plywood faced with natural birch vinyl laminate and matching edgebanding
- Edgebanded on front edge
- One shelf and set of clips per kit
- EXAMPLE: 36" wide wall cabinet uses SK3612



- SK1212
- SK1512
- SK1812
- SK2112
- SK2412
- SK2712
- SK3012
- SK3312
- SK3612

Matching Interior Wall Cabinet Shelf Kits

- Shelf kits are 3/4" thick plywood finished with vinyl laminate and matching edgebanding color matched to cabinetry face frame
- Edgebanded on front edge
- One shelf and set of clips per kit
- Consult availability guide
- EXAMPLE: 36" wide wall cabinet uses SK3612MI

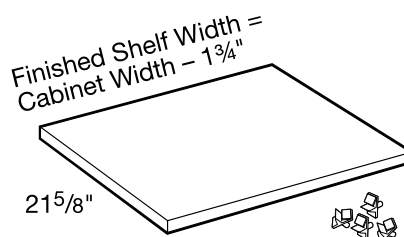


- SK1212MI
- SK1512MI
- SK1812MI
- SK2112MI
- SK2412MI
- SK2712MI
- SK3012MI
- SK3312MI
- SK3612MI

| SHELF KIT AVAILABILITY GUIDE FOR WALLS | | |
|--|---------------------------------------|--------------|
| PART# | DESIGNED TO FIT | ACTUAL WIDTH |
| SK1212MI | W1230/36/42-PFG, W1230/36/42-ND | 10 1/4" |
| SK1512MI | W1530/36/42-PFG, W1530/36/42-ND | 13 1/4" |
| SK1812MI | W1830/36/42-PFG, W1830/36/42-ND | 16 1/4" |
| SK2112MI | W2130/36/42-PFG, W2130/36/42-ND | 19 1/4" |
| SK2412MI | W2430/36/42-PFG, W2430/36/42-ND | 22 1/4" |
| SK2712MI | W2730/36/42-PFG, W2730/36/42-ND | 25 1/4" |
| SK3012MI | W3024/30/36/42-PFG, W3024/30/36/42-ND | 28 1/4" |
| SK3312MI | W3330/36/42-PFG, W3330/36/42-ND | 31 1/4" |
| SK3612MI | W3624/30/36/42-PFG, W3624/30/36/42-ND | 34 1/4" |

Matching Interior Base Cabinet Shelf Kits

- Shelf kits are 3/4" thick plywood finished with vinyl laminate and matching edgebanding color matched to cabinetry face frame
- Edgebanded on front edge
- One shelf and set of clips per kit
- Consult availability guide

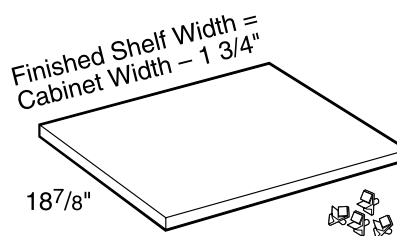


- SK1224MI
- SK1524MI
- SK1824MI
- SK2124MI
- SK2424MI
- SK2724MI
- SK3024MI
- SK3324MI
- SK3624MI

| SHELF KIT AVAILABILITY GUIDE FOR BASES/TALLS | | |
|--|--|----------------------------------|
| PART# | DESIGNED TO FIT | ACTUAL WIDTH |
| SK1224MI | B12ND | 10 ¹ / ₄ " |
| SK1524MI | B15ND | 13 ¹ / ₄ " |
| SK1824MI | B18ND, U182484/90/96-PFG, U182484/90/96-ND | 16 ¹ / ₄ " |
| SK2124MI | B21ND | 19 ¹ / ₄ " |
| SK2424MI | B24ND, U242484/90/96-PFG, U242484/90/96-ND | 22 ¹ / ₄ " |
| SK2724MI | B27ND | 25 ¹ / ₄ " |
| SK3024MI | B30ND, W302424PFG, W302424ND | 28 ¹ / ₄ " |
| SK3324MI | B33ND, OC332484/90/96U | 31 ¹ / ₄ " |
| SK3624MI | B36ND, W362424PFG, W362424ND | 34 ¹ / ₄ " |

Matching Interior Vanity Shelf Kit

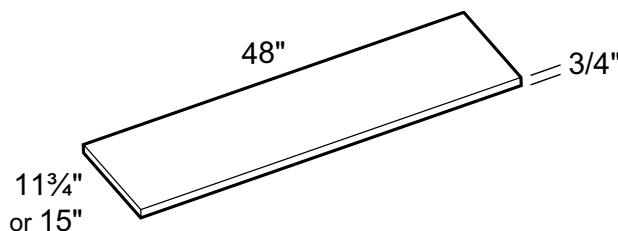
- Shelf kits are 3/4" thick plywood finished with vinyl laminate and matching edgebanding color matched to cabinetry face frame
- Edgebanded on front edge
- EXAMPLE: 36" wide vanity cabinet uses VSK3621MI



- VSK1221MI
- VSK1521MI
- VSK1821MI
- VSK2121MI
- VSK2421MI
- VSK2721MI
- VSK3021MI
- VSK3321MI
- VSK3621MI

Wood Furniture Shelf

- 3/4" thick plywood color matched to cabinetry face frame
- Two long sides edgebanded
- DESIGN TIP: Use a wood furniture shelf to finish the bottom of bridge cabinets where you will be able to see the underside of the cabinet. For example: Over a sink

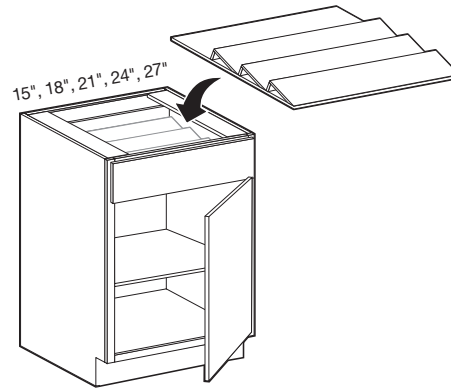


- WFS48
- WFS4815

ACCESSORIES

Spice Drawer Insert

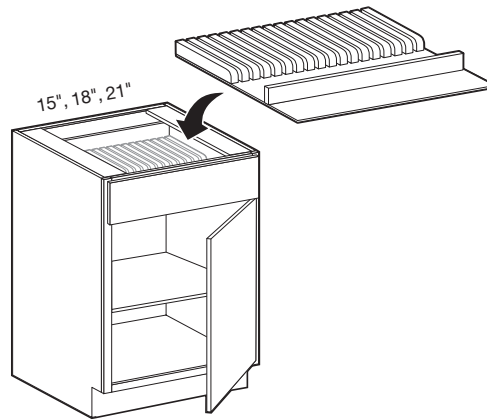
- Solid hardwood drawer insert
- Three 5" high angled tiers
- Rear 4" deep compartment
- Sized to fit inside 15", 18", 21", 24", 27" wide drawers
- Not for use in custom-depth cabinets



SDI15
SDI18
SDI21
SDI24
SDI27

Knife Block Insert

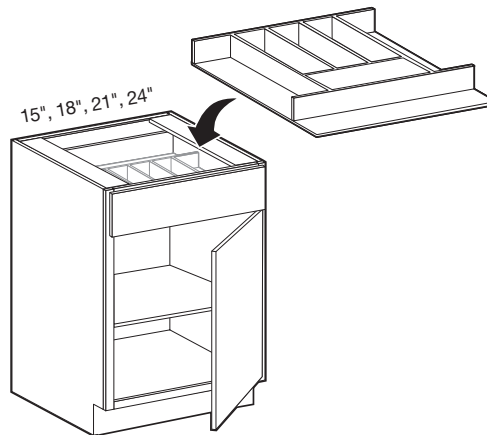
- Solid hardwood drawer insert
- One full width front utensil compartment
- KBI15: 10 knife slots + utensil compartment (fits B15, BD15)
- KBI18: 13 knife slots + utensil compartment (fits B18, BD18, B36, BD36)
- KBI21: 16 knife slots + utensil compartment (fits B21)
- Not for use in custom-depth cabinets



KBI15
KBI18
KBI21

Cutlery Divider Tray

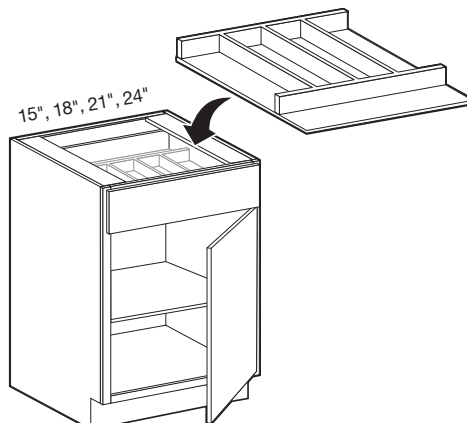
- Solid hardwood drawer insert
- One full width front utensil compartment
- CDT15: 6 compartments 10"-14" deep (fits B15, BD15)
- CDT18: 6 compartments 10"-14" deep (fits B18, BD18, B36, BD36)
- CDT21: 8 compartments 10"-14" deep (fits B21)
- CDT24: 8 compartments 10"-14" deep (fits B24, BD24)
- Not for use in custom-depth cabinets



CDT15
CDT18
CDT21
CDT24

Utensil Divider Tray

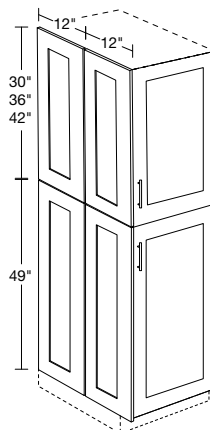
- Solid hardwood drawer insert
- One full width front utensil compartment
- UTD15: 2 additional compartments 16" deep (fits B15, BD15)
- UTD18: 4 additional compartments 16" deep (fits B18, BD18, B36, BD36)
- UTD21: 5 additional compartments 16" deep (fits B21)
- UTD24: 5 additional compartments 16" deep (fits B24, BD24)
- Not for use in custom-depth cabinets



UTD15
UTD18
UTD21
UTD24

Matching Tall End Panels

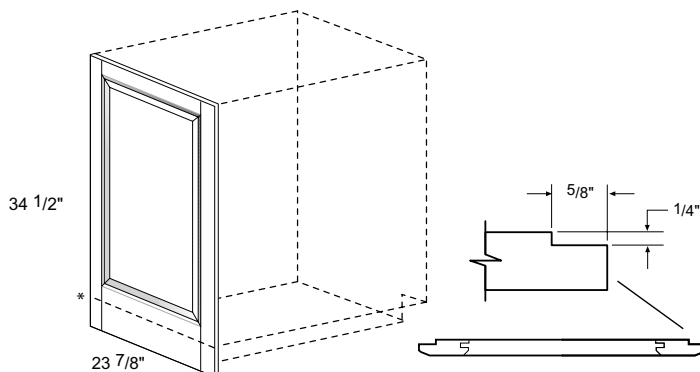
- 3/4" thick
- Field installation
- Will arrive as four separate panels for left or right side application & installs flush against cabinet side
- Cannot be used in conjunction with Custom Depth Cabinets
- For WW, WVG or WVB the matching panel will not be a flush application. Field adjustment to the side of the cabinet will be required



MUEK84
MUEK90
MUEK96

Matching Base End Panel

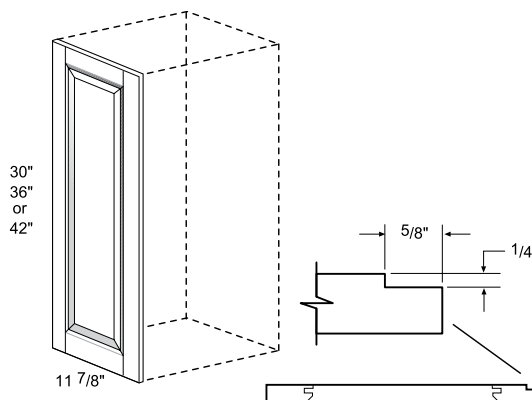
- 3/4" thick
- Field installation
- Panel is for Left or Right application & fits flush against cabinet sides
- Cannot be used in conjunction with Custom Depth Cabinets
- VG, VW or VB bottom rail is a 3" wide rail vs the 7 1/2" extended bottom rail



MBEP

Matching Wall End Panels

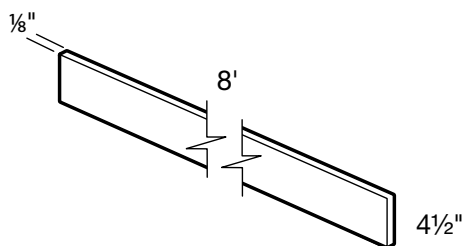
- 3/4" thick
- Field installation
- Panel is for Left or Right application & fits flush against cabinet sides
- Cannot be used in conjunction with Custom Depth Cabinets
- For WW, WVG or WVB the matching panel will not be a flush application. Field adjustment to the side of the cabinet will be required



MWEP30
MWEP36
MWEP42

8' Finished Toe Kick – Matches Frame Color

- 1/8" thick plywood finished with vinyl laminate color matched to cabinetry face frame
- Field modified and installed

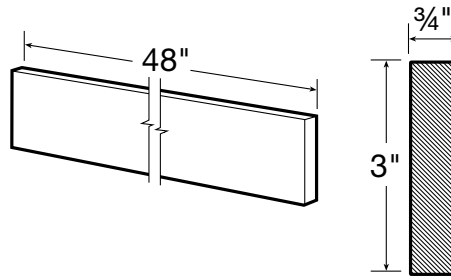


MTK8

ACCESSORIES

48" Valance

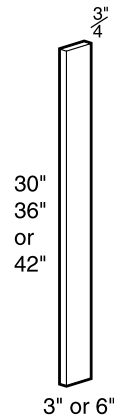
- 3/4" thick solid wood
- May be trimmed on each end



VA48

Filler Strips

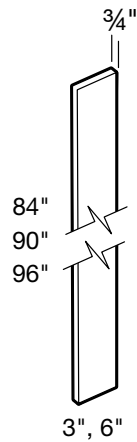
- 3/4" thick MDF for Painted and Vinyl Finishes
- 3/4" thick solid wood for stained finishes
- Face and sides finished



FS30
FS36
FS42
FS84
FS630
FS636
FS642

Tall Filler Strips

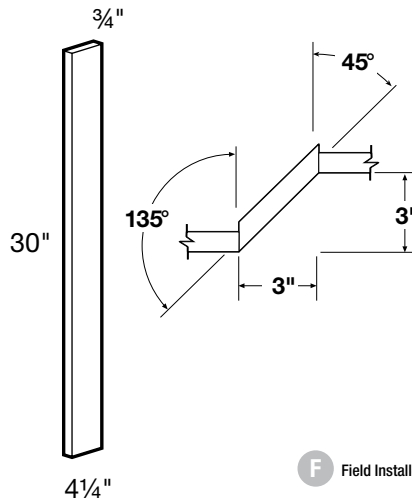
- 3/4" thick MDF for Painted and Vinyl Finishes
- 3/4" thick solid wood for stained finishes
- Face and sides finished



FS84
FS90
FS96
FS696

Angle Fillers

- 3/4" thick solid wood
- Face and all edges finished
- Only available in CN and PW

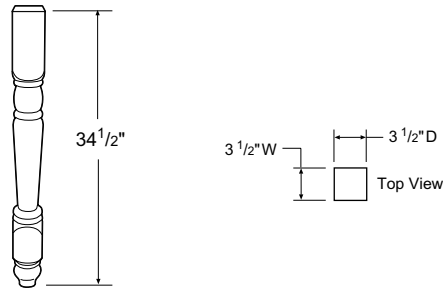


AF330
AF342

Spindle

SPL

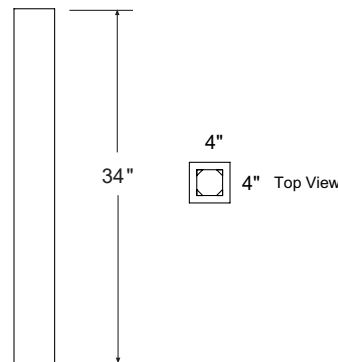
- Solid hardwood
- Available in all styles except WVB, WWV and WVG



Column Spindle Leg

CSL4

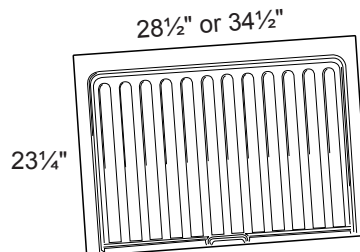
- Solid hardwood
- Available in all styles except WVB, WWV and WVG



Sink Base Liner

SBL2730
SBL3336

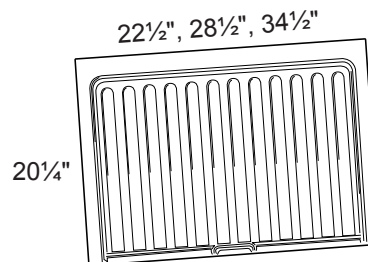
- Helps protect sink cabinet from damage due to leaks in piping or drains
- Sleek surface for easy cleanup
- SBL2730 can be trimmed to fit SB27 or SB30
- SBL3336 can be trimmed to fit SB33 or SB36
- Field installed
- Grey polystyrene easy to clean surface
- Not for use in custom-depth cabinetry



21" Deep Vanity Sink Base Liner

VSBL2124
VSBL2730
VSBL3336

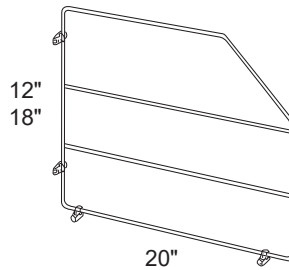
- Helps protect sink cabinet from damage due to leaks in piping or drains
- VSBL2124 can be trimmed to fit VSB2121 or VSB2421
- VSBL2730 can be trimmed to fit VSB2721 or VSB3021
- VSBL3336 can be trimmed to fit VSB3321 or VSB3621
- Field installed
- Grey polystyrene easy to clean surface
- Not for use in custom-depth cabinetry



ACCESSORIES

Tray Dividers

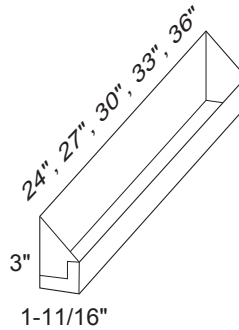
- Available in 12" & 18" heights
- Chrome finish
- Stores baking sheets, serving dishes, etc.
- Comes with 4 clips & fasteners
- Attaches to cabinet middle or bottom shelf
- Field installed
- Not for use in custom-depth cabinets



TD12CR
TD18CR

Tilt-out Tray Kits

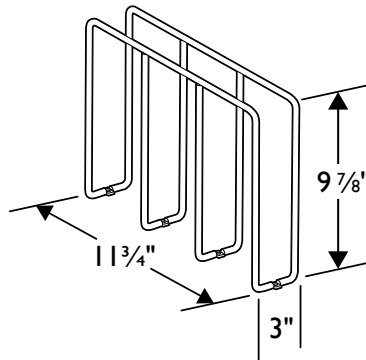
- Kit attaches to sink base false drawer front to create tilt-out drawer
- Holds sponges, scouring pads, dish soaps, etc.
- Stainless steel construction
- Field installed prior to countertop
- *Two trays included to fit double false fronts



SBT0TK24
SBT0TK27
SBT0TK30
SBT0TK33*
SBT0TK36*

U-Shaped Tray Divider 3" - Chrome

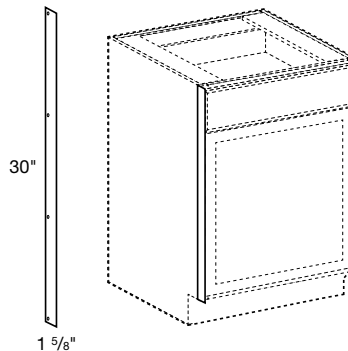
- Bakeware Organizer
- Use 2 or more to organize cabinet
- Can be used in base or wall cabinet
- Field installation with only 4 screws



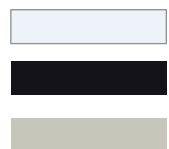
USTD3-CR

Heat Shield

- Helps protect cabinet doors adjacent to ovens
- Attaches to the cabinet face frame
- Available in White, Almond or Black



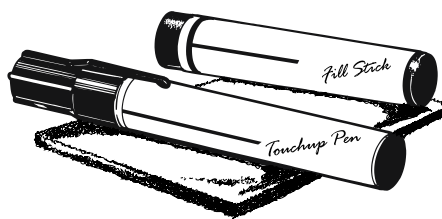
Heat_Shield_White
Heat_Shield_black
Heat_Shield_almond



Touch-Up Kit

TUK

- Includes fill stick, touch-up pen, and 4 door bumpers

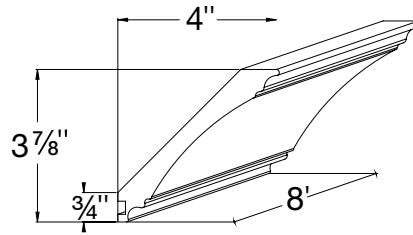


DECORATIVE MOLDING

Transitional Crown

TCM8

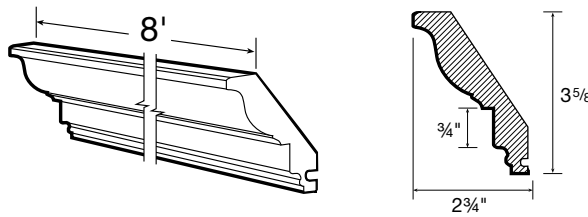
- 3/4" thick solid wood
- Use with TMMS8 for top of cabinet installation
- DESIGN TIP: When returning crown molding to the wall at the end of a run, allow at least 3" of wall space



Classic Crown Molding

CCM8

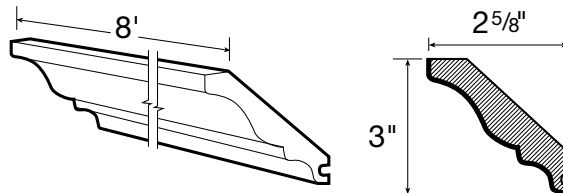
- 3/4" thick solid wood
- Use with TMMS8 for top of cabinet installation
- Only available in PW



Crown Molding

CM8

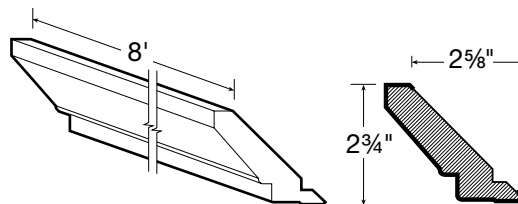
- 3/4" thick solid wood
- Use with TMMS8 for top of cabinet installation
- Available in all styles except WVB, WWV and WVG



Contemporary Crown Molding

CMV8

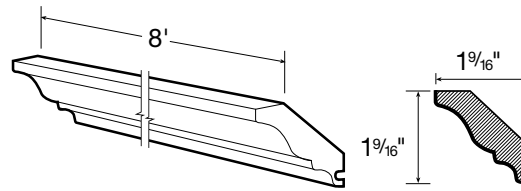
- 3/4" solid vinyl wrapped MDF
- Only available in WVB, WWV and WVG finishes
- TMMS8 not required



Soffit Crown Molding

SCM8

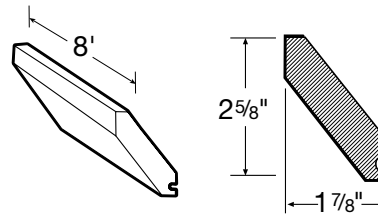
- 3/4" thick solid wood
- Use with TMMS8 for top of cabinet installation
- Available in all styles except WVB, WWV and WVG



Angle Crown Molding

ACM8

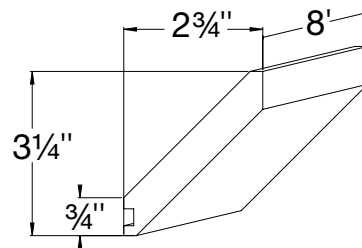
- 3/4" thick solid wood
- Use with TMMS8 for top of cabinet installation
- Available in all styles except WVB, WWV and WVG
- DESIGN TIP: When returning crown molding to the wall at the end of a run, allow at least 3" of wall space



Flat Shaker Angle Crown

FSM8

- 3/4" thick solid wood
- Use with TMMS8 for top of cabinet installation
- DESIGN TIP: When returning crown molding to the wall at the end of a run, allow at least 3" of wall space



Crown Molding

When returning crown molding to the wall at the end of a run, allow at least 3" of wall space. This allows molding to return properly without interfering with doors or other obstacles.

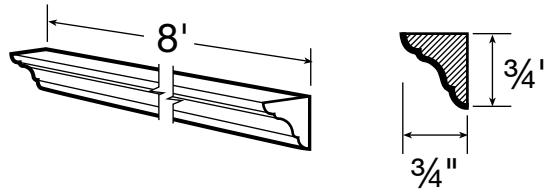


DECORATIVE MOLDING

Inside Corner Molding

ICM8

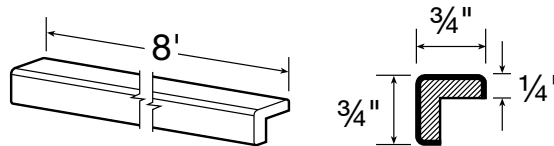
- 3/4" thick solid wood



Outside Corner Molding

OSC8

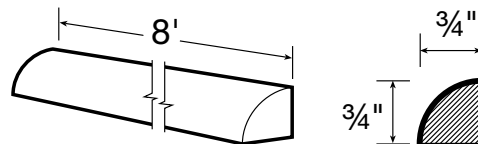
- 3/4" thick solid wood



Quarter Round

QR8

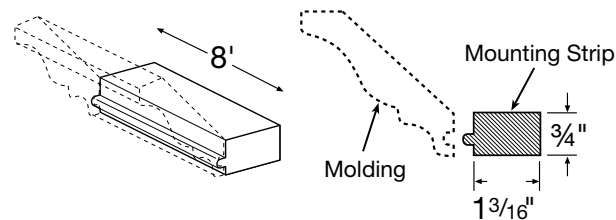
- 3/4" thick solid wood



Top Molding Mounting Strip

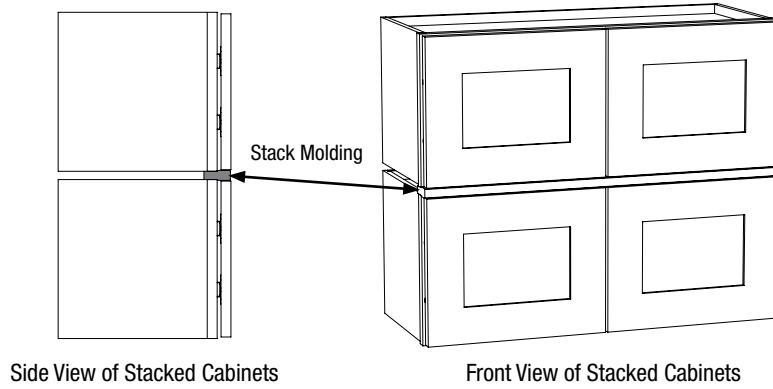
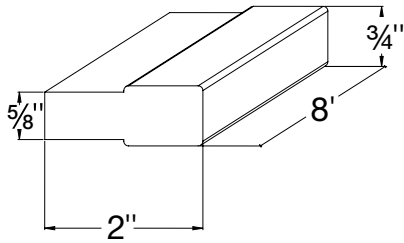
TMMS8

- 3/4" thick solid unfinished wood
- Recommended for installation of ACM8, CM8, CCM8, SCM8 moldings



Stack Molding

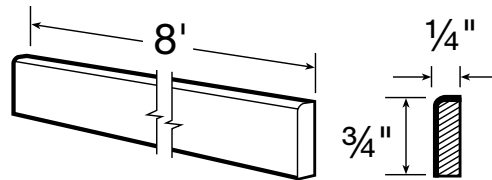
- 3/4" thick solid wood



STM8

Scribe Molding

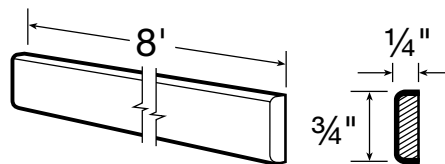
- 1/4" thick solid wood



SM8

Batten Molding

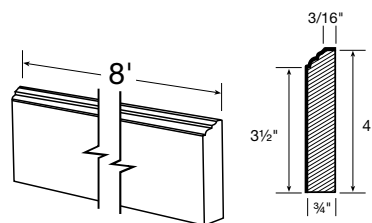
- 1/4" thick solid wood



BM8

Furniture Base Molding

- 3/4" thick solid wood



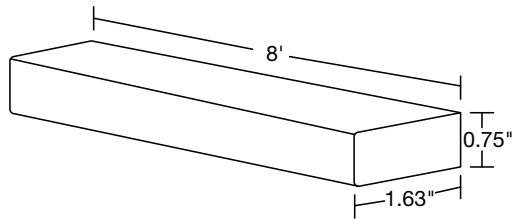
FBM8

DECORATIVE MOLDING

Shaker Light Rail

LRM8

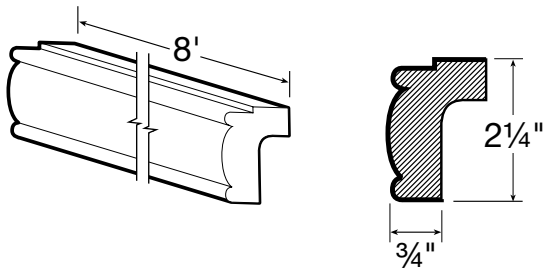
- 3/4" thick solid wood



Classic Light Rail

CLR8

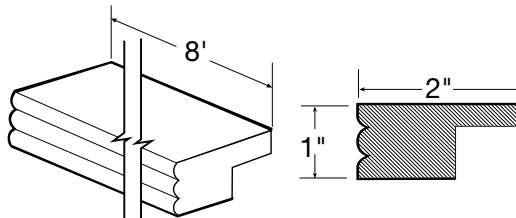
- 3/4" thick solid wood



Beaded Light Rail

BLR8

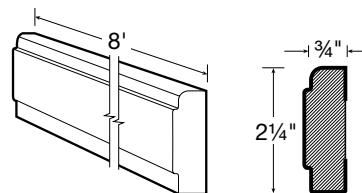
- 1" thick solid wood



Contemporary Light Rail

LRV8

- 3/4" solid vinyl wrapped MDF
- Only available in WVB, WWV and WVG finishes



Square Bar Pull

- Matte black



DH801-96MBL

4-1/4" Square Bar Pull
3 3/4" center (96mm)

DH801-128MBL

5-1/2" Square Bar Pull
5" center (128mm)

DH00801-17MBL

6-3/4" Square Bar Pull
6-5/16" center (160mm)

Square Bar Pull

- Brushed nickel



DH801-96BRN

4-1/4" Square Bar Pull
3 3/4" center (96mm)

DH801-128BRN

5-1/2" Square Bar Pull
5" center (128mm)

DH00801-17BRN

6-3/4" Square Bar Pull
6-5/16" center (160mm)

Square Bar Pull

- Champagne Bronze



DH873-96CHBR

4-1/4" Square Bar Pull
3 3/4" center (96mm)

DH873-128CHBR

5-3/8" Square Bar Pull
5" center (128mm)

DH873-160CHBR

6-3/4" Square Bar Pull
6-5/16" center (160mm)

Tubular Bar Pull

- Brushed nickel



DH5016-96BRN

5-3/8" Tubular Bar Pull
3 3/4" center (96mm)

DH5016-128BRN

6-5/8" Tubular Bar Pull
5" center (128mm)

DH5016-160BRN

7-7/8" Tubular Bar Pull
6-5/16" center (160mm)

DECORATIVE HARDWARE

Tubular Bar Pull

- Champagne Bronze



DH5016-96CHBR

5-3/8" Tubular Bar Pull
3 3/4" center (96mm)

DH5016-128CHBR

6-5/8" Tubular Bar Pull
5" center (128mm)

DH5016-160CHBR

7-7/8" Tubular Bar Pull
6-5/16" center (160mm)

Euro Pull

- Euro railing pull
- Brushed nickel
- DESIGN TIP: Make sure to double check the length of drawer/door to ensure pull will fit the cabinet



DH45-100 - 6 15/16" Euro Pull

3-13/16" center (96mm)

DH45-102 - 10 3/4" Euro Pull

7-9/16" center (192mm)

DH45-104 - 14 7/8" Euro Pull*

11-3/4" center (298mm)

Round knob

- Brushed nickel
- 1-1/4" diameter



DH99-188

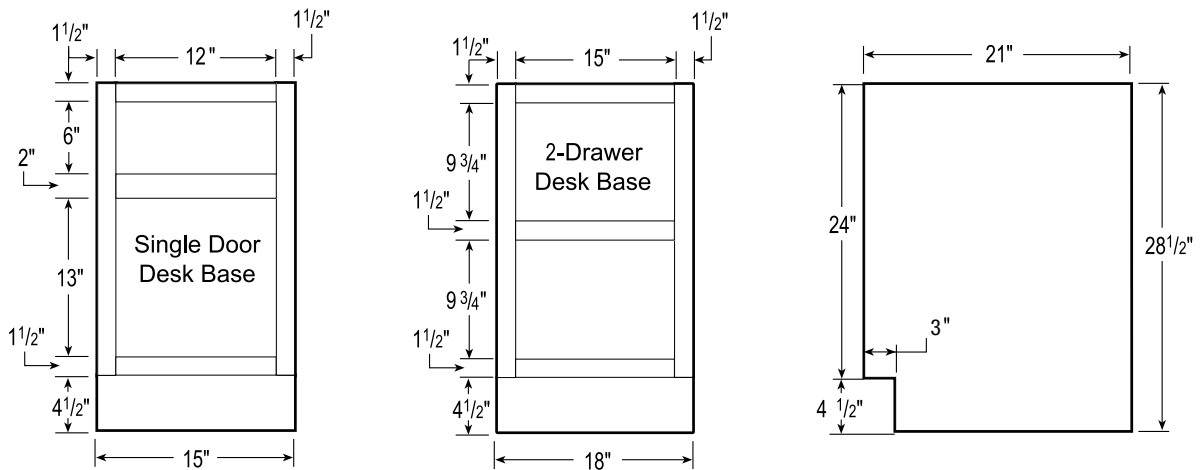
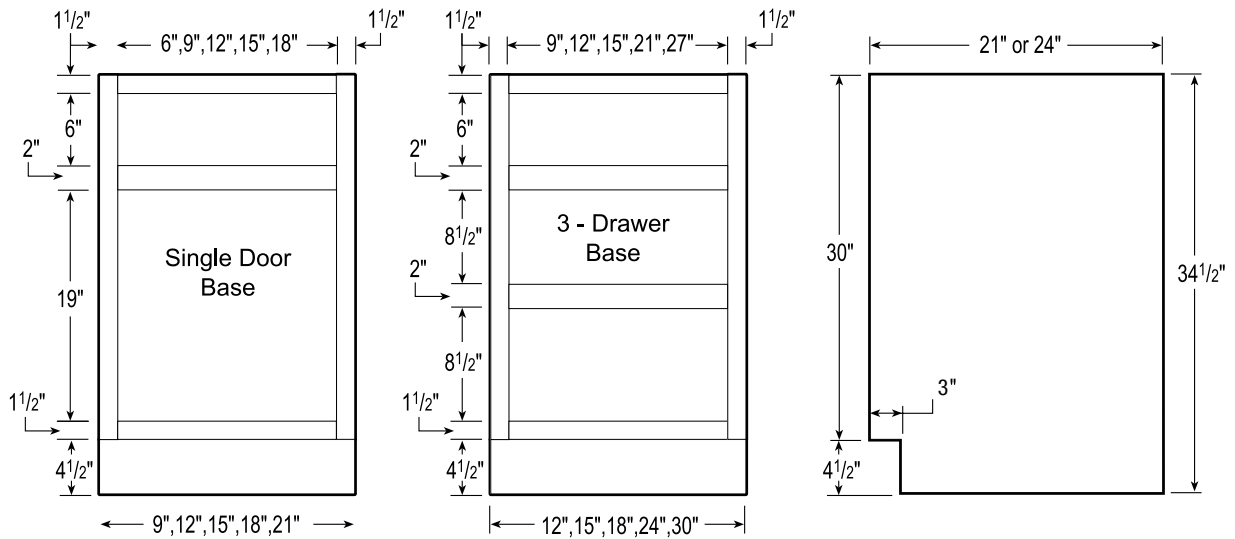
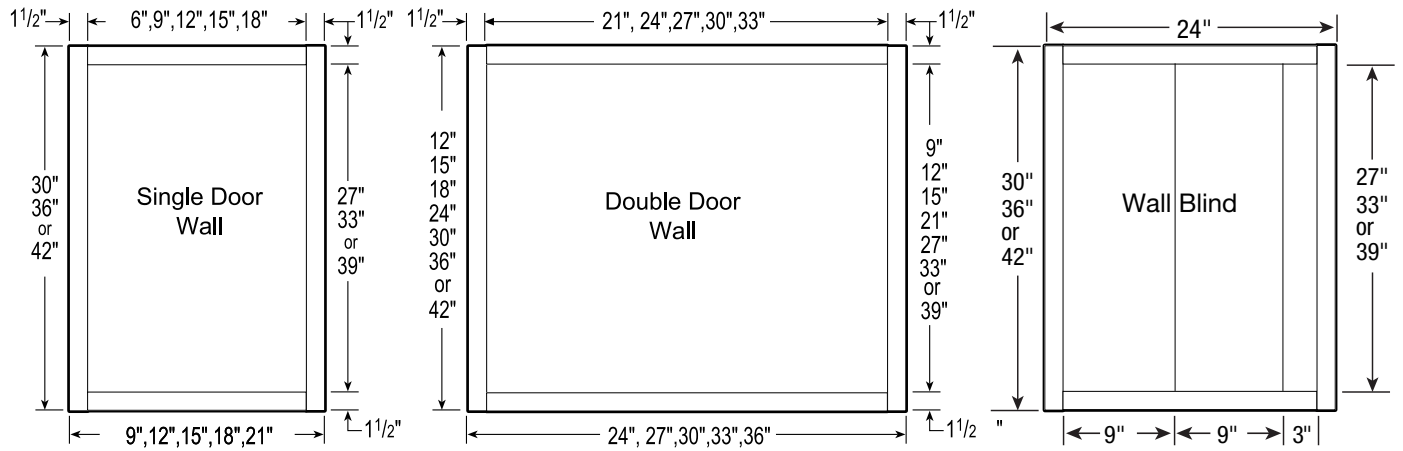
Contemporary Bow Pull

- Brushed nickel
- 3-3/4" center (96mm)
- 5-1/4" outside length

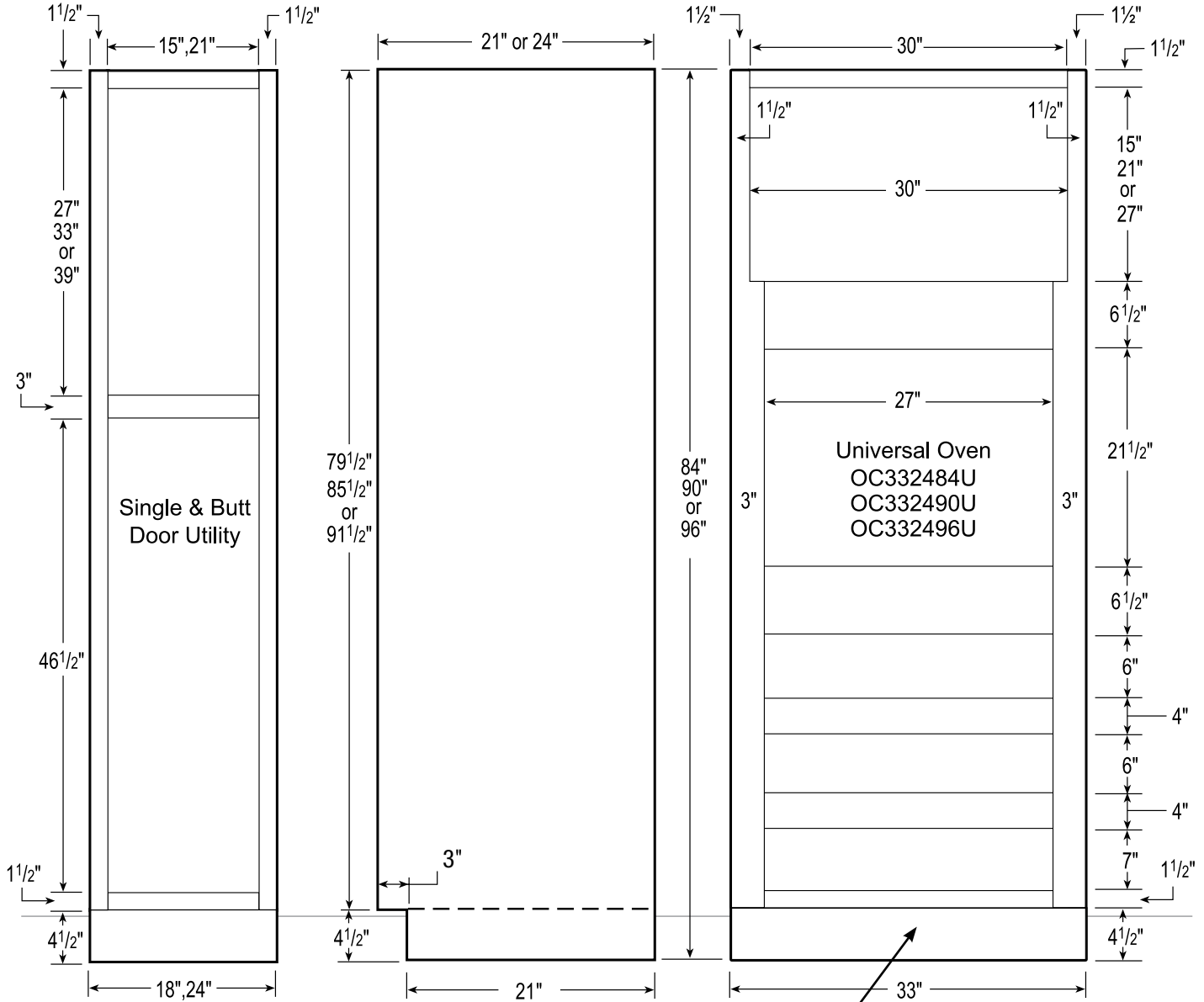


DH99-128

CABINET FRAME & OPENING DIMENSIONS

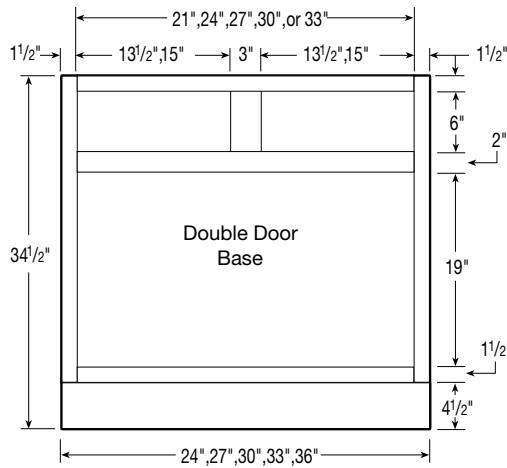


CABINET FRAME & OPENING DIMENSIONS

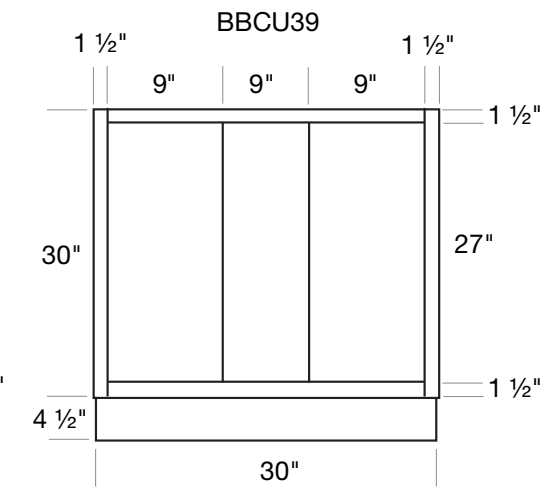
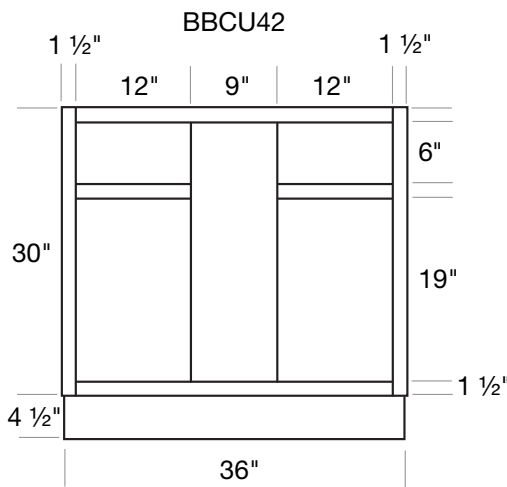
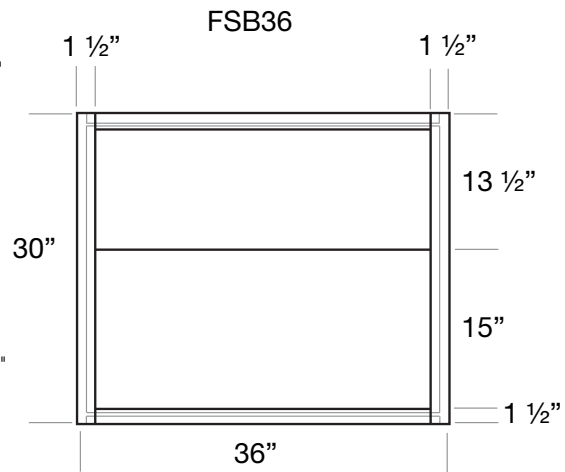


NOTE: 96" TALL CABINETS ARE SUPPLIED WITH LOOSE TOE KICK BOX (EXPOSED SIDES REQUIRE TSK96)

CABINET FRAME & OPENING DIMENSIONS



NOTE: B27, B30 have full width drawers



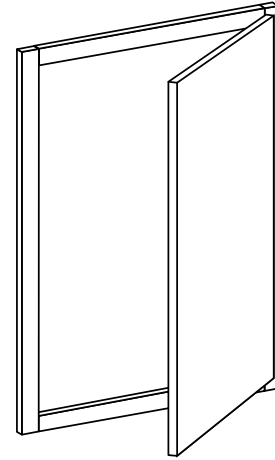
| DRAWER BOX INSIDE DIMENSIONS | | | | | | |
|---------------------------------|----------------|-----------|---------|-------------|-----------|---------|
| CABINET | SHALLOW DRAWER | | | DEEP DRAWER | | |
| | HEIGHT | DEPTH | WIDTH | HEIGHT | DEPTH | WIDTH |
| B12, BD12 | 4-3/8" | 19-11/16" | 6-7/8" | 6-3/4" | 19-11/16" | 6-7/8" |
| VB1221, VBD1221 | 4-3/8" | 16-11/16" | 6-7/8" | 6-3/4" | 16-11/16" | 6-7/8" |
| B15, BBCU42, BD15 | 4-3/8" | 19-11/16" | 9-7/8" | 6-3/4" | 19-11/16" | 9-7/8" |
| VB1521, VBD1521 | 4-3/8" | 16-11/16" | 9-7/8" | 6-3/4" | 16-11/16" | 9-7/8" |
| DDO15 | 4-3/8" | 16-11/16" | 9-7/8" | N/A | N/A | N/A |
| B18, BD18 | 4-3/8" | 19-11/16" | 12-7/8" | 6-3/4" | 19-11/16" | 12-7/8" |
| DDR18 | N/A | N/A | N/A | 6-3/4" | 16-11/16" | 12-7/8" |
| VB1821, VBD1821 | 4-3/8" | 16-11/16" | 12-7/8" | 6-3/4" | 16-11/16" | 12-7/8" |
| B21 | 4-3/8" | 19-11/16" | 15-7/8" | N/A | N/A | N/A |
| B24, BD24 | 4-3/8" | 19-11/16" | 18-7/8" | 6-3/4" | 19-11/16" | 18-7/8" |
| VB242, VBD2421 | 4-3/8" | 16-11/16" | 18-7/8" | N/A | N/A | N/A |
| B27 | 4-3/8" | 19-11/16" | 21-7/8" | N/A | N/A | N/A |
| B30, BD30 | 4-3/8" | 19-11/16" | 24-7/8" | 6-3/4" | 19-11/16" | 24-7/8" |
| VB3021 | 4-3/8" | 16-11/16" | 24-7/8" | N/A | N/A | N/A |
| VBD30 | 4-3/8" | 16-11/16" | 24-7/8" | 6-3/4" | 16-11/16" | 24-7/8" |
| B33 | 4-3/8" | 19-11/16" | 11-1/4" | N/A | N/A | N/A |
| B36, BD36 | 4-3/8" | 19-11/16" | 12-7/8" | 6-3/4" | 19-11/16" | 30-7/8" |
| VB3621 | 4-3/8" | 16-11/16" | 12-7/8" | N/A | N/A | N/A |
| OC332484U, OC332490U, OC332496U | 4-3/8" | 19-11/16" | 24-7/8" | N/A | N/A | N/A |

DECORATIVE & REPLACEMENT DOOR AND DRAWER FRONTS

Wall Cabinets

| Cabinet | Front | Qty |
|---------|----------|-----|
| W0930 | Door0930 | 1 |
| W1230 | Door1230 | 1 |
| W1530 | Door1530 | 1 |
| W1830 | Door1830 | 1 |
| W2130 | Door2130 | 1 |
| W2430 | Door1230 | 2 |
| W2730 | Door1330 | 2 |
| W3030 | Door1530 | 2 |
| W3330 | Door1630 | 2 |
| W3630 | Door1830 | 2 |
| W0936 | Door0936 | 1 |
| W1236 | Door1236 | 1 |
| W1536 | Door1536 | 1 |
| W1836 | Door1836 | 1 |
| W2136 | Door2136 | 1 |
| W2436 | Door1236 | 2 |
| W2736 | Door1336 | 2 |
| W3036 | Door1536 | 2 |
| W3336 | Door1636 | 2 |
| W3636 | Door1836 | 2 |
| W0942 | Door0942 | 1 |
| W1242 | Door1242 | 1 |
| W1542 | Door1542 | 1 |
| W1842 | Door1842 | 1 |
| W2142 | Door2142 | 1 |

| Cabinet | Front | Qty |
|---------|----------|-----|
| W2442 | Door1242 | 2 |
| W2742 | Door1342 | 2 |
| W3042 | Door1542 | 2 |
| W3342 | Door1642 | 2 |
| W3642 | Door1842 | 2 |
| W2412 | Door1212 | 2 |
| W2712 | Door1312 | 2 |
| W3012 | Door1512 | 2 |
| W3312 | Door1612 | 2 |
| W3612 | Door1812 | 2 |
| W2415 | Door1215 | 2 |
| W2715 | Door1315 | 2 |
| W3015 | Door1515 | 2 |
| W3315 | Door1615 | 2 |
| W3615 | Door1815 | 2 |
| W2418 | Door1218 | 2 |
| W2718 | Door1318 | 2 |
| W3018 | Door1518 | 2 |
| W3318 | Door1618 | 2 |
| W3618 | Door1818 | 2 |
| W2424 | Door1224 | 2 |
| W2724 | Door1324 | 2 |
| W3024 | Door1524 | 2 |
| W3324 | Door1624 | 2 |
| W3624 | Door1824 | 2 |



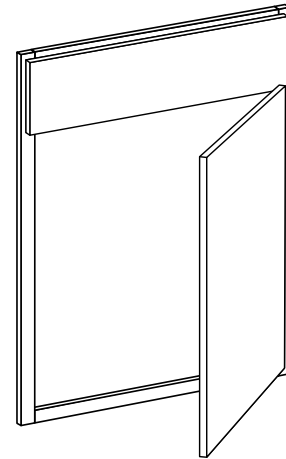
*Frame is not included.

Door fronts come with pre drilled hinge holes. Hinges are not included.

DECORATIVE & REPLACEMENT DOOR AND DRAWER FRONTS

Base Cabinets

| Cabinet | Front | Qty |
|---------|----------|-----|
| B12FH | Door1230 | 1 |
| B15FH | Door1530 | 1 |
| B18FH | Door1830 | 1 |
| B21FH | Door2130 | 1 |
| B24FH | Door1230 | 2 |
| B27FH | Door1330 | 2 |
| B30FH | Door1530 | 2 |
| B33FH | Door1630 | 2 |
| B36FH | Door1830 | 2 |
| EZR33 | Door0830 | 2 |
| EZR36 | Door1130 | 2 |



*Frame is not included.

Door fronts come with pre drilled hinge holes. Hinges are not included.

| Cabinet | Front | Qty | Front | Qty |
|---------|----------|-----|-------|-----|
| B12 | Door1221 | 1 | DF128 | 1 |
| B15 | Door1521 | 1 | DF158 | 1 |
| B18 | Door1821 | 1 | DF188 | 1 |
| B21 | Door2121 | 1 | DF218 | 1 |
| B24 | Door1221 | 2 | DF248 | 1 |
| B27 | Door1321 | 2 | DF278 | 1 |
| B30 | Door1521 | 2 | DF308 | 1 |
| B33 | Door1621 | 2 | DF168 | 2 |
| B36 | Door1821 | 2 | DF188 | 2 |

| Cabinet | Front | Qty | Front | Qty |
|---------|----------|-----|-------|-----|
| SB21 | Door2121 | 1 | DF218 | 1 |
| SB24 | Door1221 | 2 | DF248 | 1 |
| SB27 | Door1321 | 2 | DF278 | 1 |
| SB30 | Door1521 | 2 | DF308 | 1 |
| SB33 | Door1621 | 2 | DF168 | 2 |
| SB36 | Door1821 | 2 | DF188 | 2 |
| FSB36 | Door1818 | 2 | | |

| Cabinet | Front | Qty | Front | Qty |
|---------|-------|-----|---------|-----|
| BD12 | DF128 | 1 | DDF1210 | 2 |
| BD15 | DF158 | 1 | DDF1510 | 2 |
| BD18 | DF188 | 1 | DDF1810 | 2 |
| BD21 | DF218 | 1 | DDF2110 | 2 |
| BD24 | DF248 | 1 | DDF2410 | 2 |
| BD27 | DF278 | 1 | DDF2710 | 2 |
| BD30 | DF308 | 1 | DDF3010 | 2 |
| BD36 | DF188 | 2 | DDF3610 | 2 |

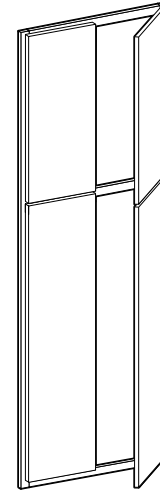
| Cabinet | Front | Qty |
|---------|----------|-----|
| EZR33 | Door0830 | 2 |
| EZR36 | Door1130 | 2 |

DECORATIVE & REPLACEMENT DOOR AND DRAWER FRONTS

Tall Cabinets

| Cabinet | Front | Qty | Front | Qty |
|---------|----------|-----|----------|-----|
| U1884 | Door1849 | 1 | Door1830 | 1 |
| U1890 | Door1849 | 1 | Door1836 | 1 |
| U1896 | Door1849 | 1 | Door1842 | 1 |
| U2484 | Door1249 | 2 | Door1230 | 2 |
| U2490 | Door1249 | 2 | Door1236 | 2 |
| U2496 | Door1249 | 2 | Door1242 | 2 |

| Cabinet | Front | Qty | Front | Qty | Front | Qty |
|---------|----------|-----|-------|-----|---------|-----|
| OC3384 | Door1618 | 2 | DF338 | 1 | DDF3310 | 2 |
| OC3390 | Door1624 | 2 | DF338 | 1 | DDF3310 | 2 |
| OC3396 | Door1630 | 2 | DF338 | 1 | DDF3310 | 2 |



*Frame is not included.

Door fronts come with pre drilled hinge holes. Hinges are not included.

Vanity Cabinets

| Cabinet | Front | Qty |
|---------|----------|-----|
| VB12 | Door1221 | 1 |
| VB15 | Door1521 | 1 |
| VB18 | Door1821 | 1 |
| VB21 | Door2121 | 1 |
| VB12FH | Door1230 | 1 |
| VB15FH | Door1530 | 1 |
| VB18FH | Door1830 | 1 |
| VB21FH | Door2130 | 1 |

| Cabinet | Front | Qty | Front | Qty |
|---------|-------|-----|---------|-----|
| VBD12 | DF128 | 1 | DDF1210 | 2 |
| VBD15 | DF158 | 1 | DDF1510 | 2 |
| VBD18 | DF188 | 1 | DDF1810 | 2 |
| VBD24 | DF248 | 1 | DDF2410 | 2 |
| VBD30 | DF308 | 1 | DDF3010 | 2 |

| Cabinet | Front | Qty | Front | Qty |
|-----------|----------|-----|----------|-----|
| VLC182184 | Door1849 | 1 | Door1830 | 1 |
| VLC242184 | Door1249 | 2 | Door1230 | 2 |



Semi-Custom Kitchen & Bath Cabinetry

Limited Lifetime Warranty

Ideal Cabinetry® (warrantor) warrants to the original consumer purchaser, that all products manufactured or supplied by warrantor will be free from defects in material and workmanship. This warranty is for your lifetime as long as you own the cabinetry, on product used for Residential Purposes only and is not transferable to subsequent owners. Proof of Purchase is required.

This warranty does not cover damage resulting from normal wear, accident, misuse or lack of reasonable and necessary maintenance and service; nor does it warranty the improper installation or unauthorized repair, alteration, or modification or defects in the product when the product is installed. This warranty is limited to the repair or replacement of the defective part at the sole discretion of warrantor. Warranty is limited to Home Decorators Collection branded products excluding all electrical components: Excluded items may carry separate warranties as provided directly by the manufacturer of these products.

It is our option to provide repair parts or replace with functionally equivalent product. Return of product may be required for replacements. Such repair parts or replacement shall be at warrantor's expense, but customer shall bear all other expenses, including, but not limited to, cost of removal, transportation, re-installation, communication and any special service required by customer such as, overtime labor, etc.

Natural woods and finishes vary in color, grain pattern and exhibit color changes over time. Cabinets may darken or lighten with age due to exposure to certain environmental conditions including but not limited to sunlight, moisture, household cleaners, smoke, etc. Painted cabinets may show cracking at seams. These variations are considered the natural characteristics of the material and finishes and are not covered under this warranty.

In the event of a warranted product performance issue, submit request including proof of purchase documentation, specific description of warranty issue (include photos) in writing to:

Warranty Department
210 Century Boulevard
Bartow, FL 33830

Due to nature of materials and finishes Ideal Cabinetry cannot guarantee warranty replacement will be an exact match.

Ideal Cabinetry reserves the right to alter design, specifications and material without obligation to make changes to product previously manufactured.

EXCEPT TO THE EXTENT PROVIDED BY APPLICABLE LAW, ALL IMPLIED WARRANTIES, INCLUDING WARRANTIES OF MERCHANTABILITY AND FITNESS FOR A PARTICULAR PURPOSE, ARE LIMITED IN DURATION TO THE SHORTER OF THE PERIOD PROVIDED BY LAW OR THE PERIOD OF THIS WARRANTY, AND UNDER NO CIRCUMSTANCE SHALL HOME DECORATORS COLLECTION BE LIABLE FOR INCIDENTAL OR CONSEQUENTIAL DAMAGES SUSTAINED IN CONNECTION WITH THE PRODUCT. THE EXPRESS WARRANTY ABOVE CONSTITUTES THE ENTIRE WARRANTY AND IS IN LIEU OF ALL OTHERS EXPRESSED OR IMPLIED.

Some states do not allow the exclusion or limitation of incidental or consequential damages, or limitation on how long an implied warranty lasts, therefore, the above limitations or exclusions may not apply to you. This warranty gives you specific legal rights, and you may also have other rights, which vary from state to state.

INDEMNITY

Ideal Cabinetry shall not be liable for either its failure to perform or its delays in performance hereunder arising out of or resulting from causes beyond its control, including but not limited to, acts of God, acts of Representation, acts of Government, wars, fires, floods, epidemics, quarantine, strike, freight embargoes, weather or default by suppliers due to any such causes.

HOME DECORATORS COLLECTION



Newport Mythic Blue

SEMI-CUSTOM KITCHEN & BATH CABINETRY

Have Questions? Need Design Help?

 [HDCkitchens.com](https://www.HDCkitchens.com)  [HomerDesignTools.com](https://www.HomerDesignTools.com)  866-373-9131

Monday-Friday 9 A.M. to 6 P.M. EST | Saturday 9 A.M. to 6 P.M. EST

May 2024

Instant Kitchen Estimator



KCMA



CARB2 compliant



HDC-A_W-SPECBOOK-0524