

zuhne

Installation and Use Manual



iCHORUS 36 ULTRA

**PREMIUM STAINLESS STEEL
ISLAND STYLE RANGE HOOD**



1-855-55-ZUHNE | www.zuhne.com

Finding information

Table of contents

Finding information	02
Important safety instructions	02-04
Electrical requirements	04
Parts supplied	05
Installing the hood	06-09
Operation	10
Cleaning and maintenance	11
Troubleshooting/Warranty	12
Warranty	12-13

Keep a record for quick reference

Thank you for choosing **Zuhne**, the new preferred brand in home appliances. This Use & Care Guide is part of our commitment to customer satisfaction and product quality throughout the service life of your new appliance.

We view your purchase as the beginning of a relationship. To ensure our ability to continue serving you, please use this page to record important product information.

Purchase date

Model number

Serial number

Questions?


Call us: **1-855-55-ZUHNE** (toll-free U.S.)

Email us: info@zuhne.com

Important safety instructions

Do not attempt to install or operate this appliance until you have read the safety instructions in this manual. Safety items throughout this manual are labelled with a Danger, Warning, or Caution based on the risk type.

Definitions

 This is the safety alert symbol. It is used to alert you to potential personal injury hazards. Obey all safety messages that follow this symbol to avoid possible injury or death.

DANGER

DANGER indicates an imminently hazardous situation which, if not avoided, will result in death or serious injury.

WARNING

WARNING indicates a potentially hazardous situation which, if not avoided, could result in death or serious injury.

CAUTION

CAUTION indicates a potentially hazardous situation which, if not avoided, could result in minor or moderate injury.

IMPORTANT

Indicates installation, operation, or maintenance information which is important but not hazard-related.

Important safety instructions

Child safety

Packing materials:

- Packing cartons covered with rugs, bedspreads, plastic sheets, or stretch wrap may become airtight chambers and can quickly cause suffocation.
- Remove the protective film covering the appliance before putting it into operation.
- Destroy or recycle the appliance's carton, plastic bags, and any other exterior wrapping material immediately after the product is unpacked. Children should never play with these items. Danger of suffocation!



IMPORTANT

PLEASE READ INSTRUCTIONS CAREFULLY BEFORE INSTALLATION AND USE!

INSTALLATION MUST COMPLY WITH ALL LOCAL CODES.

IMPORTANT: Save these instructions for the Local Electrical Inspector's use.

INSTALLER: Please leave these instructions with this appliance for the owner.

OWNER: Please retain these instructions for future reference.

DANGER

Always switch off the electricity supply at the mains during installation and maintenance such as for light bulb replacement.

CAUTION

To reduce risk of fire and to properly exhaust air, be sure to duct air outside – do not vent exhaust air into spaces within walls, ceilings, attics, crawl spaces, or garages.

WARNING

To reduce the risk of fire, electric shock, or injury to persons, observe the following:

- FOR RESIDENTIAL USE ONLY.
- Use this appliance only in the manner intended by the manufacturer. If you have questions, contact the manufacturer.
- Installation work and electrical wiring must be done by qualified person(s) in accordance with all applicable codes and standards, including fire-rated construction.
- Sufficient air is needed for proper combustion and exhausting of gases through the flue (chimney) of fuel burning equipment to prevent back-drafting. Follow the heating equipment manufacturers guideline and safety standards such as those published by the National Fire Protection Association (NFPA), the American Society for Heating, Refrigeration and Air Conditioning Engineers (ASHRAE), and the local code authorities.
- When cutting or drilling into wall or ceiling, do not damage electrical wiring and other hidden utilities (e.g. gas pipes).
- Ducted systems must always be vented to the outdoors.

WARNING

Before servicing or cleaning the unit, switch off power at the service panel and lock the service panel disconnecting means to prevent the power from being switched on accidentally. When the service disconnecting means cannot be locked, securely fasten a prominent warning device, such as a tag, to the service panel.

CAUTION

For general ventilating use only. DO NOT use to exhaust hazardous or explosive materials or vapors.

Important safety instructions

WARNING

To reduce the risk of fire, use only metal duct work. Install this hood in accordance with all requirements specified.

WARNING

To reduce the risk of fire or electric shock, do not use this hood with any external solid state speed control device.

WARNING

To reduce the risk of a cooktop grease fire:

- Never leave surface units unattended at high settings. Boilovers cause smoking and greasy spillovers that may ignite. Heat oils slowly on low or medium settings.
- Always turn hood ON when cooking at high heat or when flambéing food (i.e. Crepes Suzette, Cherries Jubilee, Peppercorn Beef Flambé).

WARNING

- Clean ventilating fans frequently. Grease should not be allowed to accumulate on fan or filter.
- Do not use the range hood without the grease filters, or if the filters are excessively greasy.
- Use proper pan size. Always use cookware appropriate for the size of the surface element.

WARNING

To reduce the risk of injury to persons, in the event of a cooker top grease fire, observe the following:

- Smother flames with a close-fitting lid, cookie sheet, or other metal tray, then turn off the gas burner or the electric element. Be careful to prevent burns. If the flames do not go out immediately, evacuate and call the fire department.

WARNING

- Never pick up a flaming pan – you may be burned.
- Do not use water, including wet dishcloths or towels – a violent steam explosion will result.
- Use an extinguisher only if:
 - You know you have a class ABC extinguisher, and you already know how to operate it.
 - The fire is small and contained in the area where it started.
 - The fire department is being called.
 - You can fight the fire with your back to an exit.

CAUTION

Always leave safety grills and filters in place. Without these components, operating blowers could catch onto hair, fingers and loose clothing.

Electrical requirements

IMPORTANT

Observe all governing codes and ordinances.

It is the customer's responsibility:

- to contact a qualified electrical installer.
- to ensure electrical installation is adequate, in conformance with all local codes and ordinances, and that the unit is properly grounded.
- to not ground to a gas pipe.
- to not have a fuse in the neutral or ground circuit.

Technical Data

Rating : 120V / 60Hz, 2.8A 342W

Lights : 4 x 2.5W LED

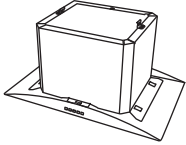

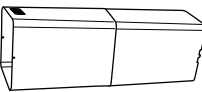
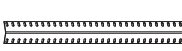
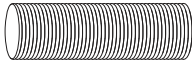



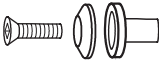

Air Suction : 600 CFM


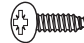
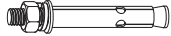


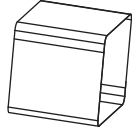
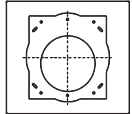
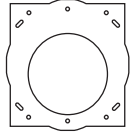

Parts supplied

Intended use

- Your range hood is intended for exhaust operation only. This range hood is not recommended to be used over indoor grills. Do not use it to exhaust hazardous or explosive materials or vapors.

Parts supplied

No.	Part	Qty.
1	 Range hood	1
2	 Glass cover	1
3	 Upper and lower chimney (Decorative Flue)	1 + 1
4	 Angle Iron (596mm)	8
5	 Aluminum Duct (150mm x 1500mm)	1
6	 Vent Collar	1
7	 Carbon filter for recirculation	1
8	 LED Lights 2.5W, DC 12V (pre-assembled)	4
9	 Bolt, washer rubber washer	4 sets
10	 Mounting screw (6mm x 45mm)	12

11		4 x 14mm Screw (16 screws + set of 24 screws with nuts and washers + 2 spare sets)	42
12		Mounting screw (4mm x 8mm)	8
13		Explode Screw (M6, 60mm for concrete ceiling)	8
14		Drywall Anchor (for wooden ceiling)	12
15		S - Hook	1
16		10' extension chimney kit (optional)	1
17		Assembly template	1
18		Mounting plate	1
19		Tightening ribbon	2

Tools/Materials (may be required, not supplied)

- Duct tape
- Wire nuts
- Tape to mount template
- Measuring tape
- Screwdrivers and Pliers
- Gloves to protect against sharp edges
- Knife
- Safety glasses
- Electric drill with 5/32" bit
- Strain relief
- Spirit level
- Wire cutter/stripper
- Masking tape
- Hammer
- Saw, jig saw or reciprocating saw

Installing the hood

→ IMPORTANT

Minimum two people should carry out installation. Please pay attention to the procedure described in the assembly instructions.



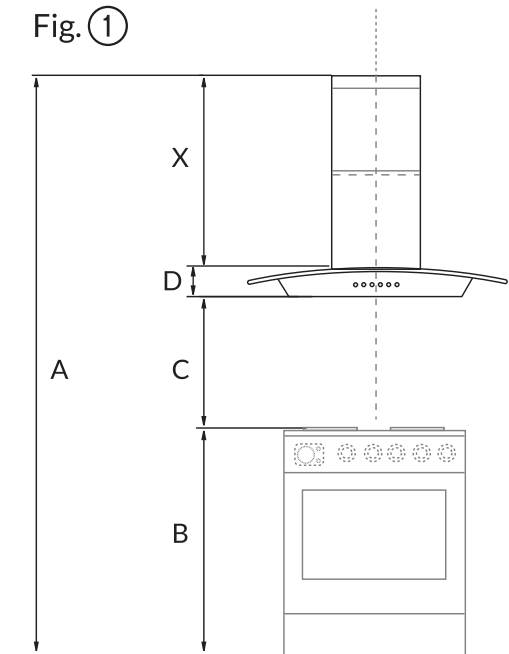
Preparation

- The vent hood should be on site before final framing and wall finishing. This will help to accurately locate the duct work and electrical service.
- Installation will be easier if the vent hood is installed before the cooktop and countertop are installed.

Ducting installation guidelines

- Determine the exact location of the vent hood.
- Plan the route for venting exhaust to the outdoors.
- Use the shortest and straightest duct route possible.
- For safety reasons, ducting should vent directly outdoors (not into an attic, underneath the house, into the garage or into any enclosed space).
- Keep duct runs as short and straight as possible. Duct fittings (elbows and transitions) reduce air flow efficiency. Back to back elbows and “S” turns give very poor delivery and are not recommended. A short straight length of duct at the inlet of the remote blower gives the best delivery. For satisfactory performance duct run should not exceed 40’ equivalent length for any duct configurations.
- Limit use of flexible metal round duct to short lengths and do not crush when making corners.
- Install a wall cap with damper or roof cap at the exterior opening. Order the wall or roof cap and any transition needed in advance.
- Refer to the corresponding illustration (fig. ①) to compute the maximum permissible length for the chimney from hood to the ceiling.

Fig. ①



$$X = A - (B + C + D)$$

where,

X is the installation height,
A is the height of ceiling,
B is the height of cooktop,
C is the distance of hood from cooktop,
D is the distance between base of hood and base of lower chimney

NOTE:

For ceiling height greater than 8 or 9 ft the extension kit must be purchased.

The recommended range for distance of hood from cooktop is 28 to 36 inches. A height of 33” above cooktop is advised for best capture of cooking impurities. Hoods mounted too low may be susceptible to heat or fire damage. Hoods mounted too high will perform poorly and may be inefficient.

Installing the hood

CAUTION

Remove the carton carefully. Wear gloves to protect against sharp edges.

WARNING

Remove the protective film covering the product before testing/putting into operation.

Step 1

Fix the assembly template (instruction paper) onto the ceiling. Drill holes as shown on the template.

IMPORTANT

Do not cut the duct opening shown on the template for the recirculating installation.

Step 2

Now put the drywall anchors into the holes. Put up the mounting plate and use 12 pieces of mounting screws (6x45mm) to fix the plate onto the ceiling (for concrete ceiling, please use the 8 pieces of explode screws instead).

IMPORTANT

This vent hood is heavy. Adequate structure and support must be provided in all types of installation. Ceiling/framing to which mounting plate will be attached must be capable of supporting 150lbs.

Step 3

Use 8 pieces of mounting screws (4x14mm) with washers and nuts to fix 4 pieces of angle iron onto the mounting plate.

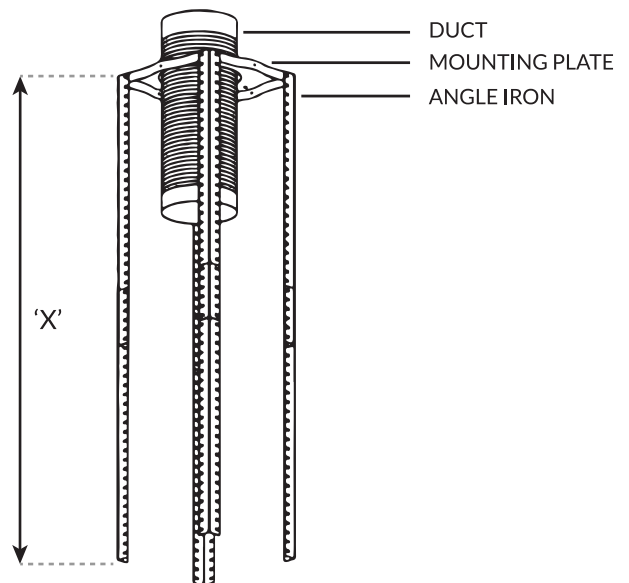
Step 4

Adjust the height X of the chimney (as determined earlier in fig. ①), and use 16 pieces of mounting screws (4x14mm) with washers and nuts to fix the other 4 pieces of angle iron overlapped onto the angle irons which have been installed.

Step 5

Decide where the ductwork will run between the hood and the outside.
Let the one side of the duct go outside through the hole in the mounting plate (as shown in fig. ②).

Fig. ②



WARNING

To reduce the risk of fire use only metal ductwork.

Installing the hood

CAUTION

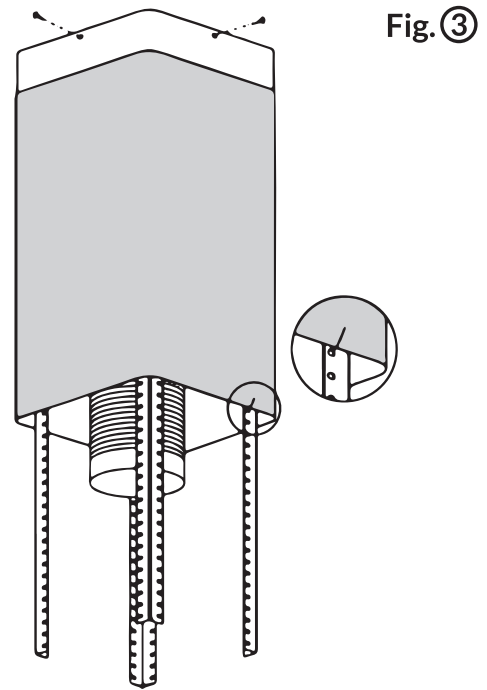
Danger of injury. The chimney skirts may have sharp edges. Wear protective gloves.

Step 6

Pick out the chimneys, and slide the upper half of the chimney over the angle irons up to the ceiling. Use 4 pieces of mounting screws (4x8mm) to fix the chimney onto the mounting plate (fig. ③).

Step 7

Now slide the lower half chimney over the upper chimney and use the S hook to temporarily fix the lower chimney on the angle iron (see fig. ③).



IMPORTANT

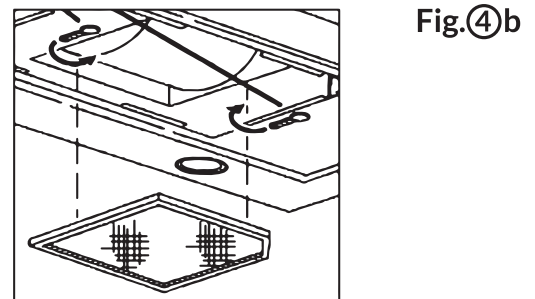
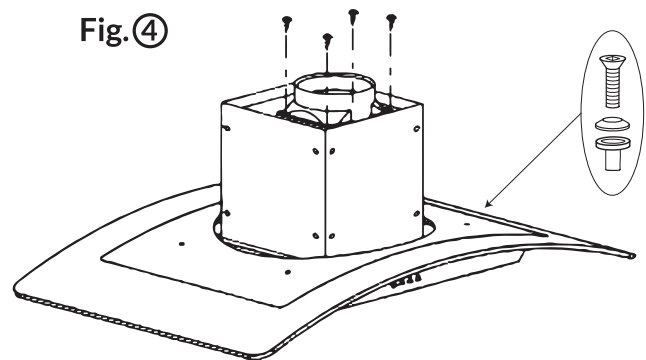
Carefully remove the plastic protective film from all exterior surfaces of the hood and decorative flues, prior to installation.

Step 8

Take out the hood and glass from the carton. Use the 4 sets of screws with washers and caps to fix the glass onto the main unit. Fix the vent (collar) into the duct connector of the main unit with 4 pieces of mounting screws 4x8mm). See fig. ④.

Step 9 (for recirculation mode only)

Remove the baffle filters, attach the square piece of carbon filter onto the range hood and put the baffle filters back in place. See fig. ④b.



Installing the hood

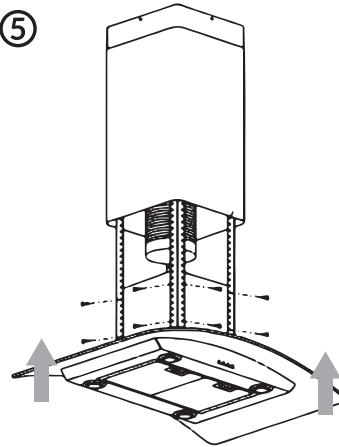
CAUTION

This vent hood is heavy. At least two people are required to mount the hood.

Step 10

Raise the hood into its mounting position. Fix the hood onto the angle irons with 16 pieces of mounting screws (4x14mm). See fig. ⑤

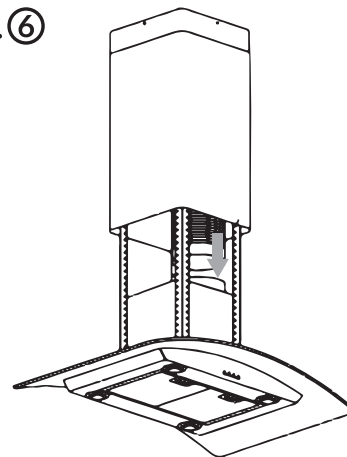
Fig. ⑤



Step 11

Now pull the duct down as shown in fig. ⑥ and fix it onto the vent (collar) with ribbon/duct tape.

Fig. ⑥



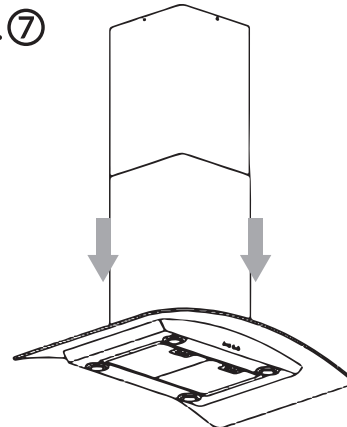
IMPORTANT

Make sure the duct is securely fastened onto the vent collar. Use tightening ribbon (provided) and/or duct tape to seal connecting areas.

Step 12

Finally, release the temporary S Hook and slide the lower half of chimney downwards as shown in fig. ⑦.

Fig. ⑦







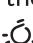



CAUTION

Be careful while handling the chimney covers. Edges of chimney skirts may be sharp.

Operation

Touch controls

- After you have connected the appliance to the mains supply the backlight will turn on. It will turn off after 5s without any operation and the hood will enter stand-by mode.
- Press one of the speed buttons  ,  ,  to turn the appliance on.
- Press the button  for low speed. Push the button again and the motor will stop.
- Press the button  for medium speed. Push the button again and the motor will stop.
- Press the button  for high speed. Push the button again and the motor will stop.
- Press the button  and the lights will come on. Push the button again and lights will turn off.
- While the range hood is in use, if you press the timer button  once, the range hood will run for 5 minutes and then enter stand-by mode.

For best performance

NOTE

Continuous use of range hood while cooking helps keep the kitchen comfortable and less humid.

It also reduces cooking odors and soiling moisture that create a frequent need for cleaning.

- Turn on the range hood before starting to cook.
- Clean the filters frequently (refer to *Cleaning and maintenance* section).
- Use low speed for normal use and higher speed for strong odors or fumes.

Exhaust operation

- During exhaust operation, the range hood removes air from a room. If other fire sources that require the surrounding air for combustion are being operated in the same room, (e.g. gas, oil or coal heaters), the oxygen they require is taken away. Thus flames could be suffocated and gas could leak out or the fumes could be drawn back into the room.
- In order to guarantee a safe operation, there should be non-closable openings in doors, windows to ensure a fresh supply of combustion air. This will prevent the combustion fumes from being drawn back into the room.
- When assessing the measures necessary, always take the entire ventilation system of the house into consideration.
- Never secure the range hood to a ventilation duct, or a room or exhaust gas chimney! Do not let the air that is removed from the room be drawn into a duct where warm air is circulating. The extracted air should only be drawn outdoors through a separate ventilating duct that is only for the extractor hood.
- When in extraction mode, air in the room is being removed by the range hood. Please make sure that proper ventilation measures are being observed. The range hood removes odors from room but not steam.
- There shall be adequate ventilation of the room when the range hood is used at the same time as appliances burning gas or other fuels (not applicable to appliances that only discharge the air back into the room).
- The air must not be discharged into a flue that is used for exhausting fumes from appliances burning gas or other fuels (not applicable to appliances that only discharge the air back into the room).

Cleaning and maintenance

DANGER

Always switch off the electricity supply at the mains during installation, cleaning and maintenance such as for light bulb replacement.

NOTE

The efficiency of the range hood depends on the cleanliness of the intake and filters. Grease should not be allowed to accumulate on hood or filter.

Filters

The filters must be cleaned approximately once every 30 hours of operation (or when lights start blinking). Use a warm detergent solution. Grease filters are dishwasher safe.

Remove filter by pushing buttons on filter towards the back of hood and rotating filter downward.

Duct-free (Charcoal) filters

The charcoal filters cannot be cleaned, they must be replaced regularly (depending on range hood usage). It is recommended these be replaced in 4-6 months. Do not rinse or put charcoal filters in a dishwasher.

Hood cleaning

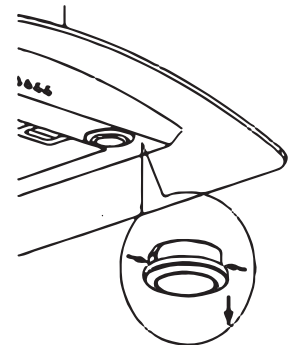
- Hand-warm water with mild soap or detergent is all that is usually needed.
- Follow all cleaning by rinsing with clear water. Wipe dry with a clean, soft cloth to avoid water marks.
- For discolorations or deposits that persist, use a non-scratching household cleanser or stainless steel polishing powder with a little water and a soft cloth.
- For stubborn cases, use a plastic scouring pad or soft bristle brush together with cleaner and water. Rub gently in direction of polishing lines or "grain" of the stainless finish. Avoid using too much pressure which may mar the surface.

- DO NOT allow deposits to remain on the unit for long periods of time.
- DO NOT use ordinary steel wool or steel brushes.
- DO NOT allow salt solutions, disinfectants, bleach or cleaning compounds to remain in contact with stainless steel for extended periods. Many of these compounds contain chemicals which may be harmful. Rinse with water after exposure and wipe dry with a clean cloth. Painted surfaces should be cleaned with warm water and mild detergent only.

Light bulb replacement

- Switch the appliance off and disconnect the power supply.
- In order to replace the light bulb, the baffle filters should be detached first.

Find the springs of the light, pinch the springs and lights should slip out. Change the light with the same kind of 12V, 2.5 W LED light.



CAUTION

If attempting this operation immediately after the hood has been in use for a while, please exercise caution/allow some time for unit to cool down.

Troubleshooting / Warranty

Troubleshooting

Problem	Cause	Solution
Excessive vibration	The appliance is not fixed properly on the brackets	Take down the appliance and check it is properly fixed
	The fan blade is damaged	Replace blades
	The fan motor is not fixed tightly	Lock the motor tightly
Light on, but fan does not work	The fan blade is jammed	Get rid of the blockage
	The motor is damaged	Motor needs to be replaced
Both light and fan do not work	Light bulb broken	Replace with a bulb with correct rating.
	Problem with electrical connection	Check the electrical connection with an electrician
Suction performance is not good	Distance between the appliance and the cooktop is too large	Readjust the distance (see fig. ① on page 6)
	Filter blocked by dirt/grease	Clean filters (see Cleaning and maintenance)

If You Need Service

Keep your receipt, delivery slip, or some other appropriate payment record to establish the warranty period should service be required.

Product features or specifications as described or illustrated are subject to change without notice.

Warranty

After your purchase please fill out the return copy of the warranty card and mail it to
Zuhne
8500 Commerce Park Dr #105,
Houston, TX 77036, USA

If you have questions our customer service team can be reached at **1-855-55-ZUHNE / info@zuhne.com** Please read over our terms before contacting us. Our returns and warranty policy is outlined below.

Returns

We accept all returns of non-damaged items within 30 days with return shipping to be paid by customer if the item was:

- the wrong size
- purchased but not used
- an accidental purchase

Resolution Process for Damages or Missing Items

- 1a. Customer provides images of damage (mandatory)
- 1b. Customer notifies us for missing parts or items
- 2a. We send a replacement unit (discretionary)
- 2b. We send replacement parts
3. Customer is provided a new tracking number for the replacement or parts shipped

If the customer contacts us after the 30-day window for a return a restocking fee may be applied to the return depending on the condition of the item and the number of days past the standard 30-day window. If shipping damage is noticeable upon arrival, please immediately reject the package, take pictures of the damages and contact customer support for assistance. If the item is delivered and arrived damaged, we will either send a replacement and take back the damaged item, or send parts to repair the item depending on the severity of the damage. A full replacement will be issued only on our discretion. For certain authorized vendors who carry our products, shipping damages that require a full replacement will require contacting the seller and not **Zuhne**.

Troubleshooting / Warranty

All shipping damages must be reported within 30 days of delivery. Missing or lost items must be reported within 7 days of delivery. The customer must also notify the local authorities to obtain a police report if the tracking information shows the item as being delivered, but not received. A replacement part or unit will be shipped only if these rules are met. After the 30-day window for damaged items or 7 days for lost and missing packages, **Zuhně** reserves the right to not ship replacement parts/complete units. No exceptions will be made and we will not be held responsible.

Manufacturer's warranty

For 1 year from the date of purchase, when this major appliance is operated and maintained according to instructions attached to or furnished with the product, under this warranty, you (the customer), are entitled to replacement parts at no cost to repair and restore functionality if any part of the product were to fail. No labor is provided. Certain consumables that are not covered under this warranty include:

- LED Lights
- Carbon Filters
- Mesh or Baffle Filters
- Ducting

If a main unit or complete replacement has to be sent, **Zuhně** may require that the customer pay for shipping. Shipping for parts are free under the warranty period.

DISCLAIMER OF IMPLIED WARRANTIES; LIMITATION OF REMEDIES

CUSTOMER'S SOLE AND EXCLUSIVE REMEDY UNDER THIS LIMITED WARRANTY SHALL BE PRODUCT REPAIR AS PROVIDED HEREIN. IMPLIED WARRANTIES, INCLUDING WARRANTIES OF MERCHANTABILITY OR FITNESS FOR A PARTICULAR PURPOSE, ARE LIMITED TO ONE YEAR OR THE SHORTEST PERIOD ALLOWED BY LAW. ZUHNĚ SHALL NOT BE LIABLE FOR INCIDENTAL OR CONSEQUENTIAL DAMAGES. SOME STATES AND PROVINCES DO NOT ALLOW THE EXCLUSION OR LIMITATION OF INCIDENTAL OR CONSEQUENTIAL DAMAGES, OR LIMITATIONS ON THE DURATION OF IMPLIED WARRANTIES OF MERCHANTABILITY OR FITNESS, SO THESE EXCLUSIONS OR LIMITATIONS MAY NOT APPLY TO YOU. THIS WARRANTY GIVES YOU SPECIFIC LEGAL RIGHTS, AND YOU MAY ALSO HAVE OTHER RIGHTS WHICH VARY FROM STATE TO STATE.

Warranty Exclusions

This warranty does not cover the following:

1. Service calls to correct the installation of your major appliance, to instruct you on how to use your major appliance, to replace or repair house fuses, or to correct house wiring or plumbing.
2. Service calls to repair or replace appliance lights, air filters or water filters. Consumable parts are excluded from warranty coverage.
3. Repairs when your major appliance is used for other than normal, single-family household use or when it is used in a manner that is contrary to published user or operator instructions and/or installation instructions.
4. Damage resulting from accident, alteration, misuse, abuse, fire, flood, acts of God, improper installation, installation not in accordance with electrical or plumbing codes, or use of consumables or cleaning products not approved by us.
5. Cosmetic damage, including scratches, dents, chips or other damage to the finish of your major appliance, unless such damage results from defects in materials or workmanship and is reported to us within 30 days from the date of purchase.
6. Any loss due to refrigerator/freezer product failures.
7. Costs associated with the removal from your home of your appliance for repairs. This appliance is designed to be repaired in the home and only in-home service is covered by this warranty.
8. Repairs to parts or systems resulting from unauthorized modifications made to the appliance.
9. The removal and reinstallation of your appliance if it is installed in an inaccessible location or is not installed in accordance with published installation instructions.
10. Appliances with original model/serial numbers that have been removed, altered or cannot be easily determined.
11. Product that has been transferred from its original owner to another party or outside USA or Canada.
12. Rust on the interior or exterior of the unit.
13. Products purchased "as-is" are not covered by this warranty.
14. Surcharges including, but not limited to, any after hour, weekend, or holiday service calls, tolls, ferry trip charges, or mileage expense for service calls to remote areas, including the state of Alaska.

