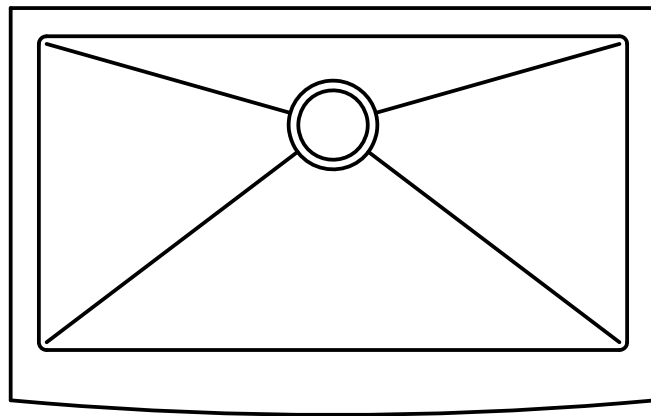


zuhnë

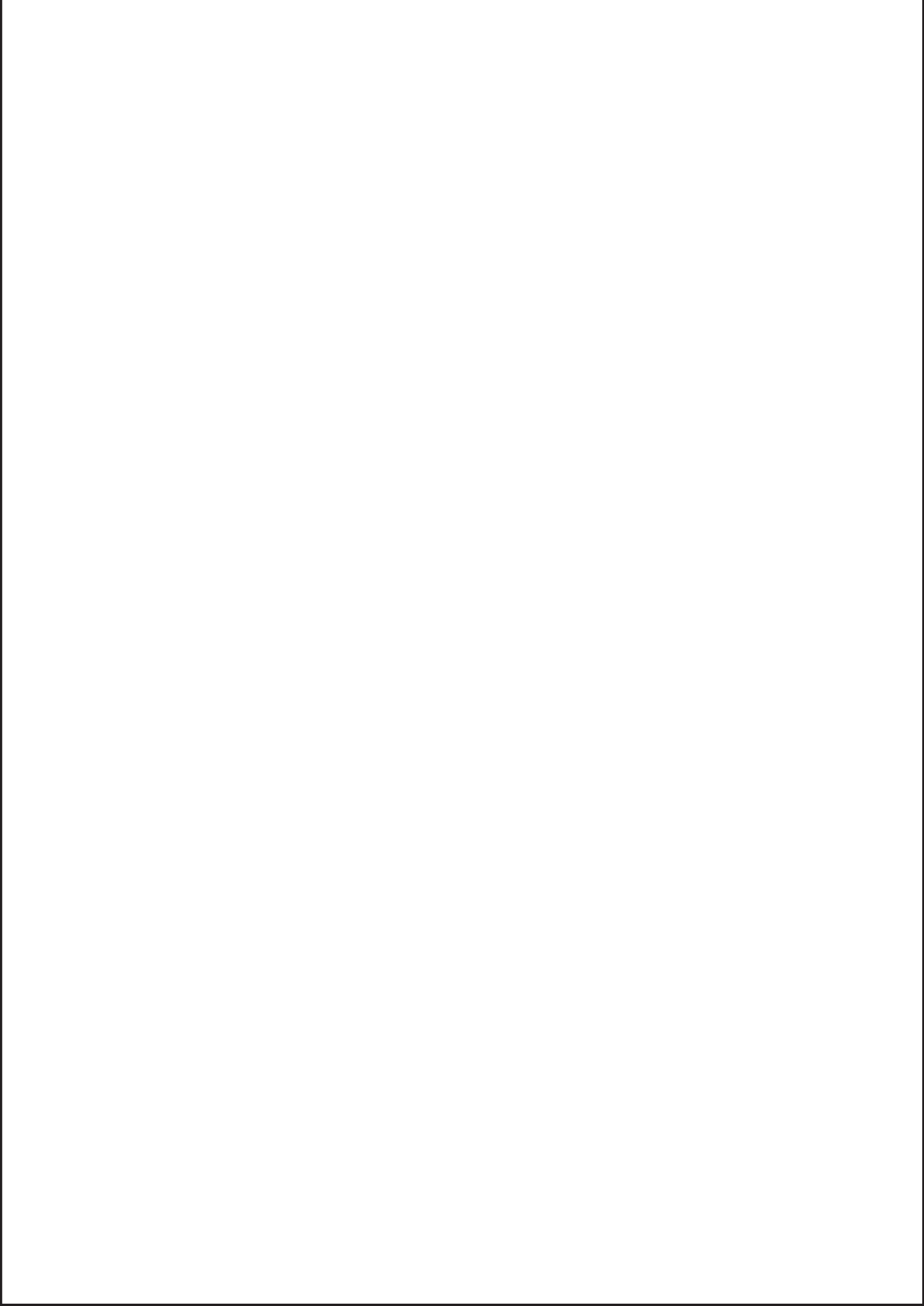
Start something great



PRATO 33

32⁷/₈in x 20³/₄in x 10in





PRODUCT INFORMATION

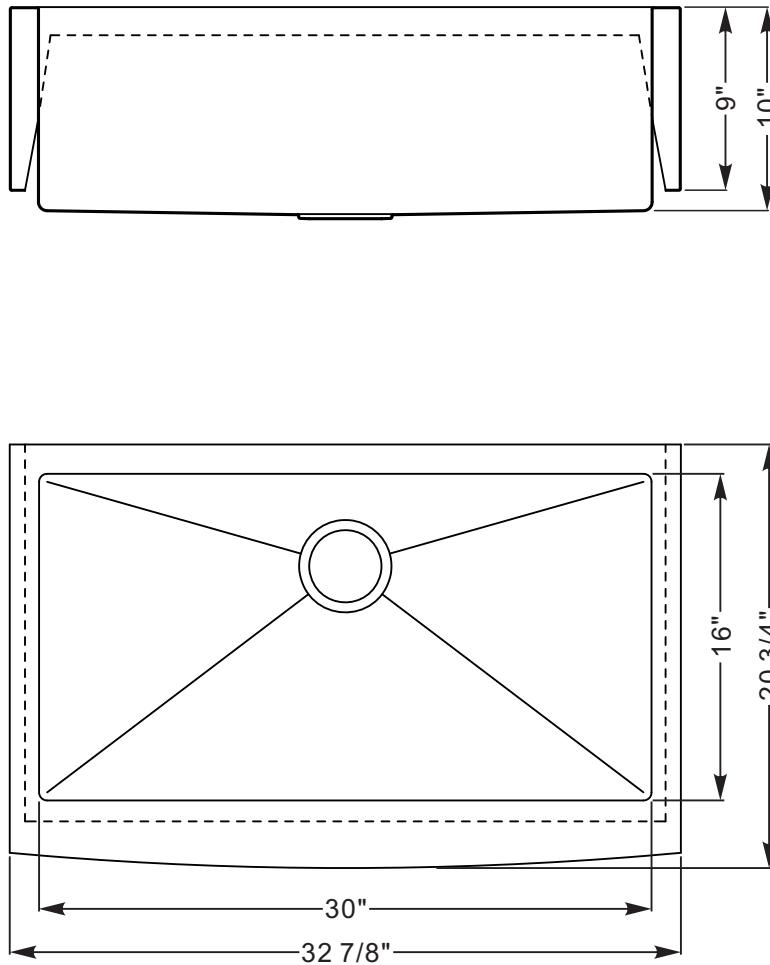


Fig.1

PRODUCT DESCRIPTION

- Premium grade handmade sink
- 16 gauge Stainless Steel T304
- 10mm/0.4inch radius coved corners
- Best-in-breed sound and thermal insulation
- Limited lifetime warranty

PACKING LIST

- Sink
- Strainer(s)*
- Bottom Grid(s)**
- Mounting Hardware
- Cut-out Template

*All sinks come with a basket strainer. Double bowl sinks include a second strainer.

**Single bowl sinks include a one-piece bottom grid. Double bowl sinks come with a two-piece bottom grid.

INSTALLATION INSTRUCTIONS

PRODUCT INFORMATION

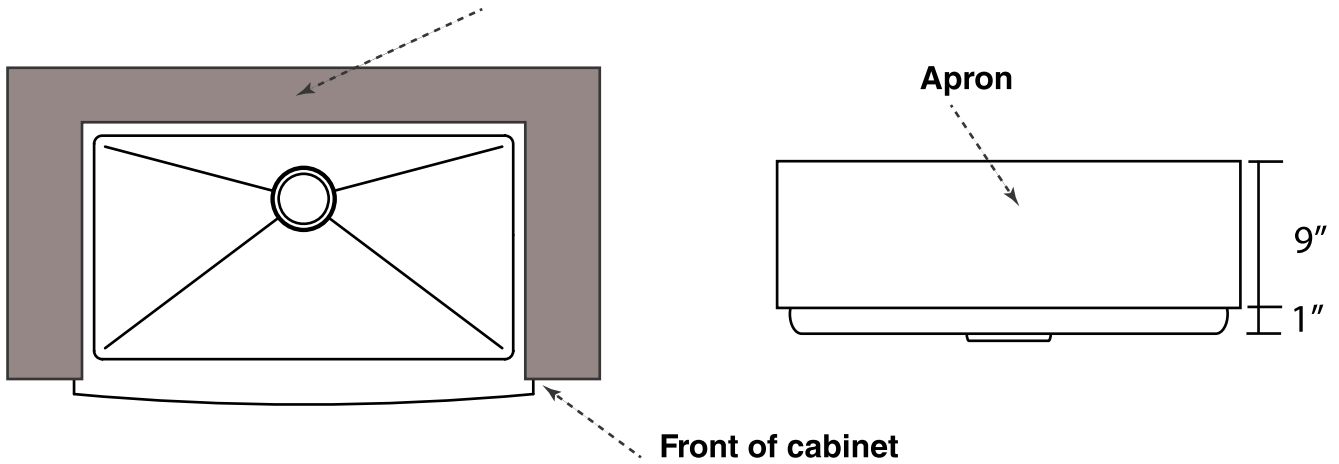
Roughing-In

Minimum Standard cabinet Size required

Sink Size	Minimum Cabinet Size
36"	36"
33"	33"
30"	30"
24"	24"

INSTALLATION INSTRUCTIONS

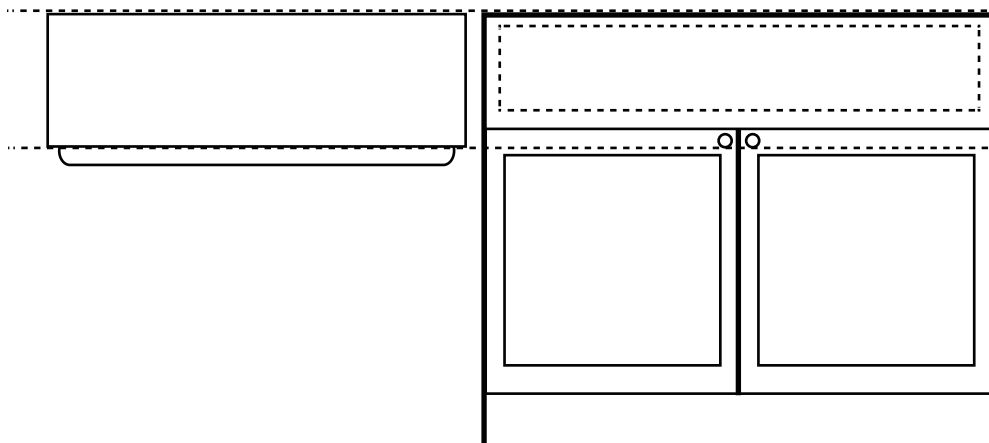
Ensure clearance for faucet installation



CARE AND MAINTENANCE

Note: Please consider these details before you choose your cabinet, for standard size cabinet modifications may be required.

SUPPORT AND WARRANTY



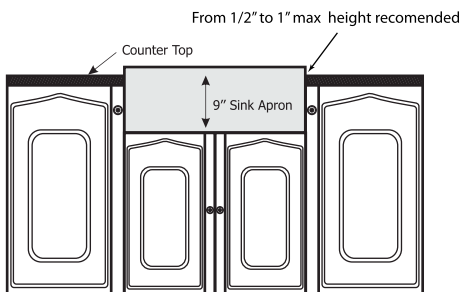
INSTALLATION INSTRUCTIONS

Please Note:

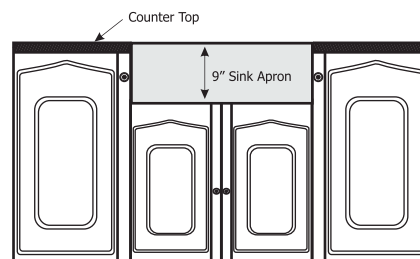
The step-by-step guideline below is a general reference for installing the Zuhnë Farmhouse Sink. Please keep in mind that this is a custom installation. Zuhnë cannot be liable should there be any discrepancies with your installation. Zuhnë recommends installing all Zuhnë products by hiring a licensed, professional plumber.

STEP 1: Choose your Mounting Style

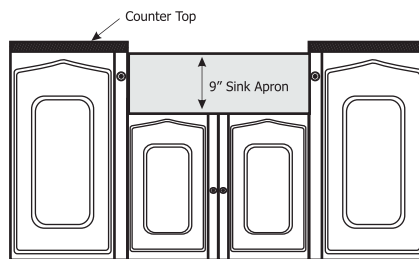
Built-Up



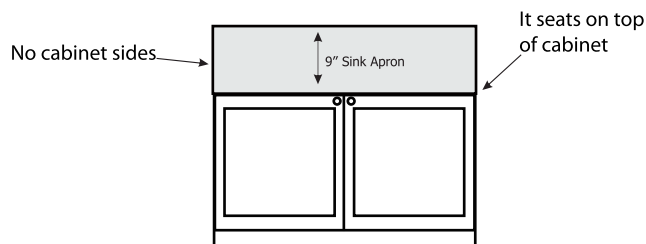
Flush



Undermount

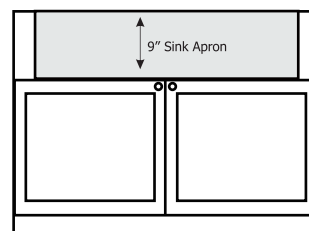


Drop On



Cabinet sides modification required for Drop On.

Drop In



PRODUCT INFORMATION

INSTALLATION INSTRUCTIONS

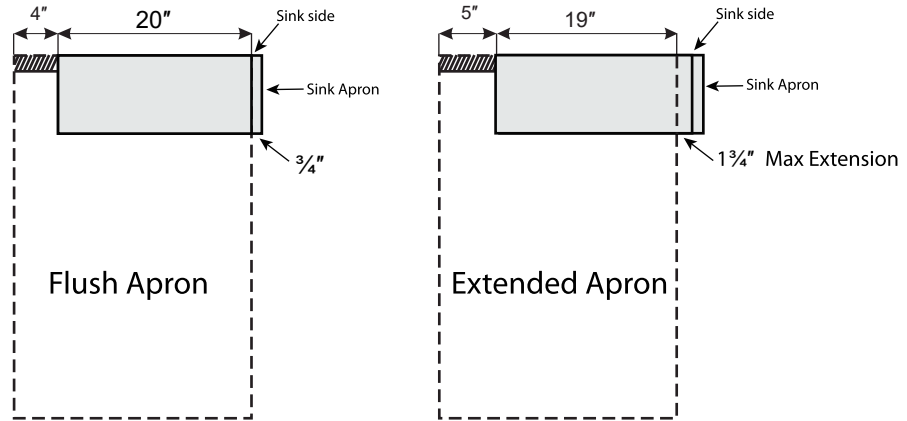
CARE AND MAINTENANCE

SUPPORT AND WARRANTY

INSTALLATION INSTRUCTIONS

PRODUCT INFORMATION

Apron Reveal Options



INSTALLATION INSTRUCTIONS

STEP 2: Measures for Supports

Measure the "true" height of the sink, from where the top aligns with the countertop surface to the bottom of the sink's sides, which will rest on the supports.

Transfer this measurement to the interior cabinet sides and mark a level line from back to front. This is where the supports will be added to carry the weight of the sink.

CARE AND MAINTENANCE

STEP 3: Install the Supports

There are many ways to install the supports on the cabinet, the main task is to create a support frame inside the base that the sink will sit upon.

We recommend the use of 2x4 solid wood studs to create the support frame. The frame should be strong enough to hold up to 300 lbs. of weight once installed.

The support frame should be positioned so that the top of the sink is level and flush with surface of the cabinet perimeter.

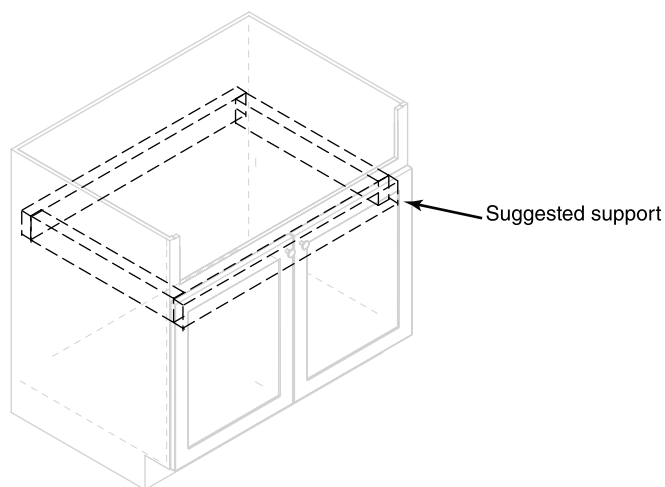
Make sure that the support frame leaves room for the drains, faucet water lines and if there is one, a garbage disposal.

SUPPORT AND WARRANTY

On each cabinet side, install 2x4 supports. Position the tops of the supports so that they are even with the level lines. Use construction adhesive and 1-5/8" square-drive deck screws to attach the supports. First, apply the adhesive then clamp the supports firmly in place, then drive the screws through the cabinet sides into each support.

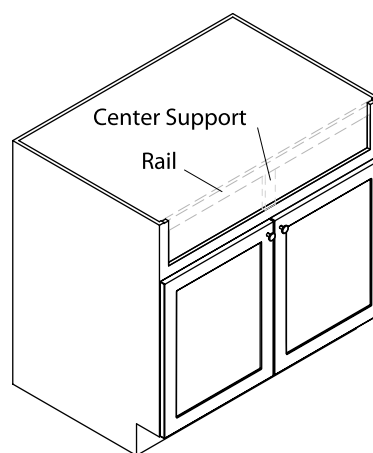
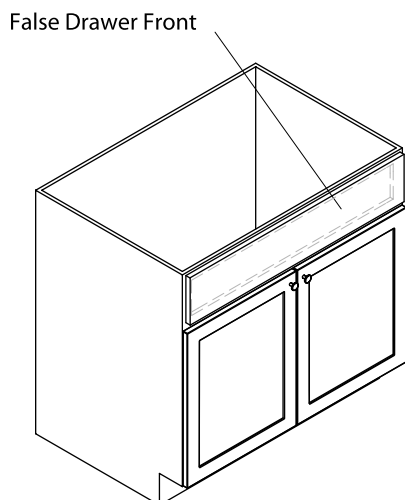
Note: While the above method for supports is suggested, a professional plumber may use his discretion for methods available to him.

INSTALLATION INSTRUCTIONS



STEP 4: Cut the Cabinet Front

Measure the height of the sink front, and add 1/8" to this dimension when you mark the base cabinet front cutout. This allows the sink to rest just above the cut edge, without being supported by it. Depending on your base cabinet, it may be necessary to remove the doors and replace them with smaller doors. Use a jig saw to cut out the sink-front opening.



PRODUCT INFORMATION

INSTALLATION
INSTRUCTIONS

CARE AND MAINTENANCE

SUPPORT AND WARRANTY

INSTALLATION INSTRUCTIONS

PRODUCT INFORMATION

INSTALLATION
INSTRUCTIONS

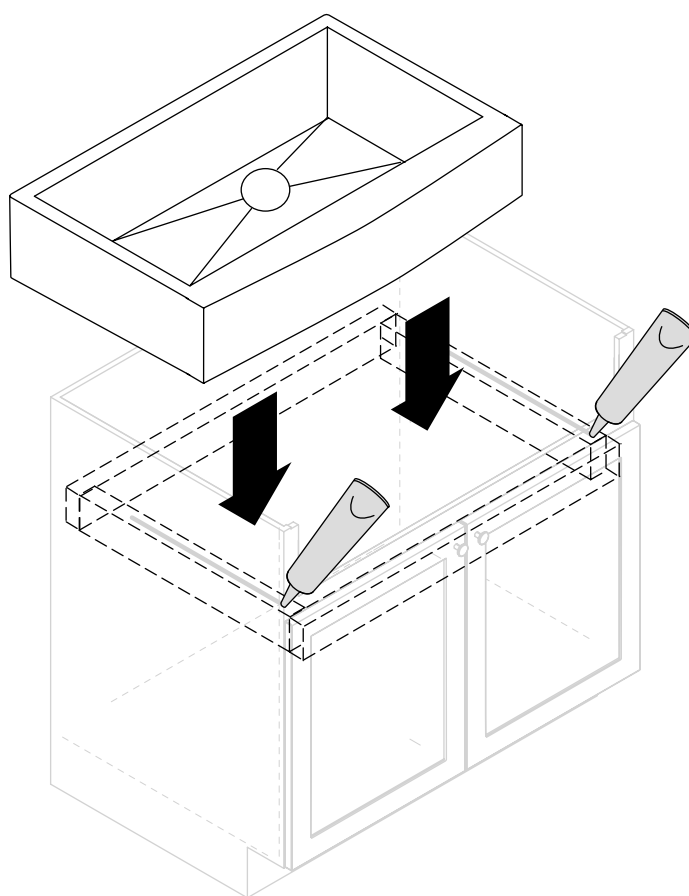
CARE AND MAINTENANCE

SUPPORT AND WARRANTY

STEP 5: Install the Sink

Test-fit the sink in the opening. The entire weight of the sink should be carried by the side supports. Check that the sink is level from side to side and front to back. If necessary, add tapered wood shims to adjust.

Install the sink and use silicone caulk to fill in the gaps below the sink front, and between the sink and countertop.



CARE AND MAINTENANCE

You have purchased a premium product that is guaranteed to last a lifetime if proper care is taken.

DO NOT

- Leave standing water in the sink. Keep the sink clog-free at all times.
- Use abrasive cleaning materials such as steel wool that may scratch the surface.
- Use industrial grade or acid-based cleaning solutions that can damage the sink's surface or finish.
- Leave corrosive or rust-prone materials such as metal utensils or cookware for long periods of time in the sink.
- Leave any cleaning materials or household cleaning agents or bleach for long periods of time in the sink.
- Leave water spots on the sink. Clean and towel-dry the sink after every use.
- Use a sharp object such as a knife directly or indirectly on the sink.
- Rub or scrub against the direction of the grain lines on the sink.

CLEANING

- Clean the sink daily using mild soap and warm water. Wipe the sink dry after every use. Rub lightly in the direction of the grain lines.
- Use a mixture of vinegar and water if you find mineral deposits on the sink. Rinse the sink thoroughly if vinegar or other cleaning solutions are used.
- Stubborn stains may be removed using mild abrasive cleaners such as Bar Keepers Friend.

PRODUCT INFORMATION

INSTALLATION
INSTRUCTIONS

CARE AND MAINTENANCE

SUPPORT AND WARRANTY

SUPPORT AND WARRANTY

PRODUCT INFORMATION

Customer Support

ZUHNE, LLC
8383 Commerce Park Drive #600
Houston, TX 77036

1-855-55-ZUHNE
www.zuhne.com
info@zuhne.com

ZUHNE, LLC Limited Lifetime Warranty Sinks

INSTALLATION
INSTRUCTIONS

Pursuant to the terms and conditions set forth in this Limited Lifetime Warranty (this "Warranty"), ZUHNE, LLC ("ZUHNE") hereby warrants to the original consumer purchaser ("the Owner"), in the originally installed location, the enclosed sink (the "Product") to be free from any material defects in materials and workmanship. There are no express warranties other than those contained in this Warranty, and all representations or affirmations made by ZUHNE or any other person were for illustrative purposes only. No agent, employee, or representative of ZUHNE has any authority to bind ZUHNE to any affirmation, representation, or warranty concerning the Product, and unless an affirmation, representation, or warranty made by an agent, employee, or representative is specifically included within this Warranty, it will not be enforceable by the Owner.

Exclusions

Please refer to the Use & Care Manual supplied with your new ZUHNE product. This Warranty becomes null and void if any of the following are determined to be contributing factors to failure of the Product under this Warranty.

1. Abuse, neglect, misuse or misapplication.
2. Improper, dangerous, or destructive maintenance procedures.
3. Damages caused by services performed by unauthorized servicers.
4. Use in conjunction with any unapproved device.
5. Installation in an environment that is corrosive or otherwise destructive to the product, whether internal or external.
6. Installation in violation of applicable state or local plumbing or housing codes.
7. Acts of God including, but not limited to: fire, flood or natural disaster.

In the event of a ZUHNE recognized defect, malfunction, or failure to conform with this Warranty and based upon ZUHNE's approval of warranty claim, ZUHNE, at its sole and absolute discretion, will settle the warranty claim of such defect, malfunction, or failure to conform with this Warranty. In order to make a claim under this Warranty, the Owner must notify ZUHNE or its authorized representative of the failure of the Product to conform to this Warranty.

Under this Warranty, ZUHNE will only provide replacement parts. The Owner will be responsible for any other costs incurred including labor costs for servicing the product, shipping, delivery, and handling of the replacement part, costs for permits or materials necessary for the repair, or incidental costs resulting from damage external to the unit resulting from the failure.

NOTWITHSTANDING ANYTHING IN THIS WARRANTY TO THE CONTRARY, EXCEPT FOR ZUHNE'S AFFIRMATIVE OBLIGATIONS EXPRESSLY SET FORTH IN THIS WARRANTY, ZUHNE DISCLAIMS ANY AND ALL WARRANTIES, EITHER EXPRESS OR IMPLIED, REGARDING THE PRODUCT AND ITS FUNCTIONALITY, PERFORMANCE, MERCHANTABILITY, FITNESS FOR PARTICULAR PURPOSE OR INTELLECTUAL PROPERTY RIGHTS. ZUHNE DISCLAIMS ALL OTHER OBLIGATIONS OR LIABILITIES ON ITS PART AND NEITHER ASSUMES NOR AUTHORIZES ANY OTHER PERSON TO ASSUME FOR ZUHNE ANY OTHER LIABILITIES IN CONNECTION WITH THE PERFORMANCE OF THE PRODUCT. THIS WARRANTY ONLY COVERS REPLACEMENT PARTS AND DOES NOT COVER COST OF LABOR OR SERVICES UNDER ANY CIRCUMSTANCES.

ZUHNE shall not be liable for any claim or demand against ZUHNE by any other part for damages of any kind, including, but not limited to incidental and consequential damages, arising out of the subject matter of this Agreement. Some States do not allow exclusion or limitation of incidental or consequential damages, so the above limitation or exclusion may not apply to you. This Warranty gives you specific legal rights. You may also have other rights that vary from State to State.

CARE AND MAINTENANCE

SUPPORT AND WARRANTY

