

# BDC8 COLDPLATE PUSH CART



## SPECS AND FEATURES

INTERIOR STAINLESS STEEL

TOP IS 20 GAUGE STAINLESS STEEL

STANDARD HOLDING TEMPERATURE IS 0 DEGREES. OTHER HOLDING TEMPERATURES ARE OPTIONAL

OPERATING TEMPERATURES -30 TO +10 DEGREES

ALUMINUM BASE FRAME

BOTTOM DRAIN FOR DEFROST

CONDENSING UNIT ON GLIDE-OUT BASE

8" WHEELS, (2) SWIVEL WITH LOCKS, (2) RIGID

5 YEAR LIMITED WARRANTY

LID LOCKS INCLUDED

WHITE LEXAN FINISHED EXTERIOR STANDARD

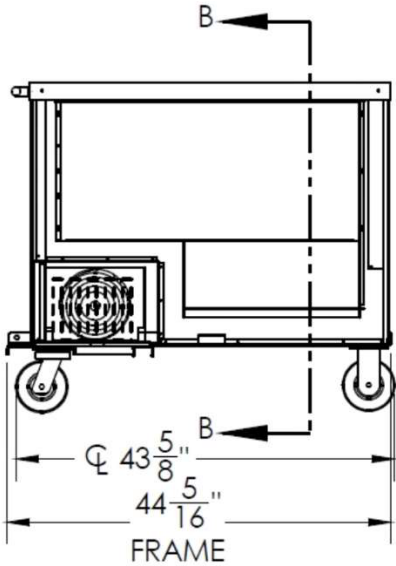
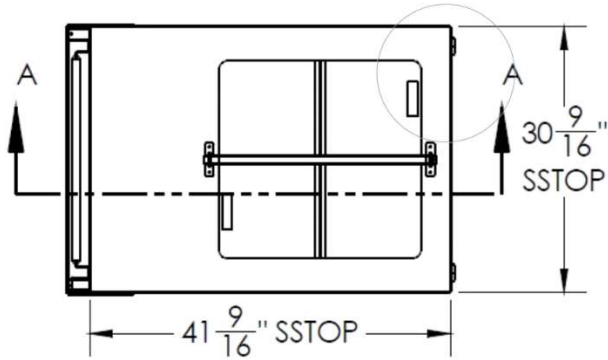
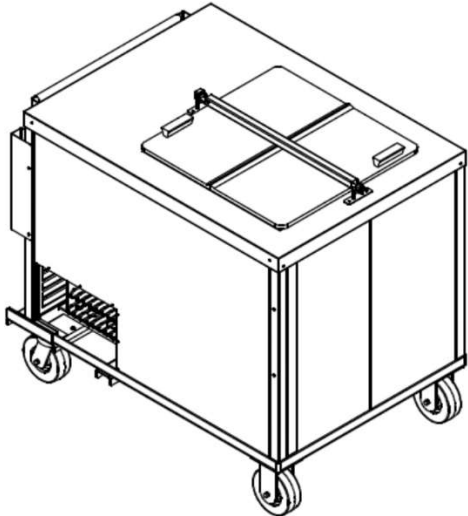
HOLDS APPROX. 800 NOVELTIES OR 10 3-GALLON TUBS



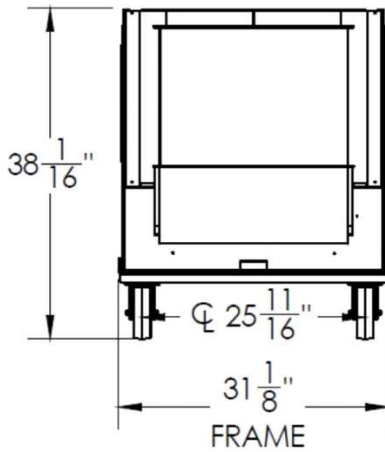
MODEL	BDC8
TUB CAPACITY	(10) 3-GAL CANS
TOP FACING	6 FACING
BOTTOM STORAGE	4 STORAGE
COMPRESSOR HORSEPOWER	1/3 HORSEPOWER
ELECTRICAL - STANDARD	115 VOLT, 5 AMPS
ELECTRICAL - OPTIONAL	220 VOLT, 5 AMPS
REFRIGERANT	R290



BDC8



SECTION A-A



SECTION B-B



ICE CREAM EQUIPMENT SPECIALISTS

📍 2106 NW 67th Pl Ste 1 Gainesville, FL, 32653

🌐 [www.ices.cool](http://www.ices.cool) 📞 775-283-8274 ✉ [sales@ices.cool](mailto:sales@ices.cool), [ventas@ices.cool](mailto:ventas@ices.cool)