



ICE CREAM  
EQUIPMENT  
SPECIALISTS

# GEL 4

## Case Features:

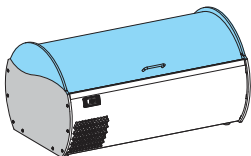
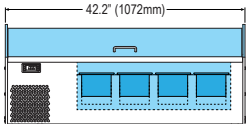
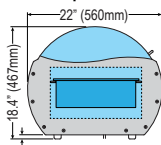
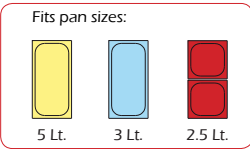
- Counter top freezer for Ice Cream/ Gelato, 4 or 8 Flavors
- Transparent cover
- Fan assisted cooling
- Low noise level
- Low energy consumption 115V Plug and go
- Perfect for Catering Events - Pop-up Stores, Dessert Service



The Gel 4 is also a great option for ice cream and gelato products, such as: Popsicles, cakes, and cups!



## DISPLAY CASES

Type	Model	Width	Depth	Height	Electrical Requirements
GELATO	GEL 4	42.2" (1072mm)	22" (560mm)	18.4" (467mm)	115V/1Phase/60Hz/15 Amps
					

All technical data, pictures and drawings contained in this brochure are not binding on the manufacturer, nor can the manufacturer be held liable for any modification of the machine, in part or in whole.



ICE CREAM  
EQUIPMENT  
SPECIALISTS

📍 2106 NW 67th Pl Ste 1 Gainesville, FL, 32653

🌐 [www.ices.cool](http://www.ices.cool) 📞 775-283-8274 ✉ [sales@ices.cool](mailto:sales@ices.cool), [ventas@ices.cool](mailto:ventas@ices.cool)