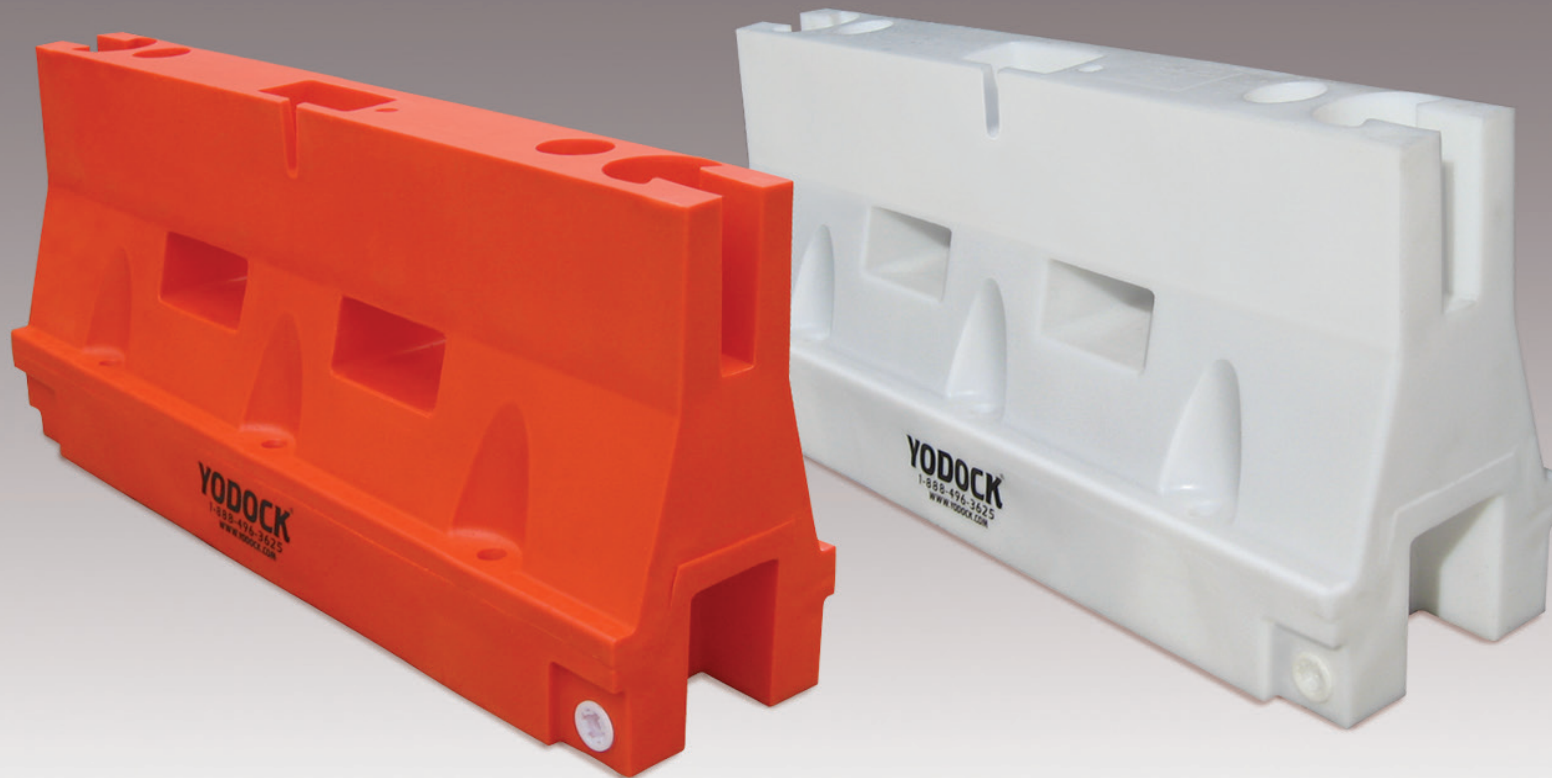


Yodock® 2001M

LONGITUDINAL CHANNELIZING DEVICE



MASH

Yodock® 2001 M

The Yodock® 2001M Barricade is a plastic, water-filled Longitudinal Channelizing Device (LCD) used for traffic and pedestrian channelization, road and street closures, or perimeter fencing for vertical construction. When deployed as an LCD, the units are attached end-to-end using a plastic coupler.

Additional application specific accessories are also available for the Yodock® 2001M Barricade.

APPLICATIONS

- Construction & Temporary Work Zones
- Longitudinal Channelizer
- Temporary Sign Support
- Perimeter Fencing
- Airport Construction & Maintenance
- Parking Facilities
- Municipal & Public Utilities
- Security Checkpoints
- Events & Crowd Control
- Parks & Recreational Facilities

FEATURES

- Lightweight system enables convenient positioning by hand.
- Can be accessorized for longitudinal barrier, perimeter fencing, road closure, and temporary sign support applications.
- Stackable for more efficient transportation and storage.
- Made of Low Density Polyethylene (LDPE).
- Convenient forklift access for maneuverability.
- Available in custom colors.

FHWA ELIGIBILITY

MASH

- Longitudinal Channelizing Device (LCD); Test Level 2

NCHRP 350

- Longitudinal Channelizing Device (LCD)
- Work Zone Barricade
- Temporary Sign Support
- Longitudinal Barrier
(When used with Steel Rail Kit)

- 1 Interlocking Coupler
- 2 Light Box Recess
- 3 Fill Hole
- 4 Drain Hole
- 5 Forklift Access
- 6 Ground Mounting Ports

SPECIFICATIONS

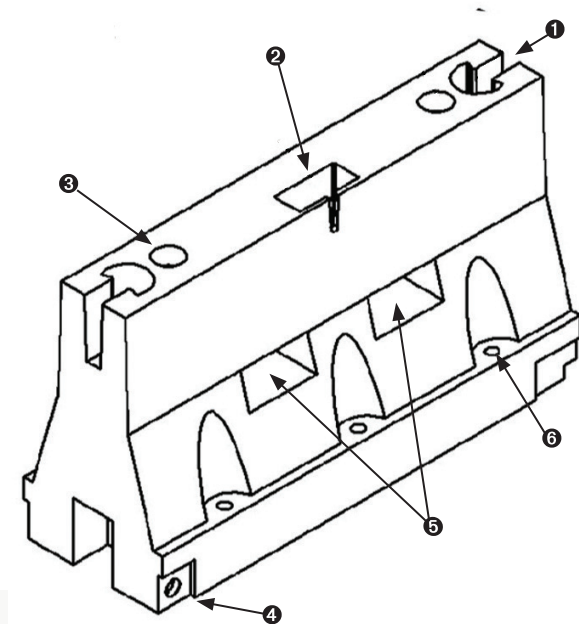
- 6' Length
- 18" Width
- 32" Height
- Empty Weight: 75 lbs.

MASH

- Ballast Capacity: 55 gal.
- Ballasted Weight: 534 lbs.

NCHRP 350

- Ballast Capacity: 80 gal.
- Ballasted Weight: 750 lbs.



DISTRIBUTED BY



9-22
WWW.VALTIR.COM
1.888.496.3625