

# Quest<sup>®</sup> System

## CRASH CUSHIONS





# Quest® System

The QUEST® is a redirective, non-gating crash cushion that consists of a series of W-beam fender panels supported by diaphragms and features an integrated front trigger mechanism. The system is tested to NCHRP Report 350 Test Level 2 and Test Level 3. The QUEST® crash cushion can be used to shield fixed objects of 24" to 36" (610 mm to 914 mm) wide.



## FEATURES

- Deployable for unidirectional or bidirectional applications.
- Compact and lightweight design.
- Freestanding backup.
- Open frame design helps facilitate inspection and maintenance.

## ASSEMBLY AND MAINTENANCE

- Arrives assembled.
- Multiple anchorage options.
- Uses only 15 anchorage bolts.

## BACK-UP STRUCTURE AND ATTACHMENTS

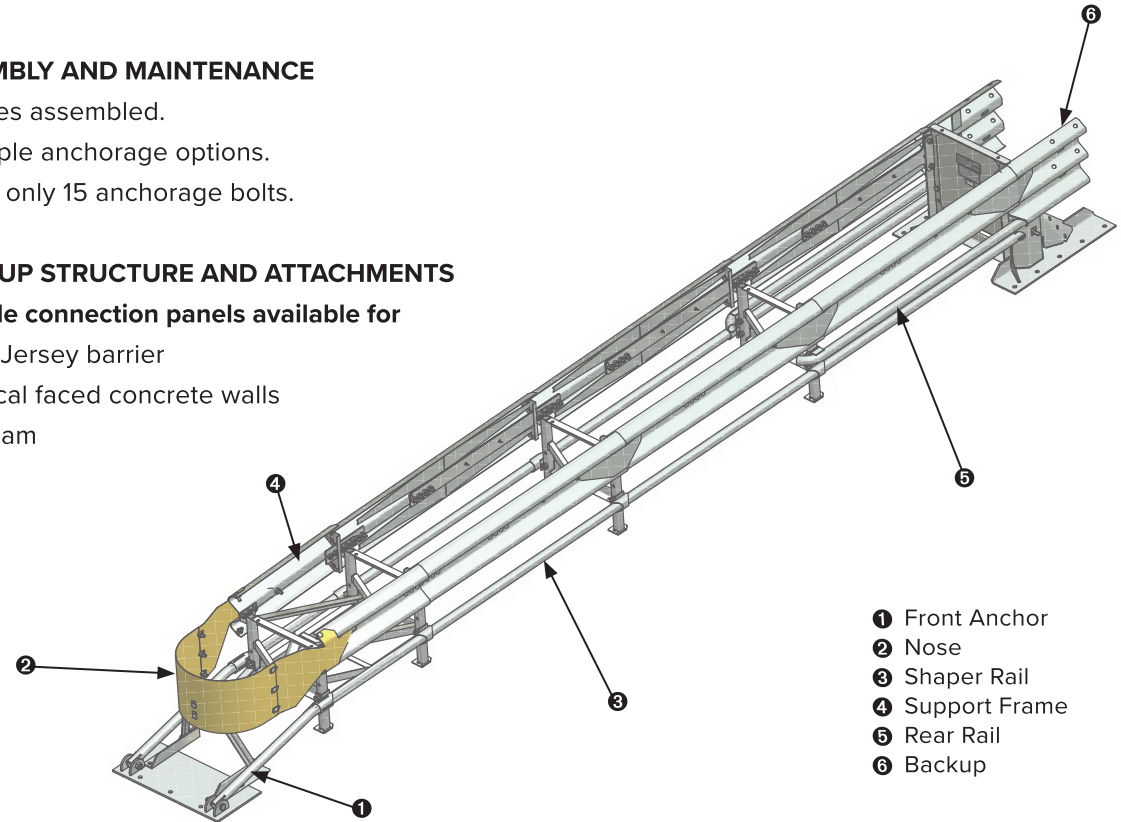
### Multiple connection panels available for

- New Jersey barrier
- Vertical faced concrete walls
- W-beam

## SPECIFICATIONS

### Typical Test Level 3 Unit

- 27' (8.27 m) Long
- 2' (610 mm) Wide, 2' 6" and 3' Wide
- 1,493 lbs. (677 kg)
- Test Level 2 Unit is 21' Long



- 1 Front Anchor
- 2 Nose
- 3 Shaper Rail
- 4 Support Frame
- 5 Rear Rail
- 6 Backup

DISTRIBUTED BY



10-22  
[WWW.VALTIR.COM](http://WWW.VALTIR.COM)  
 1.888.323.6374