

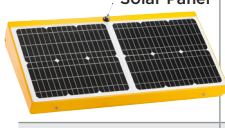


SZ-9407-40W

RRFB Rectangular Rapid Flashing Beacon



SELF-CONTAINED 40 WATT SOLAR ENGINE

	Solar Panel Solar Cell - Monocrystalline Silicon Rated Power (Pmp) 40 Watts Rated Voltage (Vmp) 18 VDC Rated Current (Imp) 2.2 A Certifications: CE and TUV certified
	Solar Angle 44° (Standard)
	Standard Battery Bank 2 x AGM 12V, 18 Ah - UL Recognized, field replaceable
	Cold Weather Battery Bank Option 2 x AGM 12V, 16 Ah - UL Recognized, field replaceable
	Solar Engine Housing Material A5052 Sheet Aluminum (Enclosure) 6061-T6 Aluminum (Mount)
	Solar Engine Dimensions 30.875" x 13.25" x 4.5" (78.4 x 33.7 x 11.5cm)*

POWER MANAGEMENT

Rated Usage	300 cycles per day, 25 second activation
Charged Capacity	Up to 30 days at rated usage
Automatic Light Control (ALC)	Various stages of brightness for different solar conditions and battery levels

SYSTEM PROTECTION

Low Voltage Disconnect	9.5 VDC
Over Current Protection	1.8 Amp PTC auto-reset fuse
Self Monitoring	Visual notification of sub-optimal operation

DUAL RRF LIGHT BAR

Standard Followed	ITE VTCSH-STD 2005
RRFB Housing Material	A5052 Sheet Aluminum (Lightbar) 6061-T6 Aluminum (Mount)
LED Size	3" x 7" (76.2 x 177.8mm)* x two per lightbar
Tell Tale LED Size	1" x 2" (25.5 x 51mm)*
Housing Dimensions	24" x 3.0625" x 3.75" (61cm x 7.75cm x 9.5cm)*
Std. LED Color Options	Amber or Red (custom colors available)
RRFB Mount	Universal Jaw Mount Telespar Jaw Mount Side Mount Bracket

COMMUNICATION

Band of Operation	ISM Band (902-928 MHz)
Compliance	FCC and IC Compliant
Range	Up to 0.25 miles (400 m) with line of sight
Network Addresses	16 unique addresses to avoid interference between multiple crosswalk locations
Compatibility	Can communicate with other SZ units

SYSTEM OPTIONS

LED & Solar Engine Housing Colors	Yellow, Black or Green (custom colors available)
Mounting Options	Round Pole Collars: 2.5", 3.5", 5" and 6" Telespar Mount: 2" Square Wood Post Mount: 4" x 4", 6" x 6" Side Mount Bracket: 12", 18" and custom lengths available Custom Mounts Available

SYSTEM OVERVIEW

Compliance	FHWA MUTCD compliant
Standard (Std.) Operation	Programmed Schedule remotely transmitted from Primary SZ units Pedestrian Activated via push button or JSFT remote transmitters
Flash Pattern Options	RRFB Pattern (WW + S) FHWA IA-21 Approved
Activation Duration	Variable from 5 seconds to 4 hours
Std. Operating Temperature	14°F to +165°F (-10°C to +74°C)
Cold Weather Upgrade Option	-40°F to +176°F (-40°C to +80°C)
System Voltage	12 VDC
Packaged Dimensions	36" x 18" x 18" @ 79 lbs (91.4 x 45.7 x 45.7 @ 35.8 kg)*

SIGNAL HEAD AND SOLAR ENGINE AVAILABLE WITH STANDARD COLOURS; YELLOW, BLACK, OR GREEN. CUSTOM COLOURS ARE ALWAYS AVAILABLE.



SALES
Toll-Free 1.800.990.2454
sales@jsftech.com

SUPPORT
Toll-Free 1.800.990.2454
support@jsftech.com

ADDRESS
6582 Bryn Road,
Victoria, BC V8M 1X6

WARRANTY 5-year Limited Warranty for defects in workmanship and materials (excludes batteries and vandalism)

*All measurements and weights are approximate

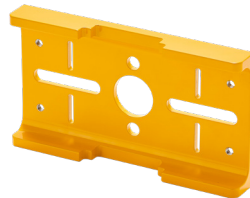


SZ-9407-40W

RRFB Rectangular Rapid Flashing Beacon



UNIVERSAL JAW MOUNT



TELESPAR JAW MOUNT



SIDE MOUNT BRACKET

RRFB LIGHTBAR MOUNTING



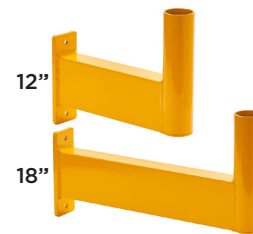
2.5" 3.5" 5" 6"

ROUND POLE MOUNT



4x4" 6x6"

WOOD SADDLE MOUNT



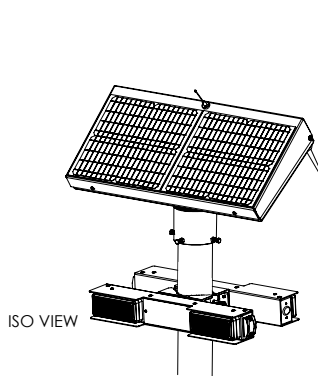
MOUNTING ARMS
(CUSTOM LENGTHS AVAILABLE)



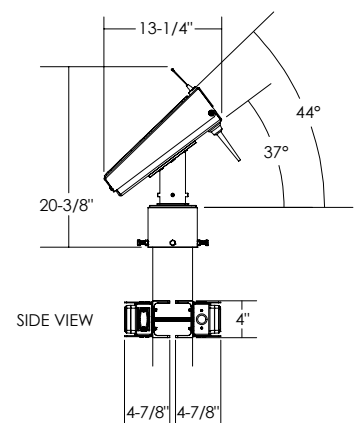
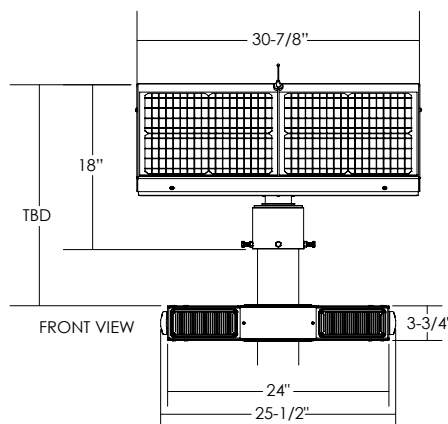
2"

TELESPAR MOUNT

SOLAR ENGINE MOUNTING OPTIONS



SZ-9407-40W



SYSTEM DRAWINGS