



BARNETT™

— EST. 1962 —>

**BAR20019 HYPERGHOST™
CRANK COCKING DEVICE (C.C.D.)
Installation and Operating Manual**

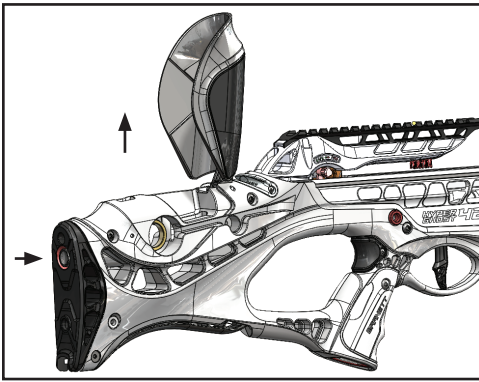
**For use with Barnett HyperGhost™ Series Crossbow models,
including HyperGhost™ 405 / HyperGhost™ 425 and future HG models.**

**For further information please call Customer Service on 1-800-237-4507
Visit us online @ www.barnettcrossbows.com**

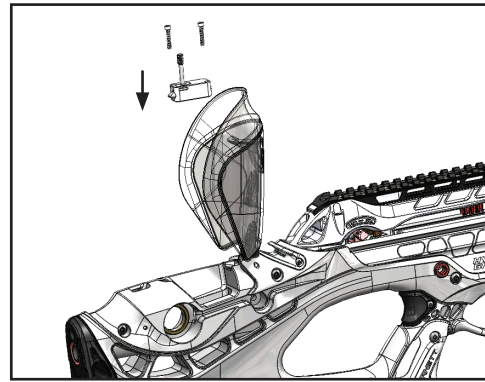
⚠ WARNING

**Prop.65 Warning for California Residents
This product may contain chemicals known to the State of
California to cause Cancer, birth defects or other reproductive harm.**

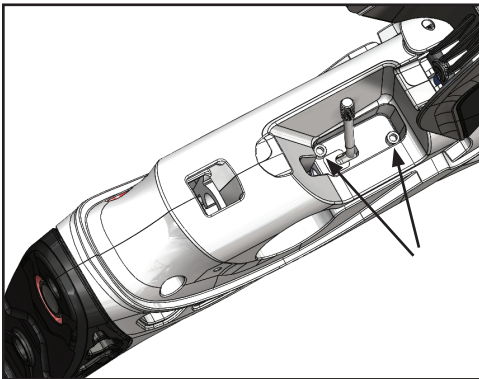
Installation Instructions



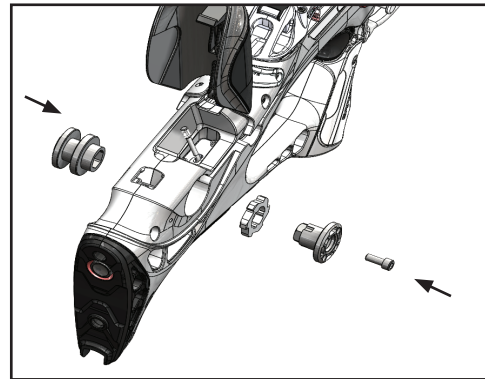
Step 1:
Press the cheek rest latch button to open the cheek rest and reveal the CCD location.



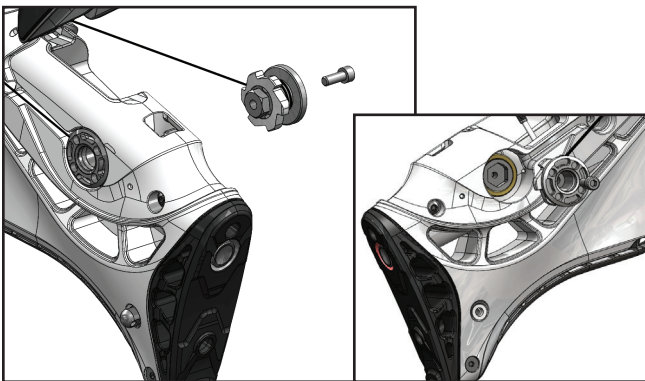
Step 2:
Locate CCD catch assembly and the 2 x #4-40 x $\frac{3}{4}$ " socket screws.



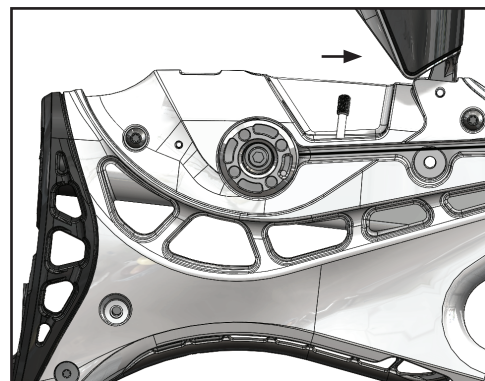
Step 3:
Toggle the CCD catch lever to the front/left OFF position as shown above. Press the CCD Catch firmly down into the stock until snapped into place. Secure the CCD Catch Assembly using the #4-40 x $\frac{3}{4}$ " socket screws.



Step 4:
Next, locate the CCD spool assembly with the string hooks. Remove the #10-24 x $\frac{1}{2}$ " socket screw from the spool assembly, allowing you to disassemble the two spools and gear. Place the right spool (with gear) into the right side of the stock, and the left spool (no gear) into the left side of the stock.

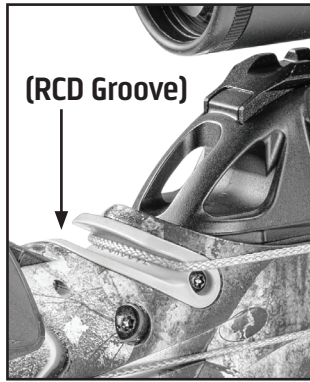
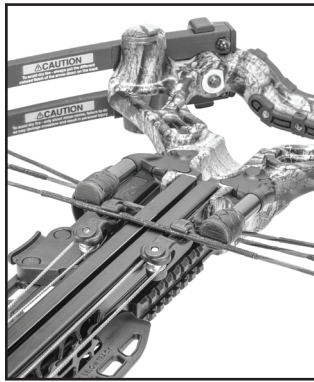
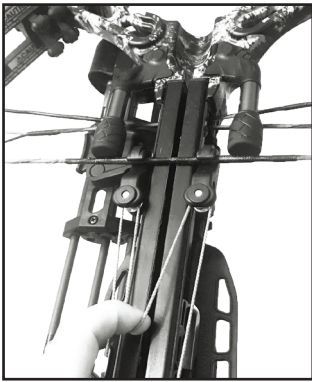


Step 5:
Align the right spool's male insert portion correctly to the left spool's female socket as shown above. These always align so that the cords are also aligned ensuring these are installed in the correct position. Tighten the #10-24 x $\frac{1}{2}$ " socket screw firm, using the CCD handle connected to the left spool to keep the spools from spinning while tightening the socket screw.



Step 6:
With the spools now tight and the CCD Catch Lever in the forward "OFF" position, you are able to unspool the string hooks towards the crossbow string.

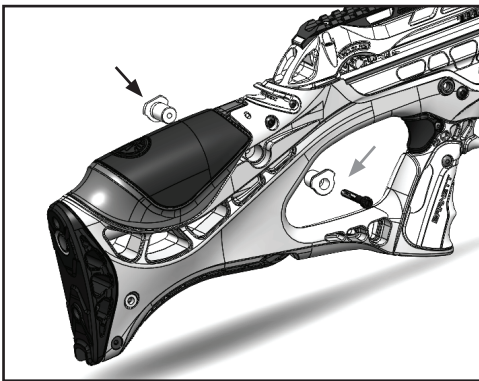
Installation Instructions (continued)



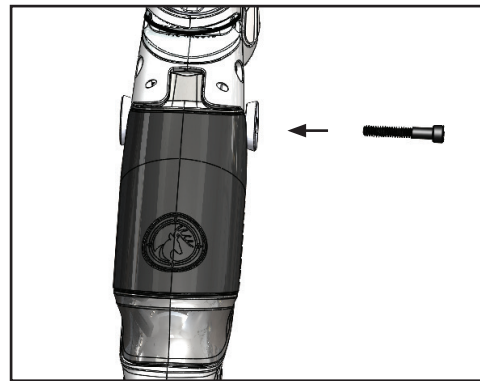
Step 7:
Hook the string hooks onto the crossbow string, and bring the CCD string in between the hooks back behind the scope and into the RCD Groove (shown above).

⚠ WARNING

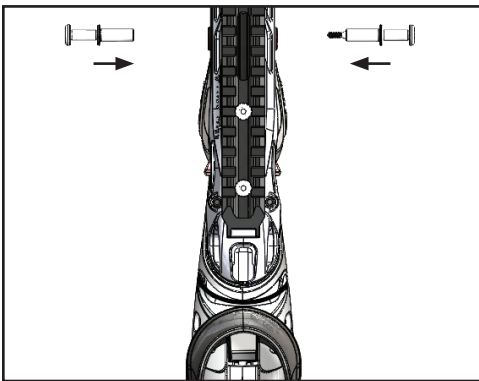
Not placing the CCD string into the RCD groove of the stock correctly will damage the bow and puts you at risk of personal injury.



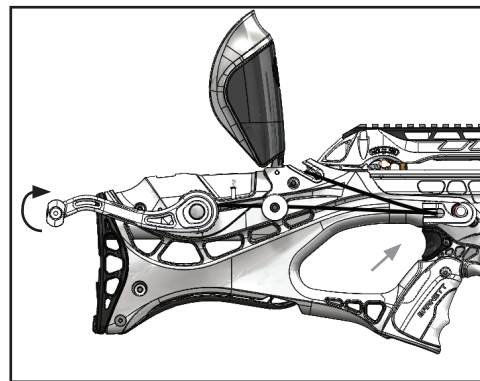
Step 8:
Locate the two CCD anchors and the #10-24 x 1.25" socket screw from the assembly package. Make sure CCD string is properly in the CCD String Groove in the stock. Place one CCD anchor in each side of the stock as shown above with the flat portion of the anchor facing up. Fully tighten with the #10-24 x 1.25" socket screw.



Note:
You will notice one of the CCD anchors is threaded while the other anchor has a countersunk hole. Thread the #10-24 x 1.25" socket screw through the countersink CCD anchor into the opposite CCD anchor so the socket screw is flush inside on the CCD anchor once fully tightened.

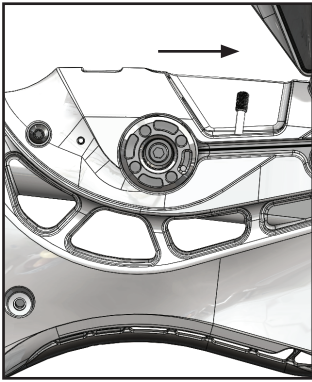


Step 9:
Lastly, locate the male and female storage pin that came with the CCD assembly. Place one storage pin on each side of the stock and through the rubber grommets as shown above. Tighten the storage pins until snug against the rubber grommet on each side.

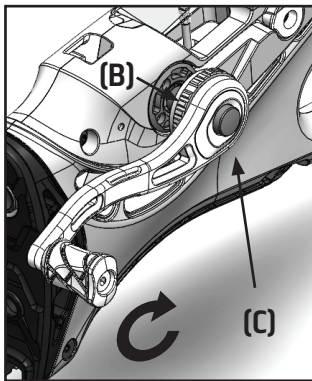


Step 10:
You may store the string hooks on the storage pins as shown above. Be sure once you place the string hooks onto the storage pins, you crank the slack CCD string taut with the catch latch engage to keep the string out of the way during the shot.

Operating Instructions

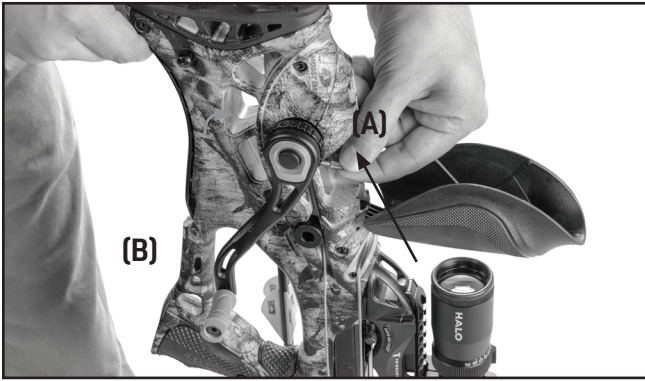


Step 1:
Move CCD catch lever forward to the OFF position, which allows the crank to move freely and then remove the string hooks from the storage pins. Make sure the rope is in the RCD groove at the rear of the trigger hood.



Step 2:
Pull the CCD hooks down towards the crossbow string (A). Place the hooks facing upwards on the string as shown above. Press the button on the CCD Handle to insert the handle into the spool, and tighten the Retaining Ring (B) to ensure the handle is correctly seated to the spool (C). Rotate CCD handle to pull the CCD cord snug.

Step 3:
Place one foot into the foot stirrup to keep the crossbow stable during the cocking of the bow. Be sure to place your foot far enough into the stirrup so that it will not slip out.



Step 4:
Engage the CCD Catch Lever (A) to the 'ON' position (Closest position to the Butt Pad). Use one hand to hold and steady the crossbow and the other to rotate the crank handle (B).

⚠ WARNING

Damage or injury can occur if foot not placed correctly.

⚠ WARNING

Make sure that the anti – reverse latch (CCD Safety) is in the 'ON' position. If the safety is not engaged the handle will be allowed to auto rotate backwards if released and will cause damage to your crossbow and will cause bodily injury.

⚠ WARNING

Always wear closed toe shoes when operating your crossbow.

⚠ WARNING

NEVER place fingers or thumbs on, in and/or near the arrow, the arrow/flight track, the string or the cables. Placing fingers and/or thumbs on, in or near these areas will result in serious injury, including finger and/or thumb amputation.

Operating Instructions (continued)



Step 5:
Rotate handle until crossbow string is fully engaged into trigger mechanism. The safety of the crossbow will automatically engage. The tumbler latch of the trigger will now be holding the string.

⚠ WARNING

Never fire your crossbow while the CCD hooks are engaged or in the path of the string or cables. This will break the CCD and or the crossbow and cause serious bodily injury.

⚠ WARNING

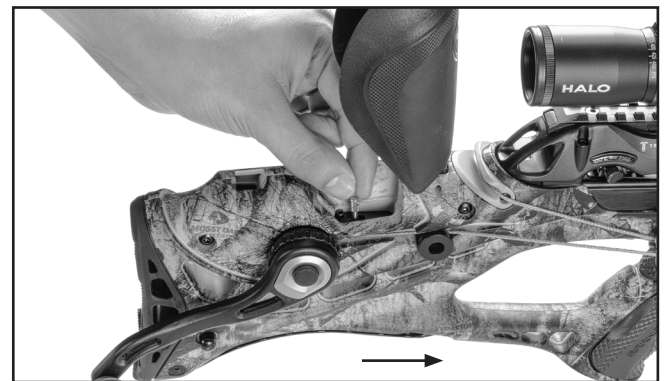
Never attempt to de-cock your crossbow using the CCD. The only way to de-cock your crossbow is to shoot it into a safe target. Never attempt to de-cock your crossbow by hand, with a rope cocking device or using a crank cocking device. Attempting to do so puts you at risk of personal injury and voids the crossbow warranty.



Step 8:
Before removing the CCD hooks from the crossbow string, make sure the Safety is in the "SAFE" position. Once the safety is in the "SAFE" position, remove the string hooks from the string.



Step 6:
Check to make sure the string is fully secured in the crossbow trigger mechanism and the safety is in the SAFE position prior to proceeding to step 7.



Step 7:
Turn the handle to relieve the load on the lever, then move the CCD Catch Lever to the OFF position.

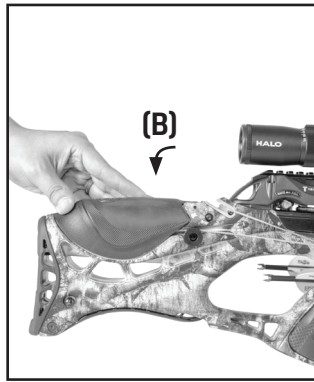
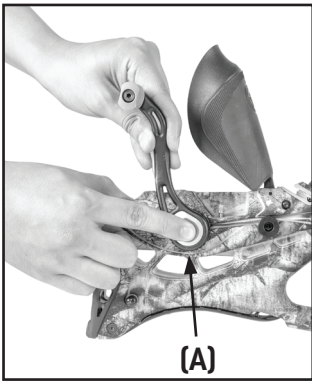
⚠ WARNING

Before disengaging the CCD Catch Lever., ensure you have a FIRM grip on the CCD handle and the bow is fully cocked to prevent injury and/or damage.



Step 9:
Re-engage the CCD Catch Lever to the ON position. Attach the String Hooks to the Hook Storage Pins and turn the cocking handle to secure the loose CCD string. DO NOT OVER-TIGHTEN.

Operating Instructions (continued)

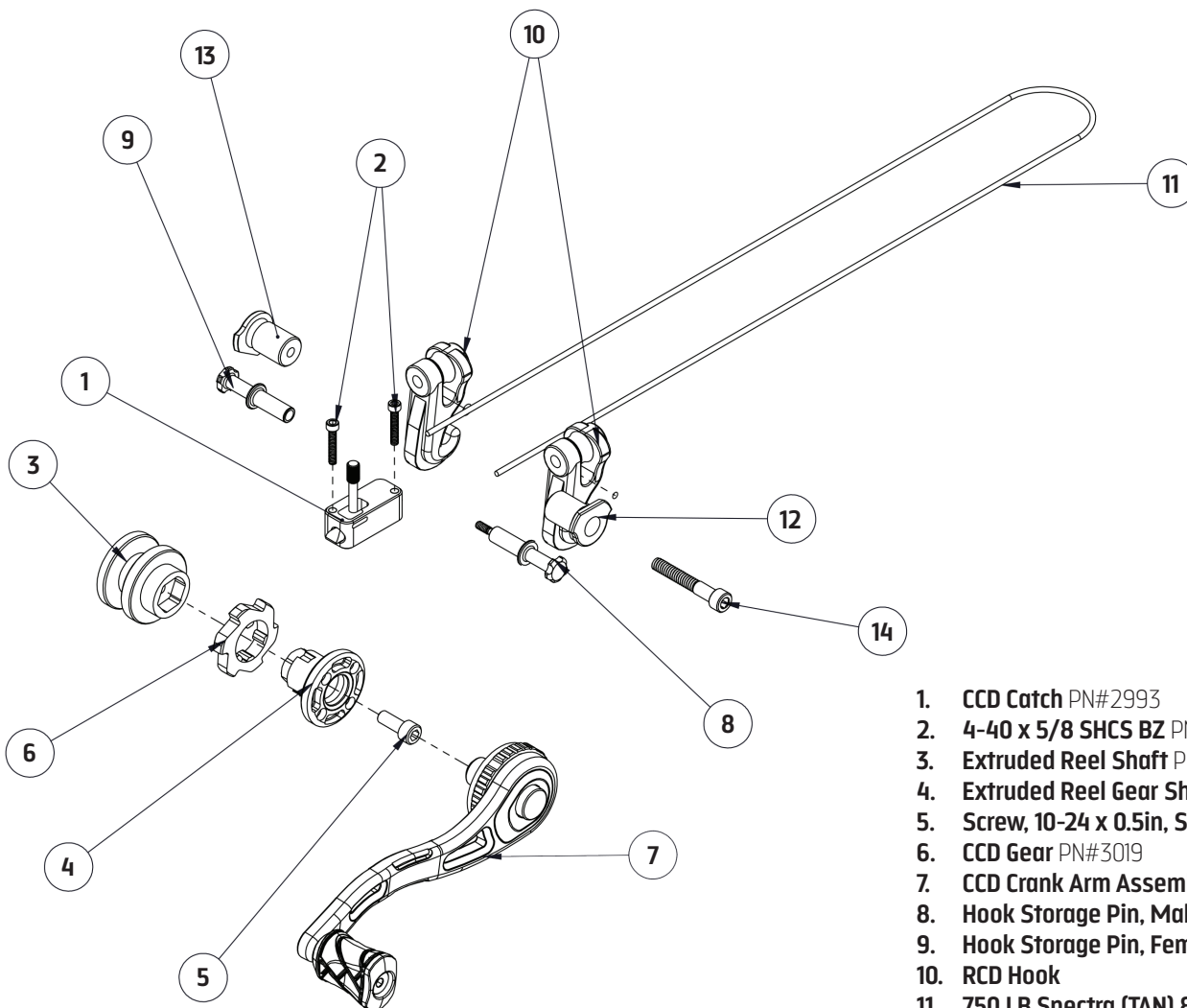


Step 10:
Loosen the retaining ring on the handle and push the button to release the crank (A). Once the crank handle has been removed, rotate the crank cover plate down (B) to close and secure the CCD catch assembly.



Step 11:
Your crossbow is now ready to be loaded and fired. **IMPORTANT!** Always follow all other warnings and safety instructions in your Barnett crossbow manual.

HyperGhost™ Crank Cocking Device (C.C.D.) Components:



1. CCD Catch PN#2993
2. 4-40 x 5/8 SHCS BZ PN#3101
3. Extruded Reel Shaft PN#3017
4. Extruded Reel Gear Shaft PN#3018
5. Screw, 10-24 x 0.5in, SHCS, BZ PN#6894
6. CCD Gear PN#3019
7. CCD Crank Arm Assembly PN#3020
8. Hook Storage Pin, Male PN#BAR730054
9. Hook Storage Pin, Female PN#BAR730055
10. RCD Hook
11. 750 LB Spectra (TAN) 84" PN#BAR730056
12. HG CCD Anchor Side One PN#BAR730112
13. HG CCD Anchor Side Two PN#BAR730113
14. 10-24x1.25 SOC Cap Black Zinc PN#3138