



BARNETT™

— EST. 1962 —→

**BAR20011 TACTICAL
CRANK COCKING DEVICE (C.C.D.)**
Installation and Operating Manual

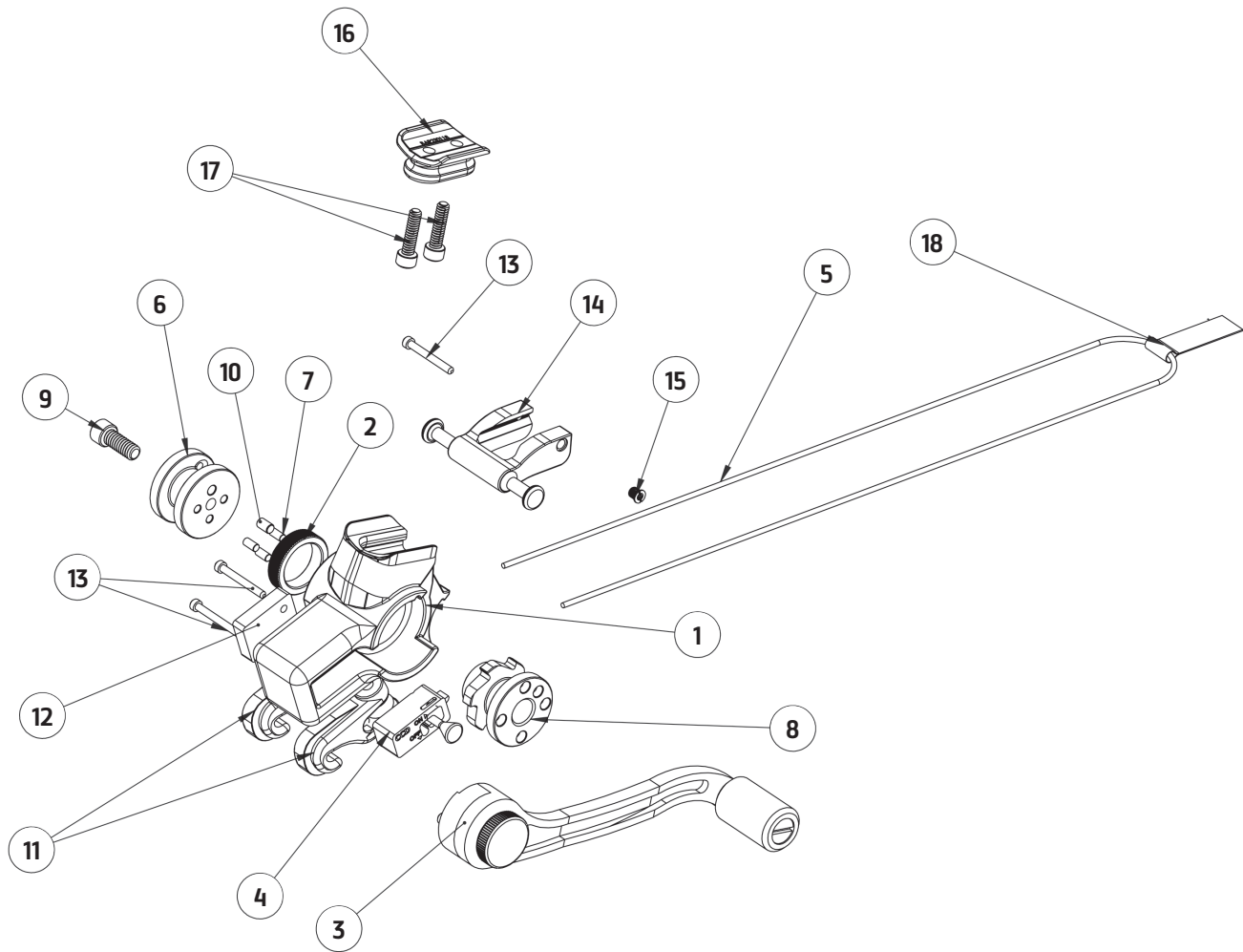
For use with Barnett Tactical Series Crossbow models,
including TS370 / TS390 and future TS models.

For further information please call Customer Service on 1-800-237-4507
Visit us online @ www.barnettcrossbows.com

⚠ WARNING

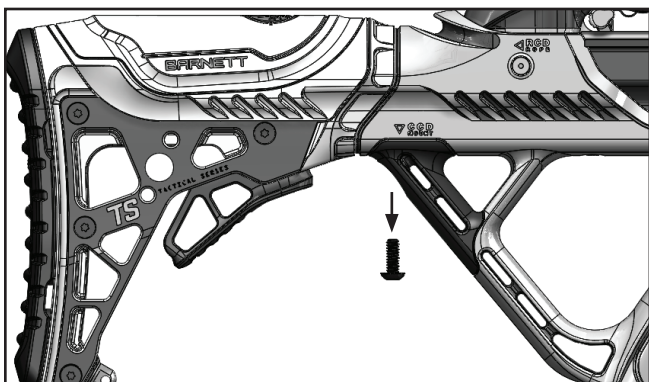
Prop.65 Warning for California Residents
This product may contain chemicals known to the State of California
to cause Cancer, birth defects or other reproductive harm.

Tactical Crank Cocking Device (C.C.D.) Components:

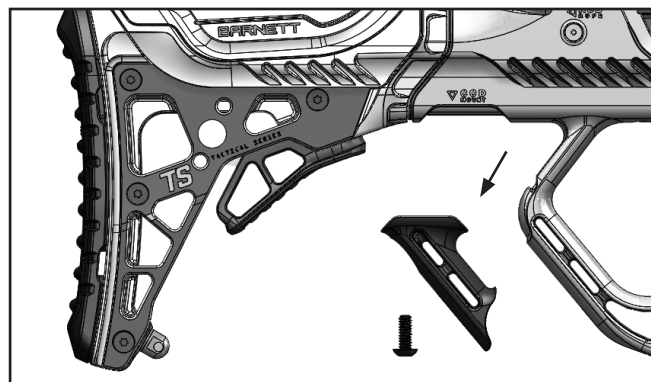


1	BAR730000	CCD Housing, Tactical
2	5195	CCD Bushing
3	5216	CCD Handle
4	BAR230660	CCD Catch Assembly
5	BAR730001	CCD String
6	5211	CCD Spool - Left
7	3153	Dowel Pin - Small
8	5212	CCD Spool - Right
9	3044	.25-20X.625 Socket Screw
10	3176	Dowel Pin - Large
11	BAR730047	RCD Hooks
12	5203	CCD Catch Body Plate
13	3154	4-40 X 1 Socket Screw
14	BAR730090	String Hook Holder
15	BAR730118	4-40 Brass Insert
16	BAR230118	CCD Mounting Bracket, Tactical
17	3658	10-24 x .75 Socket Screw
18	BAR700155	CCD String Tag

Installation Instructions



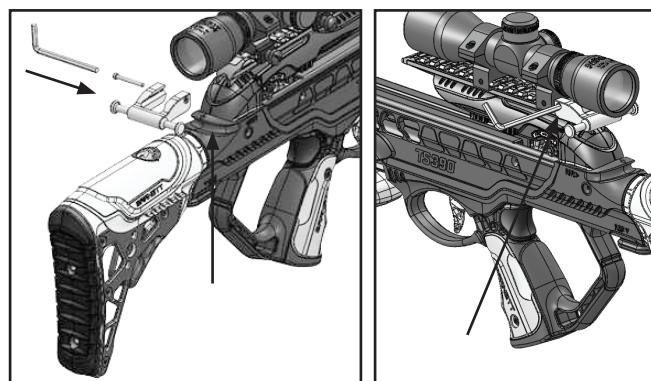
Step 1:
Remove 10-24 button head cap screw from stock brace.



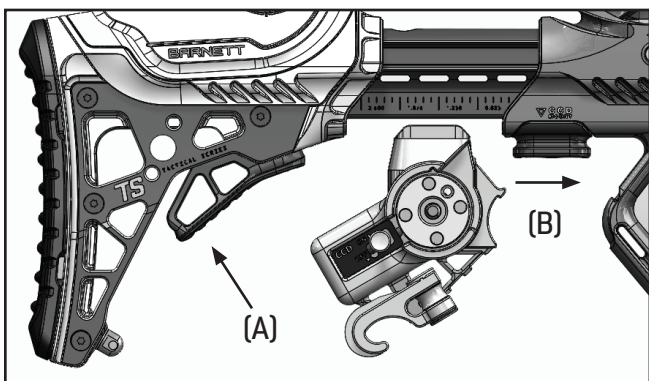
Step 2:
Remove stock brace. Note: Keep 10-24 button head cap screw and stock brace in case needed for future use.



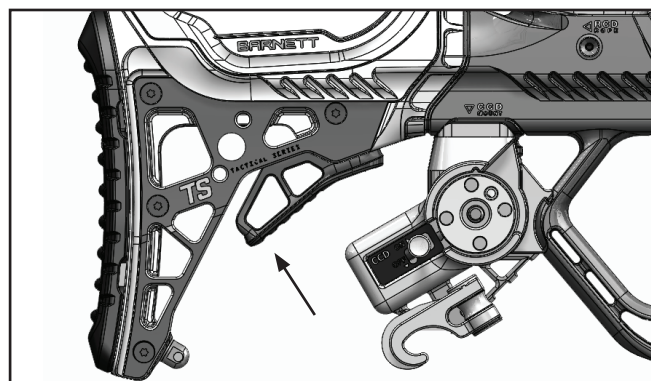
Step 3:
Insert CCD mounting brace into position and secure with the 2 supplied 10-24 socket head cap screws.



Step 4:
Locate the string hook holder and the #4-40 x 1.0" socket head cap screw. Align the string hook holder with the scope rail and slide on until snug. Push the #4-40 x 1.0" socket head cap screw through the left side of the string hook holder, as shown above, tighten until snug using the provided 3/32 allen key.

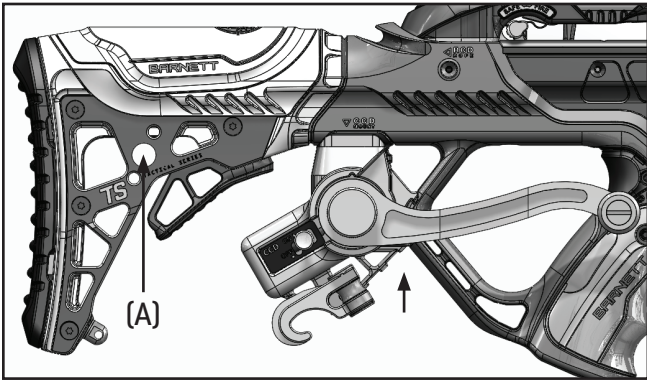


Step 5:
To install CCD housing, depress red butt stock latch and slide butt stock backwards (A). Next, slide the CCD housing onto the CCD mounting bracket (B).



Step 6:
Depress red butt stock latch and slide the butt stock back into the position best suited for your comfort.

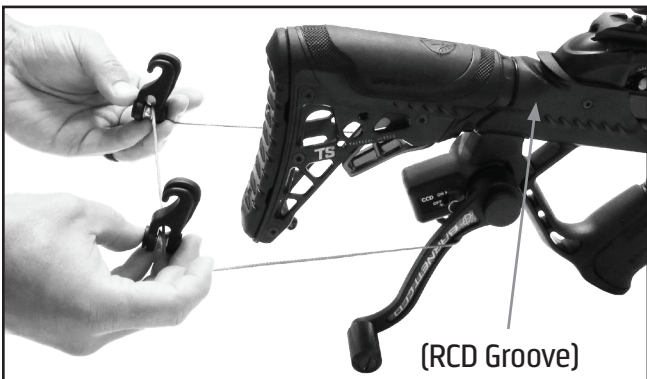
Installation Instructions (continued)



Step 7:

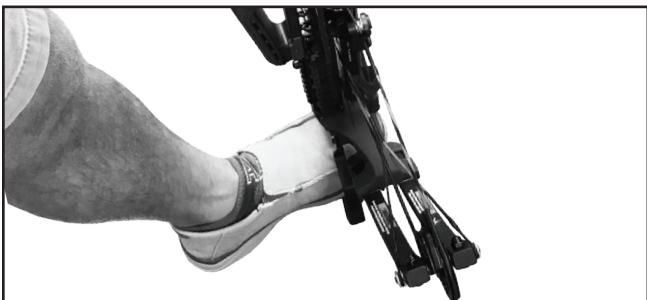
Place the CCD handle into the CCD housing. The CCD handle may be removed and stored on the butt stock plates using the threaded hole (A) or left on the crank housing after you cock the crossbow for additional comfort while shooting. Your Tactical CCD is now installed.

Operating Instructions



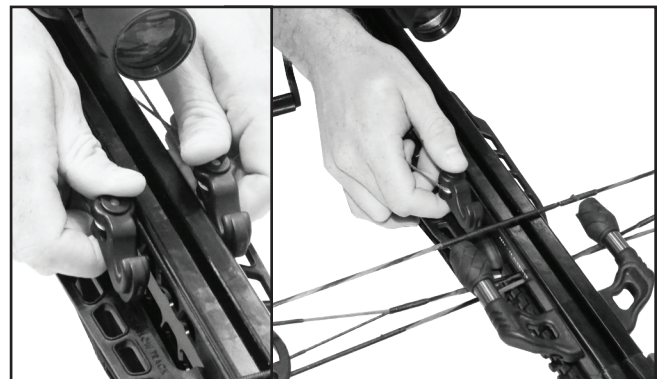
Step 1:

Move the anti-reverse latch to the "OFF" position. Pull back the CCD hooks and cord out of the CCD housing and over the rear of the butt stock. Then rest the center of the CCD cord in the RCD groove at the rear of the trigger hood.



⚠ WARNING

Always wear closed toe shoes when operating your crossbow.



Step 2:

Pull the CCD hooks down towards the crossbow string. Place the hooks facing upwards on the string, as shown above, and rotate CCD handle to pull the CCD cord snug.

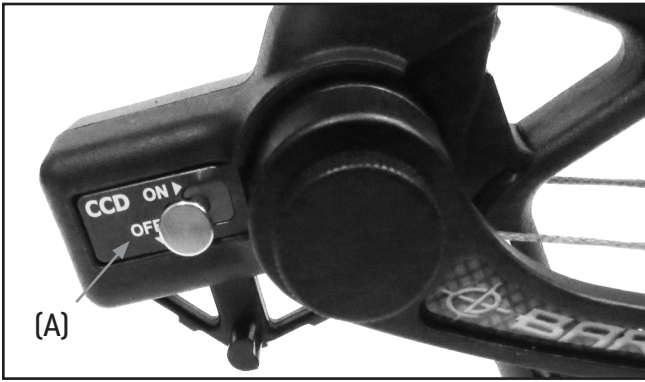
Step 3:

Place one foot into the foot stirrup to keep the crossbow stable during the cocking of the bow. Be sure to place your foot far enough into the stirrup so that it will not slip out.

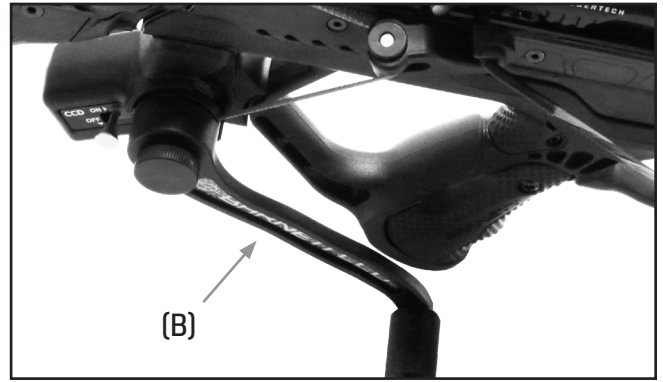
⚠ WARNING

Make sure that the anti - reverse latch (CCD Safety) is in the 'ON' position. If the safety is not engaged the handle will be allowed to auto rotate backwards if released and will cause damage to your crossbow and will cause bodily injury.

Operating Instructions (continued)



Step 4:
Engage the anti-reverse latch (A) to the 'ON' position. Use one hand to hold and steady the crossbow and the other to rotate the crank handle.



Step 5:
Rotate handle (B) until crossbow string is fully engaged into trigger mechanism. The safety of the crossbow will automatically engage. The tumbler latch of the trigger will now be holding the string.



Step 6:
Check to make sure the string is fully secured in the crossbow trigger mechanism prior to proceeding to STEP 7.



Step 7:
Once fully cocked, rotate the CCD handle to relieve the load on the CCD latch, then move the CCD catch lever to the "OFF" position with your other hand.

⚠ WARNING

Never fire your crossbow while the CCD hooks are engaged or in the path of the string or cables. This will break the CCD and or the crossbow and cause serious bodily injury.

⚠ WARNING

Never attempt to de-cock your crossbow using the CCD. The only way to de-cock your crossbow is to shoot it into a safe target. Never attempt to de-cock your crossbow by hand, with a rope cocking device or using a crank cocking device. Attempting to do so puts you at risk of personal injury and voids the crossbow warranty.



Step 8:
Detach the string hooks from the bow string and attach them to the string hook holder.

Operating Instructions (continued)



Step 9:

Re-engage the CCD latch by moving the lever from the "OFF" to the "ON" position once again.



Step 10:

Crank the CCD until the strings are taut and then remove the CCD handle. **CAUTION: DO NOT OVER TIGHTEN.** Over-tightening when cranking will cause damage to the CCD assembly.



Step 11:

Your crossbow is now ready to be loaded and fired. **IMPORTANT!** Always follow all other warnings and safety instructions in your Barnett Crossbow manual.

⚠ WARNING

NEVER fire your crossbow while the CCD hooks are engaged or in the path of the string or cables. This will break the CCD and or the crossbow and cause serious bodily injury.

⚠ WARNING

NEVER attempt to de-cock your crossbow using the CCD. The only way to de-cock your crossbow is to shoot it into a safe target. Never attempt to de-cock your crossbow by hand, with a rope cocking device or using a crank cocking device. Attempting to do so puts you at risk of personal injury and voids the crossbow warranty.

⚠ WARNING

Before disengaging the CCD catch lever, ensure you have a **FIRM** grip on the CCD handle and the bow is fully cocked to prevent injury and/or damage.