

SUPERBA

YOUR NEW SUPERBA SOFA

1. ARRIVAL AND UNPACKAGING

Your sofa has had a long journey from the SUPERBA factory to your home, we have taken every precaution to make sure it has no lasting impacts from this trip. The recyclable secure packaging we use minimises movement during transit, so your sofa may temporarily look a bit uncompressed upon unwrapping. Don't worry, this is normal and will dissipate.

Our experienced delivery team will take care of assembling legs, components and making sure your sofa fits right in with its new home.

SUPERBA

2. CARE

On occasion, use the following upkeep techniques to maintain your sofa's original appearance and fit, as well as to keep the cushions in good condition.

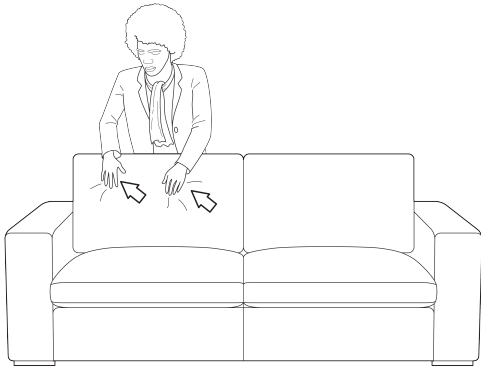


Fig. 1 Beat the backrest cushions with both hands smoothing the cushion from the inside to the outside.

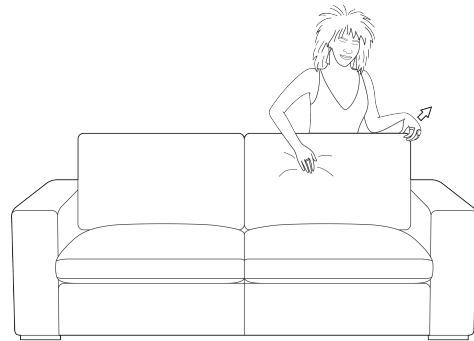


Fig. 2 Beat the backrest cushions with one hand on the front side while holding it steady with the other hand on the backside.

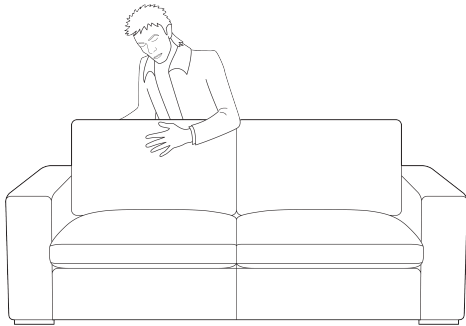


Fig. 3 Gently pull the sides/corners of the backrest cushions outwards with one hand while beating the cushions with the other hand.

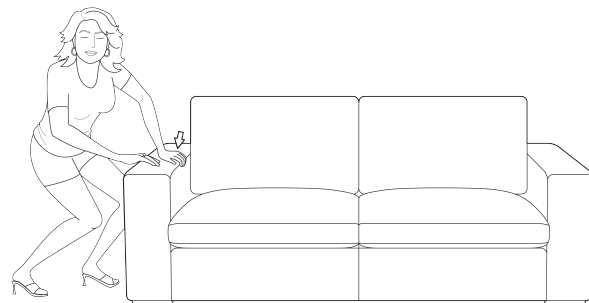
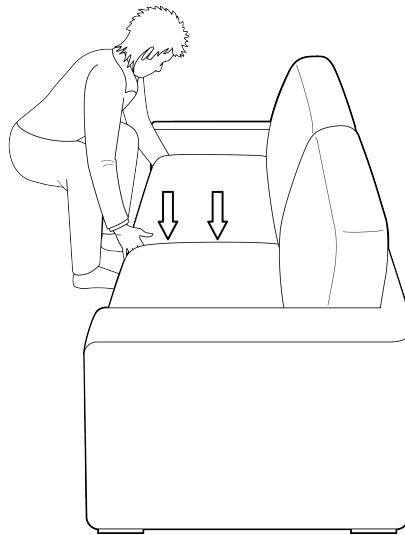
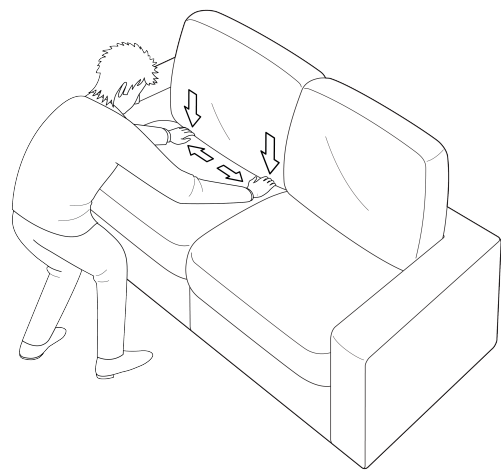
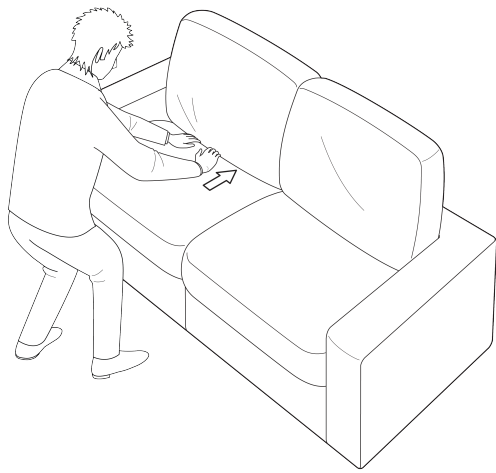


Fig. 4 After the backrest cushions, move on to the armrests. Beat them evenly, starting from the inside (close to the backrest) and moving outward away from the sofa.

Don't be afraid to use some strength when plumping the cushions, to ensure your sofa retains that brand new look for longer.

SUPERBA

After extended use, stretch the seat covering as shown in the images below. Avoid the concentration of folds at the centre of the seats by smoothing the covering outward and sideways, towards the edges of the seat cushion. A little care and attention will maximise the look and feel of your new sofa.



SUPERBA

A BIT ABOUT YOUR SOFA

1. THE FRAME

Our wooden sofa frames are guaranteed to withstand the various stresses to which they are subjected daily during their working lives. All our wood is FSC certified, meaning it does not originate from virgin forests, natural parks, or any other protected areas. It is tested repeatedly during the production cycle and in the Superba laboratory to measure performance over time and across various climatic conditions, and complies with the most demanding international standards regarding chemicals and additives.

Each frame is designed and engineered by our technicians using sophisticated electronic techniques, and is cut with numerical control machines. All new models are subject to further lab testing in compliance with the major international standards before being manufactured.

Superba proudly offers a lifetime frame guarantee, so you shouldn't have to worry about faulty construction or abnormally quick wear & tear from standard usage. Nevertheless here are some tips to ensure your sofa remains in ideal condition:

- *Avoid jumping on the sofa and/or violently throwing yourself into a sitting or lying position.*
- *Do not sit on the arms and/or the backing frame of the sofa. This is especially important for models with thin arms.*
- *Do not drag the sofa over rough surfaces such as carpet, stone, etc. If and when moving the sofa, make sure to lift it rather than push it along the floor.*
- *Do not pull the sofa by the arm to avoid breaking the stitching.*

2. THE FILLINGS

We use four types of padding, depending on the shape and the style of each model:

Goose Feathers, Pocket springs, Polyurethane, Polyester Fibre Down or a mix of these.

SUPERBA

- **Goose feathers** - Natural goose feather padding is well known for its outstanding quality and high degree of softness. Our feathers undergo a strict selection and sterilisation process. All Superba's feathers are sourced through the RDS (Responsible Down Standard).
- **Pocket springs** - The seat is made using a combination of eco-friendly polyurethane foam of varying density and coil springs. This provides the right support while guaranteeing that your sofa keeps its shape for as long as possible.
- **Polyester fibre down** - These ultra thin polyester filaments are constructed very specifically to provide maximum softness. This material is most often used to pad the seating, back, and armrests, producing a level of comfort that is especially soft and gentle at points that come into contact with the more delicate parts of the body.
- **Polyurethane** - Our technicians use the most applicable type of polyurethane padding for each model, taking into account density, hardness, durability, breathability, and any other relevant characteristics. Our polyurethane padding meets all environmental requirements, is built to last, and is tested to ensure it retains its comfort level over time.

USE AND MAINTENANCE

The padding material does not require any specific type of maintenance beyond standard care for the sofa. For fibre and down padded sofas in particular, we recommend that they be plumped and modelled delicately according to our instructions after every significant usage, as well as upon their arrival and unwrapping. Doing this regularly will help the sofa retain its shape and durability.

SETTLING-IN PERIOD

- During the first 3 months of life polyurethane foam tends to become softer as it gets worn-in, before settling at the desired density and feel. This process is absolutely natural. Initial pressure on the foam padding breaks down the micro-cells that compose it, resulting in the intended texture. This breakdown and softening process will achieve the correct consistency after some use.

SUPERBA

- *As such, if you notice slightly different levels of softness or feel in adjoining seats, backs, pouffes, etc., remember this is normal and should dissipate after roughly 3 months of regular use, once all cushions are worn-in.*
- *Light creases may form on the covering as the padding settles. These creases are totally normal and may vary during the settling period of the padding in its initial 3 months of normal use.*

3. THE LEATHER

All our leathers are 100 % sourced in Italy. Superba is committed to achieving a full LWG Leather Manufacturer Standard compliant supply chain by the end of 2024. Some of our leathers include:

ANILINE LEATHER

Our full grain aniline leather is selected exclusively from top-quality Italian hides and is known for its unparalleled silky, supple texture. The hides are processed without altering original characteristics, highlighting the authenticity and high calibre of the leather they produce. Considered the leather of choice by aficionados, aniline leather retains many of the hides' features: scars, pores, veins, colour & grain variation, and other traits that make each piece lively and unique. Furthermore, this leather tends to age beautifully, developing an impressive natural patina over time. Given that full grain aniline is so gently processed, it can be somewhat elastic and vulnerable to damage and staining, so it is not recommended in homes with young children or large pets.

SEMI-ANILINE LEATHER

Semi-aniline leather strikes a balance between the natural look of aniline leather and the protective features of pigmented leather. It undergoes a light surface coating that contains a small amount of pigment, which ensures durability while preserving the leather's natural appearance. Like aniline, our semi-aniline leather comes from the best Italian hides, and still retains some of the original character. Some things like wrinkles, bites, veins, and more may still appear in the leather, while the sofa is better protected from the elements, dirt, spills, etc. Semi-aniline can be made in full grain, natural, or with an added light shine to improve look and evenness. It is the perfect choice for anyone wanting to combine the natural beauty of leather with easier cleaning/maintenance and resistance to wear and colour fading.

SUPERBA

PULL-UP LEATHER

Pull-up leather, also known as waxed or oiled leather, is made from hides treated with oils and waxes to gain depth, richness, and a unique texture. It is available in matte, semi-matte, or glossy finishes. When the leather is stretched, the oils and waxes spread, intensifying its lighter appearance and giving it a distinct aged look – a hallmark of pull-up leather. The final appearance varies with use. This leather often displays uneven colouring and retains some natural marks from the animal such as streaks and veins, typical of high-quality leather.

The following are a few examples of typical leather features that are not to be considered defects but rather the distinctive characteristics of a high-quality, natural material:

- 1 - Scar
- 2 - Difference in tone
- 3 - Grain difference
- 4 - Striping
- 5 - Wrinkle
- 6 - Vein



Example of leather and its characteristics

SUPERBA

CLEANING THE LEATHER

- *Periodically dust using a clean, dry, and non-abrasive white cloth.*
- *For dry dirt: brush delicately using soft bristles or use a vacuum cleaner at the medium suction power setting, using the correct attachment supplied with the cleaner. Take care to avoid rubbing the vacuum accessory directly on the leather.*
- *For stains caused by substances soluble in water (soft drinks, coffee, tea, milk, jam): rapidly remove the liquid from the surface using a white, non-abrasive cloth (or absorbent paper). Then dab delicately, working from the outside of the stain towards the centre, using a clean cloth soaked in water. Do not soak the leather surface, and dry immediately using a dry cloth. Do not dry the leather in direct sunlight or with a hair dryer.*
- *For stains caused by greasy substances (oil, ketchup, mayonnaise, chocolate): remove the substance delicately from the surface using absorbent paper, taking care to not exert too much pressure – this prevents the substance from entering the pores of the leather. Use a clean cloth, soaked in a very dilute solution of neutral soap, rubbing delicately from the outside towards the centre of the stain. Dry immediately with a clean cloth. Only use water and colourless, mild soap.*

HOW TO SAFELY POSITION YOUR LEATHER SOFA

- *Position the sofa at least 50 cm. from sources of heat such as heaters or radiators.*
- *Avoid exposing the sofa to direct sunlight or to powerful lamps, to ensure the colour of the covering remains bright.*
- *Placing the sofa too close to strong heat or excessive light, as well as the use of unapproved detergent substances may irreparably damage the leather covering, causing cracks and unwanted changes in colour.*

NATURAL HIDE VARIATION

If you purchase a new sofa that is an identical article and/or is of the same colour as a sofa that you already own, it is possible that you may note slight differences in shades of colour between the two, due to the unique personality of each hide.

SUPERBA

4. THE FABRIC

Our fabrics represent the ideal synthesis of style and quality, combining incredible softness with durability and practicality.

All articles undergo rigorous quality checks, including the Martindale test, which measures their resistance to wear.

There are 2 types of washing processes for our fabrics: **dry cleaning** and **wet cleaning**.

- **Dry cleaning** is an operation which entails cleaning the covering material using organic solvents. This process includes cleaning, rinsing, and drying. Dry cleaning is ideal and recommended if you purchased a **SUPERBA Slipcover sofa**.
- **Wet cleaning** involves cleaning the fabric covering in water. This process includes soaking, cleaning, rinsing, and drying. It is essential to iron the covering by following the ironing instructions shown on the label. When the covering is washed in water, it is necessary to pay attention to the maximum washing temperature indicated on the sofa's label.

FABRIC MAINTENANCE

How to deal with liqueurs, soft drinks, wine, coffee, tea, beer, oil, etc. on a fixed cover sofa: dab with absorbent paper or a white, nonabrasive cloth and then remove the stain. If the stain persists, clean using a dry stain remover, available at any supermarket.

5. SWIVEL CHAIRS

Some important notes on our Swivel Chairs collection:

- Do not use solvents to clean the metal parts of the mechanism. A damp cloth is sufficient.
- Do not allow children to play with the mechanism.
- The mechanism must only be used when the person is correctly seated.

SUPERBA

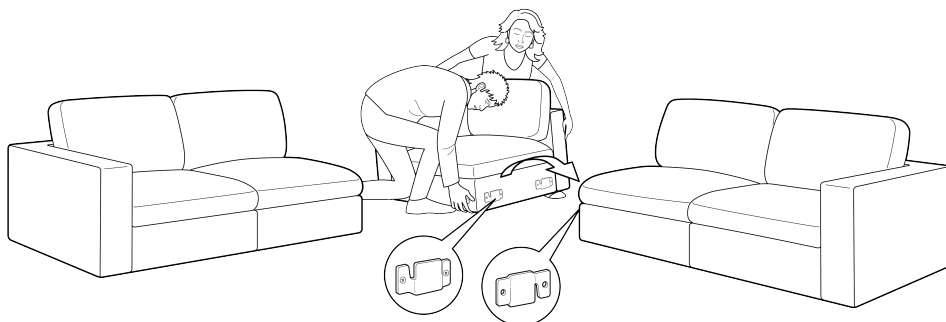
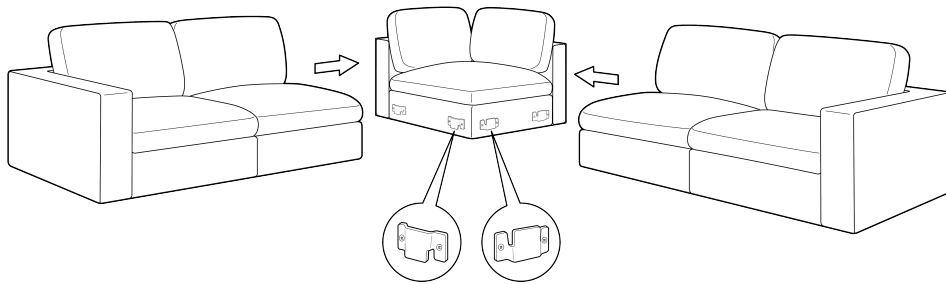
6. SECTIONAL MODELS

INSTRUCTIONS FOR UNIVERSAL TAB ASSEMBLY

The connecting system consists of a single metal component for the left and right versions, mounted on the modular side.

ASSEMBLY

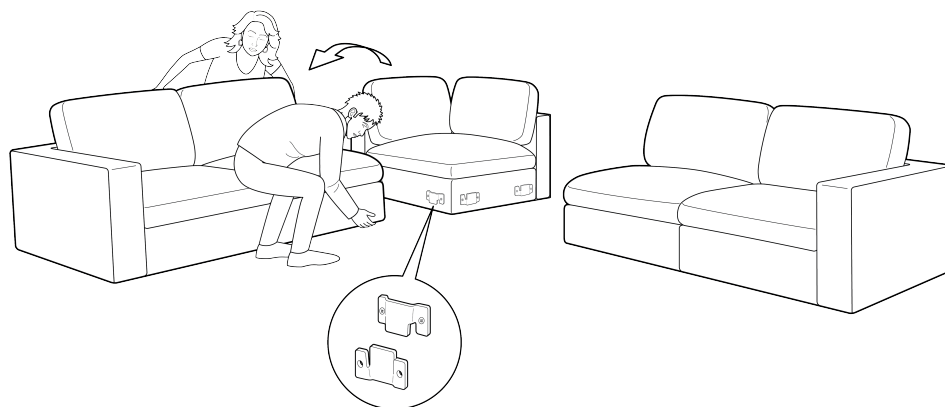
Line up the components and fit the connecting tab lifting the left piece onto the right piece.



SUPERBA

DISASSEMBLY

Lift and move the left component until it's completely detached.



WARNING

- *Do not lift and move the sofa while it is still connected.*
- *Do not lift the right-side component to avoid detaching the connecting lever.*
- *The levers may be fitted in a different way depending on the model. In this case, follow the instructions detailed in the illustrating leaflet attached to the sofa.*

7. THE FEET

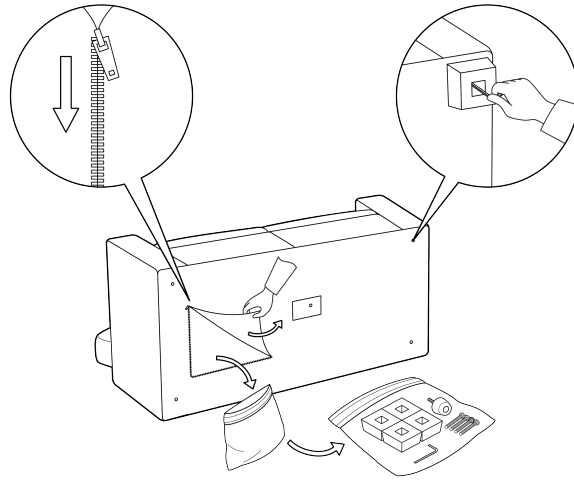
Each model's feet are accurately designed and produced using specific materials to match the sofa's aesthetic, and provide the necessary weight support.

The SUPERBA delivery team will unpack the sofa and assemble the feet as per our standard service, but if you wish to unpack the sofa at a different time from its delivery, please follow the instructions below:

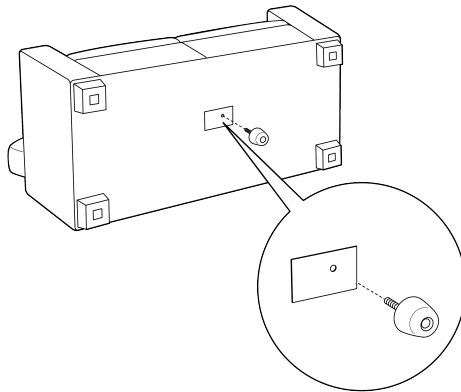
- *While attaching the feet, avoid removing the sofa packing using pointed or sharp objects that may damage the covering.*
- *Spread the plastic wrap sheet on the floor, lower the sofa so that the back rests against the floor before proceeding*
- *The feet are concealed in a zip pocket located within the sofa's dust cover. Open the zipper that contains an envelope with the feet inside.*

SUPERBA

Tighten the feet firmly to the sofa frame.



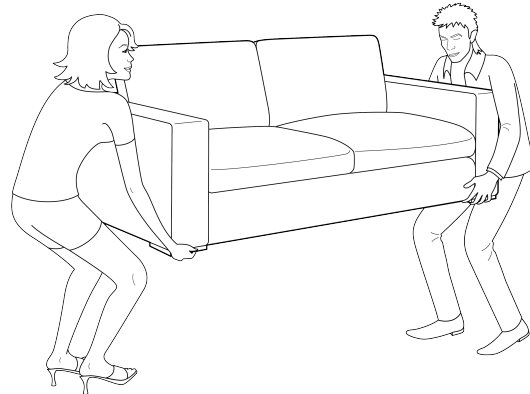
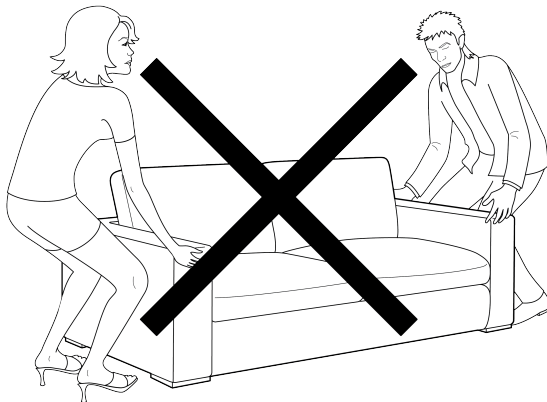
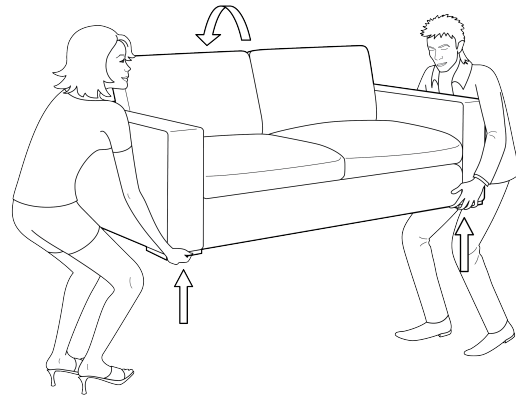
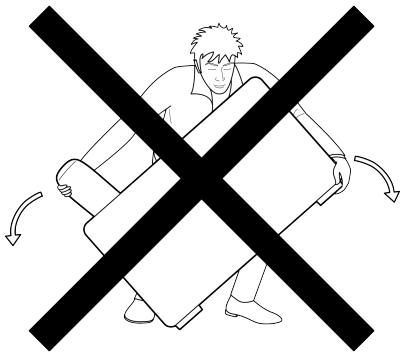
Mount the central feet, if provided. Failure to mount these feet could compromise the resistance of the wooden structure.



SUPERBA

The sofa must be lifted and turned to return it to an upright position. Avoid using the feet as a lever to prevent breaking them.

Avoid moving the sofa by dragging or lifting by the armrests: the correct way to move the sofa is by lifting it from the base.



For any questions, uncertainties, or concerns you might have about your sofa, the Superba team is always on hand to discuss and resolve them for you. If you have any issues or if you've simply changed your mind about your sofa, please contact us within 30 days to arrange pick-up or replacement. SUPERBA will be happy to help. Please email hello@superbaliving.com for any customer support needs.