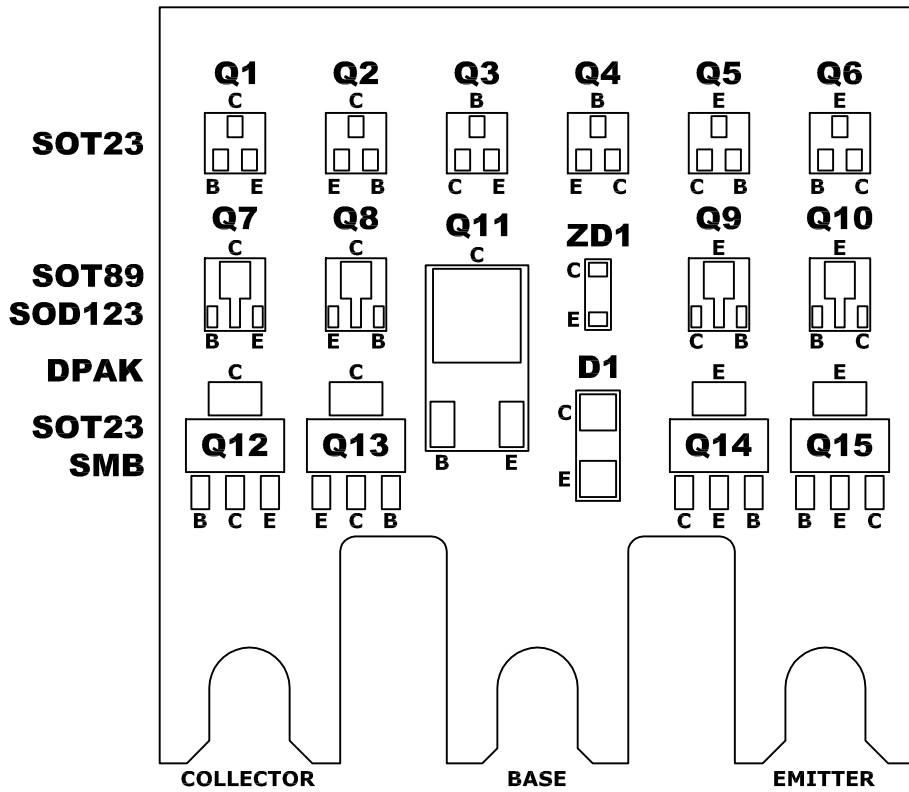


SKU:#CTL011 (502-011 issue 1) BIPOLAR pin out



FET pin out

