



AWOL Ambient Light Rejection Daylight Screen Instruction Manual



CONTENTS

KNOWING YOUR SCREEN	01
ASSEMBLING YOUR SCREEN	05
Specification	17
Maintenance	19

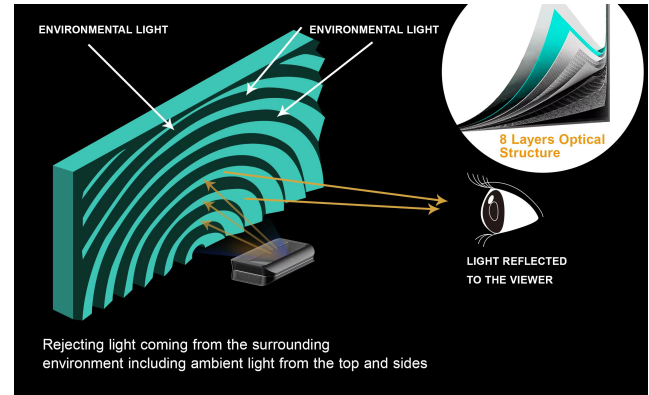
Thanks for choosing the AWOL Vision 100 inch rollable Fresnel fixed frame Ambient Light Rejection daylight screen ALR-D100. Please read this manual carefully before installation and use.



KNOWING YOUR SCREEN

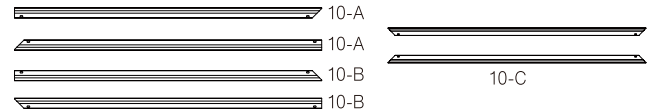
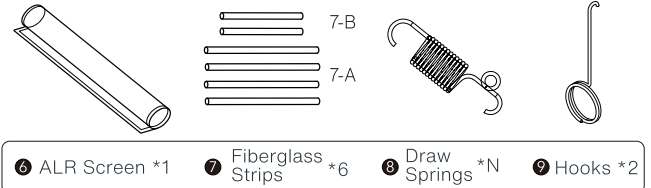
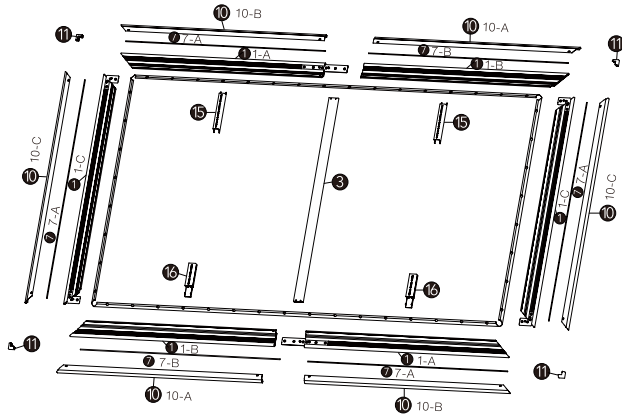


1.1 How it works

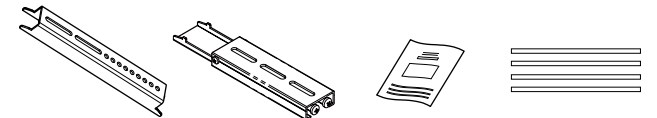
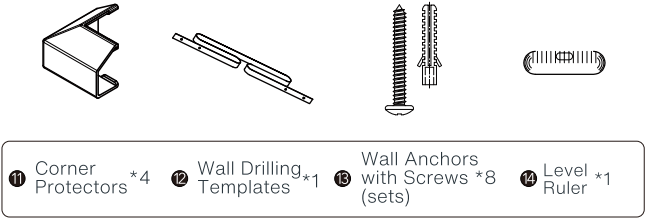
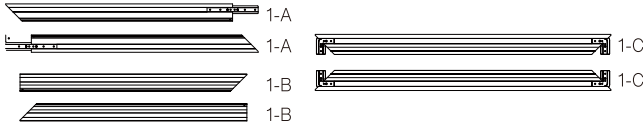


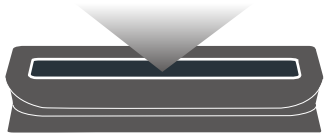
AWOL ALR rollable Fresnel daylight screen is equipped with 8 Layers optical structure to offer 4K&8K Ultra HD resolution, 3D capable, 1.1dB peak gain, 85% rejection ratio, neutral color temperature, and enhanced picture contrast in a theater, grade image. The main Fresnel prism layer uses the concave structure divided into semicircles, and the screen is full of semi, circular lines from large to small that is only receptive to the projection light from below the center of the circle while rejecting light coming from the surrounding environment including ambient light from the top and sides which supports to be used in living room daylight environment.

1.2 Exploded Overview



1.3 Package Contents



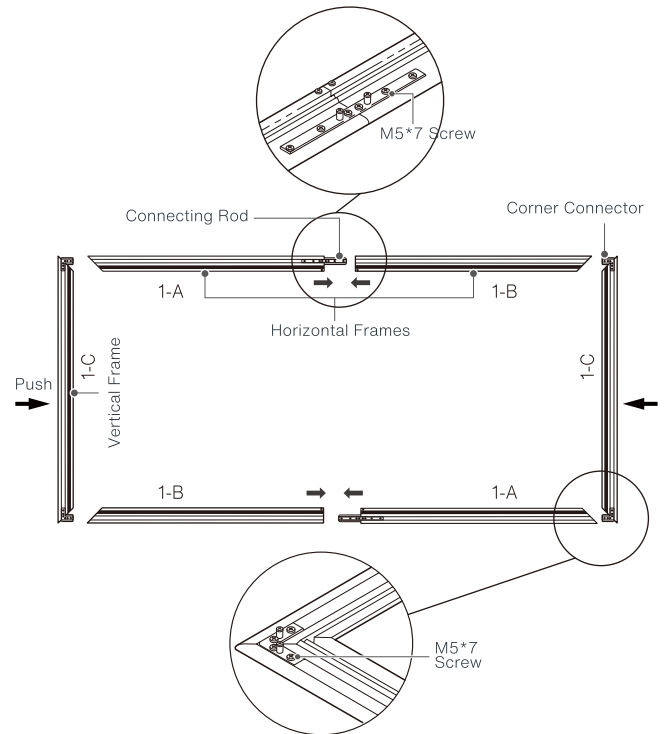


ASSEMBLING YOUR SCREEN

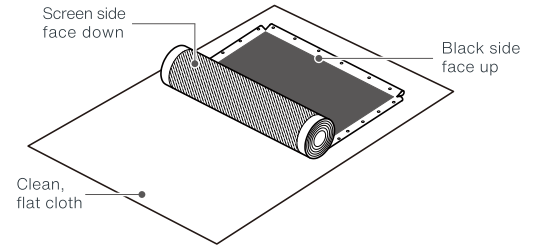
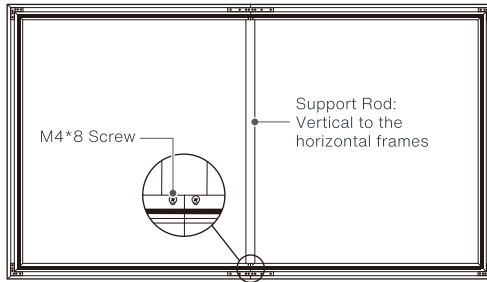
2

2.1 Assemble the Inner Frames

1. Connect the horizontal frames and fasten the M5*7 screws.
2. Insert the four corner connectors into the horizontal inner frames, and attach the corners with M5*7 screws as shown below.



3. Install the support rod as shown below.



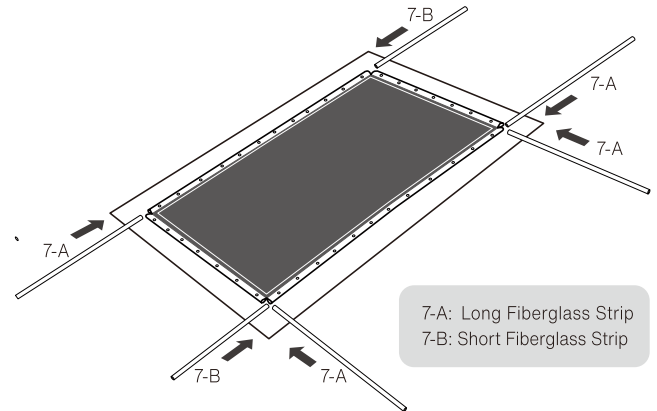
2.2 Assemble the Screen

1. Put on gloves and place a clean cloth (or use the packaging material for the screen) on a flat, clean and level surface.



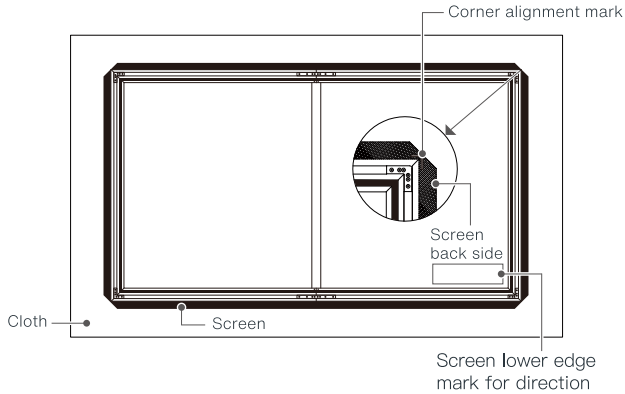
2. Unroll the screen, place it face down on the cloth, then insert the fiberglass strips into the screen sides.

Caution: Handle with care. Avoid any creases on the screen.

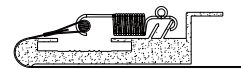
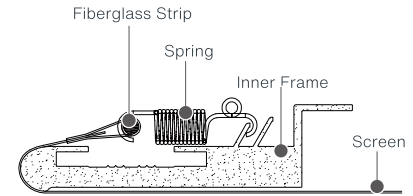
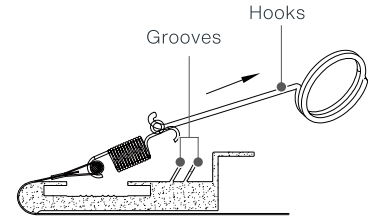
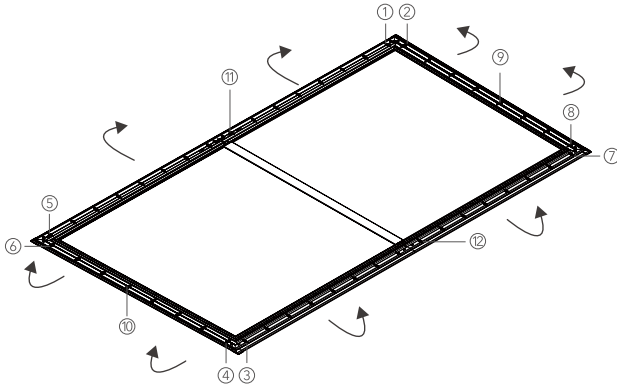


3. Put the assembled frames on the back side of the screen.

Note: AWOL ALR cinematic screen is directional and needs to be matched with the frames.



4. Fix the screen onto the frame with all the springs in order as indicated below (corners, short sides, then long sides).



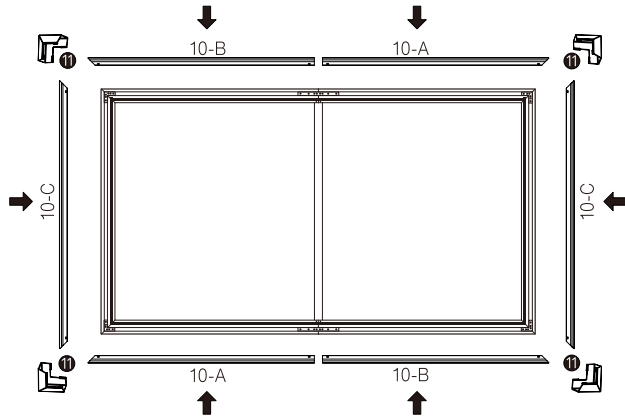
Note:

After extended use, the screen may become less taut. Attach the springs to the innermost groove to re-flatten it.

5. Hold the screen upright and ensure that it is taut and flat. Adjust the springs until no creases observed.

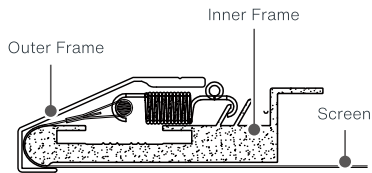
2.3 Assemble the Outer Frames

1. Place the outer frames against the inner frames, align the four corners and attach with the included M4*8 screws.
2. Attach the plastic corner protectors onto the four corners.



10-A/10-B: Horizontal Outer Frame 10-C: Vertical Outer Frame

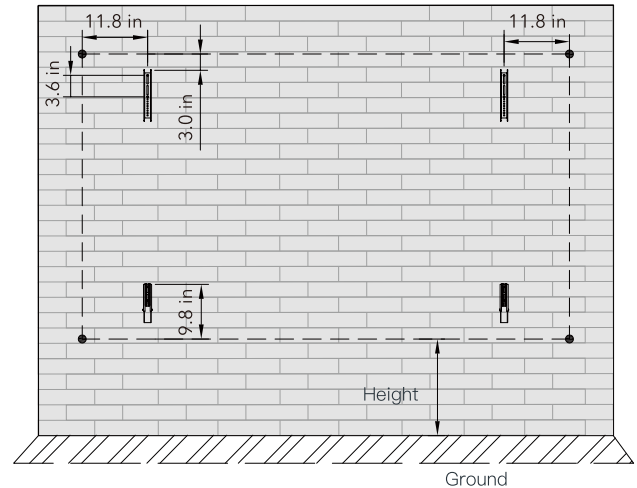
① : Corner Protector



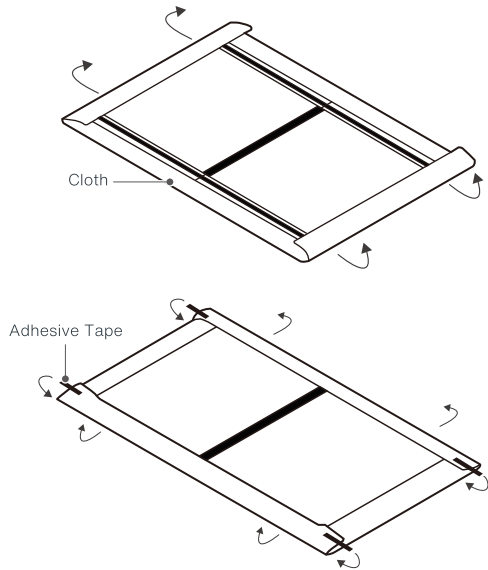
2.4 Mount on the Wall

1. Estimate the wall mount area for the screen. The height between the ground and the lower edge of the screen should be confirmed by your preferred UST projector throw distance using the throw distance chart. (As shown below).
2. Measure the distance between the spots where the wall brackets will be mounted with the included level ruler.

Recommended Distance

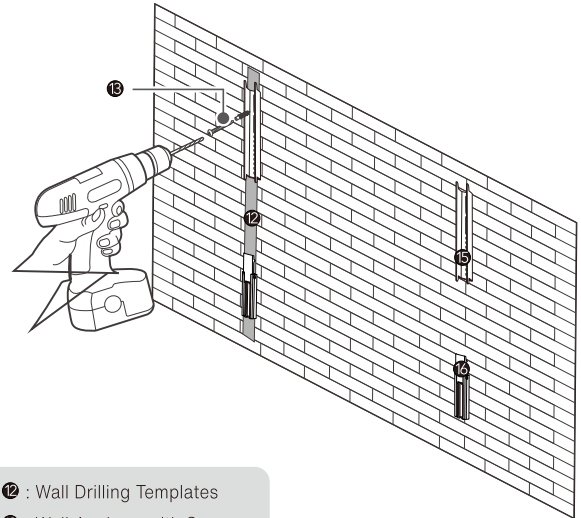


3. Make sure the screen is correctly assembled, then wrap the screen front with the cloth to prevent it from being damaged or scratched.



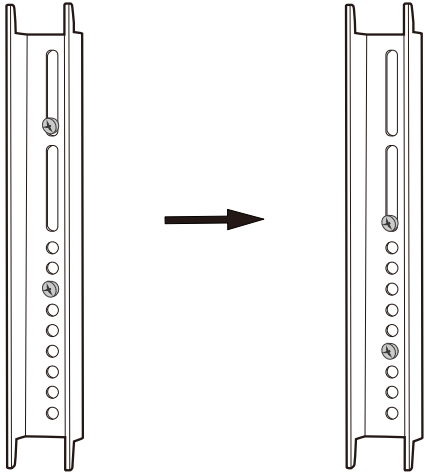
4. Drill holes respectively and install the four wall brackets using the wall anchors with screws.

Note: Make sure the brackets are level with the level ruler.



- 12 : Wall Drilling Templates
- 13 : Wall Anchors with Screws
- 15 : Upper Wall Brackets
- 16 : Lower Wall Brackets

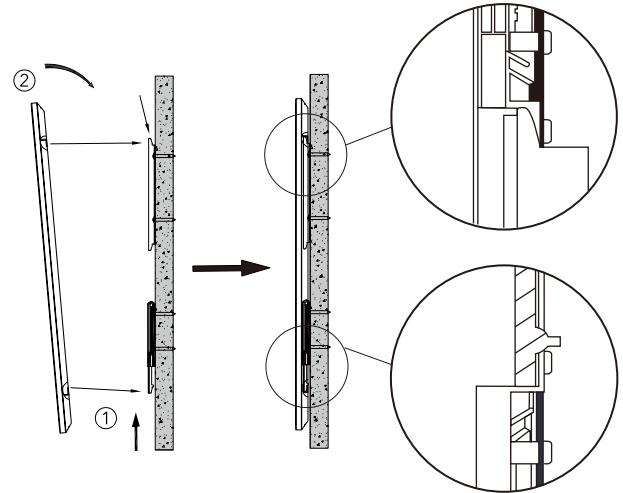
5. Screen height adjustment

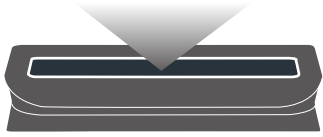


You can fine-tune the installation height of the screen without drilling new holes based on the screw holes in the upper wall bracket and the lower wall bracket spring range. (Adjustable height range: 0–2.0 inches)

6. Mount the screen onto the wall as shown below.

- 1) Insert the lower side of the screen into the lower wall bracket, then push upwards to compress the lower wall bracket spring.
- 2) Insert the upper side of the screen into the upper wall bracket, then release.



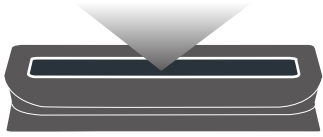


Specification

3

3.1 Specification

AWOL Vision ALR Daylight Screen Specification	
	ALR-D100
Size	100 inch
Material	Fresnel PET
Roll-able	Yes, on-site assembled
On-axis Peak Gain	1.1 dB
Resolution	up to 8K
Ambient Light Resistance	85%
Viewing Angle°	90°
Contrast vs Matte White (lights-on environment)	75 times
Frame Material	Aluminum Alloy
Projection Ratio	16:9
Projector Lens Throw Ratio	UST
Adjustable Mounting Height	Yes, up to 2 inches
Screen Size	88*49.8*1.0 inch 2234*1265*25 mm
Screen Weight	35.3 lbs/ 16 kg
Package Size	65.7*10.8*7.1 inch 1670*275*180 mm
Package Weight	40.6 lbs / 18.4 kg
Operating Temperature	14° - 122° F -10 - 50°C



Maintenance & Precautionary Notes

4

4.1 Maintenance & Precautionary Notes

Dust, dirt and scratches on the projection screen surface will affect the quality and performance of the projection image. For optimal results we advise to pay attention to the following instructions.

1. Please clean the dust on the screen surface with a soft brush or microfiber cloth (rough towel or cloth may damage the screen's surface).
2. Gently wipe the screen with a moistened microfiber cloth with mild soap diluted in water.

The following precautions should be followed at all times to avoid damaging the material, which is not covered under warranty.

1. Don't touch the screen material to avoid leaving fingerprints. Use gloves when handling the material.
2. Don't scratch the material, as it will leave permanent markings on the screen's surface.
3. Don't point to the screen material with a fingertip or other sharp objects to prevent damage to the material.
4. Don't use acetone, benzene, alcohol and any other organic solvents to clean the screen material. Using such chemicals will permanently damage the screen.



AWOL

VISION

www.awolvision.de
support.eu@awolvision.com