

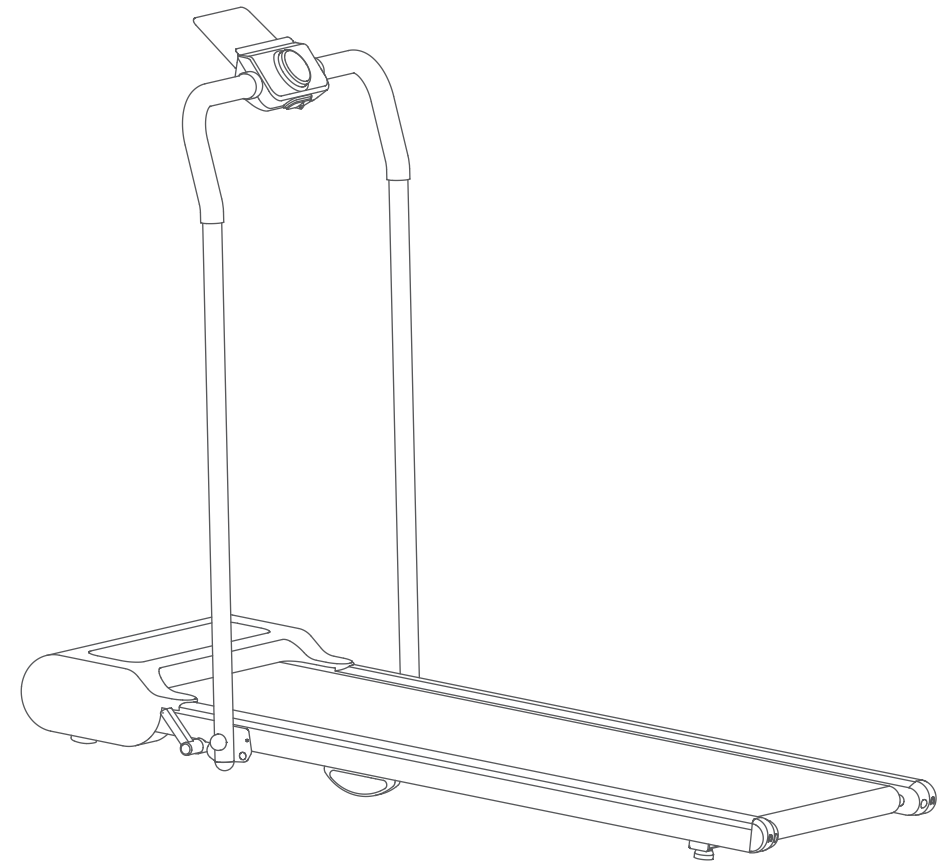
US

Model.URTM023

Strol 1E 2-in-1

Under desk Treadmill

USER MANUAL



IMPORTANT: Read all instructions carefully before using this product. Retain this owner's manual for future reference. The specifications of this product may vary from this photo, subject to change without notice.

Manufacturer: Shenzhen Yile Dynamic Technology Co., LTD.

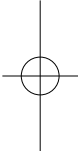
Address: 1205-1206, Tianliao Building, Tangchang Road, Tanglang Community, Taoyuan Street, Nanshan District, Shenzhen, China

Version: 1.0





TABLE OF CONTENTS

- 02 CUSTOMER SERVICE
 - 03 IMPORTANT SAFETY INSTRUCTIONS
 - 05 PRODUCT & ACCESSORIES
 - 06 SPECIFICATION
 - 07 PRODUCT INTRODUCTION
 - 08 HOW TO USE
 - 11 OPERATION
 - 13 CARE & MAINTENANCE
 - 15 ERROR CODE
 - 16 TROUBLESHOOTING
 - 17 WARRANTY
- 

1 CUSTOMER SERVICE

IMPORTANT: FOR UREVO ONLY

For damaged or defective product, questions, replacement parts or any other service support, please contact our customer service department by the below methods:

services@urevosports.com

Response Time: 24-48 hours

Emailing us with the **Order ID** will be the best method to receive a response during peak business hours.

Website: www.urevosports.com

US Support Hotline: (1)844-998-2473

Hours of Operation: Monday – Friday : 9 AM – 12 PM ; 1 PM – 6 PM (PST)

PLEASE DO NOT RETURN THIS PRODUCT WITHOUT ASKING OUR CUSTOMER SERVICE FIRST.

SCAN THIS QR CORD TO GET THE PRODUCT INSTALLATION OR MAINTENCE VIDEOS



2 IMPORTANT SAFETY INSTRUCTIONS

DANGER - To reduce the risk of electric shock:

1. Always unplug this treadmill from the electrical outlet immediately after using and before cleaning.

WARNING - To reduce the risk of burns, fire, electric shock, or injury to persons:

1. An treadmill should never be left unattended plugged in. Unplug from outlet when not in use, and before putting on or taking off parts.
2. Do not operate under blanket or pillow. Excessive heating can occur and cause fire, electric shock, or injury to persons.
3. Close supervision is necessary when this treadmill is used by, on, or near children, invalids, or disabled persons.
4. Use this treadmill only for its intended use as described in this manual. Do not use attachments not recommended by the manufacturer.
5. Never operate this treadmill if it has a damaged cord or plug, if it is not working properly, if it has been dropped or damaged, or dropped into water. Return the treadmill to a service center for examination and repair.
6. Do not carry this treadmill by supply cord or use cord as a handle.
7. Keep the cord away from heated surfaces.
8. Never operate the treadmill with the air openings blocked. Keep the air openings free of lint, hair, and the like.
9. Never drop or insert any object into any opening.
10. Do not use outdoors.
11. Do not operate where aerosol (spray) products are being used or where oxygen is being administered.

12. Caution - To reduce the risk of injury from moving parts - Unplug before servicing.

13. Warning - To reduce the risk of Electric shock - Unplug before cleaning or servicing.

14. Warning - Risk of personal injury - Keep children under the age of 13 away from machine.

15. To disconnect, turn all controls to the position, then remove plug form outlet.

16. Connect this treadmill to a properly outlet only. See grounding instructions.

17. This treadmill is not intended for use by persons with reduces physical, sensory or mental capabilities, or lack of experience and knowledge, unless they have been given supervision or instruction concerning use of the treadmill by a person responsible for their safety. Keep children under the age of 13 away from this machine.

18. The maximum weight capacity for this product is 265lbs/120kg. DO NOT EXCEED MAXIMUM WEIGHT CAPACITY.

SAVE THESE INSTRUCTIONS

GROUNDING INSTRUCTIONS:

This product must be grounded. If it should malfunction or breakdown, grounding provides a path of least resistance for electric current to reduce the risk of electric and a grounding plug. The plug must be plugged into an appropriate outlet that is properly installed and grounded in accordance with all local codes and ordinances.

DANGER - Improper connection of the equipment-grounding conductor can

result in a risk of electric shock. Check with a qualified electrician or serviceman if you are in doubt as to whether the product is properly grounded. Do not modify the plug provided with the product - if it will not fit the outlet, have a proper outlet installed by a qualified electrician.

FCC STATEMENT :

This device complies with part 15 of the FCC rules.

Operation is subject to the following two conditions:

- (1) This device may not cause harmful interference, and
- (2) This device must accept any interference received, including interference that may cause undesired operation.
- (3) This device has been evaluated to meet general RF exposure requirement. The device can be used in portable exposure condition without restriction.

Note: This equipment has been tested and found to comply with the limits for a Class B digital device, pursuant to part 15 of the FCC Rules. These limits are designed to provide reasonable protection against harmful interference in a residential installation. This equipment generates, uses and can radiate radio frequency energy and, if not installed and used in accordance with the instructions, may cause harmful interference to radio communications. However, there is no guarantee that interference will not occur in a particular installation. If this equipment does cause harmful interference to radio or television reception, which can be determined by turning the equipment off and on, the user is encouraged to try to correct the interference by one or more of the following measures:

- Reorient or relocate the receiving antenna.
- Increase the separation between the equipment and receiver.
- Connect the equipment into an outlet on a circuit different from that to which the receiver is connected.

- Consult the dealer or an experienced radio/TV technician for help.

This device complies with RSS210 of Industry Canada. Cet appareil se conforme à RSS210 de Canada d'Industrie. This device complies with Industry Canada license-exempt RSS standard(s). Operation is subject to the following two conditions: (1) this device may not cause interference, and (2) this device must accept any interference, including interference that may cause undesired operation of the device. appareils radio exempts de licence. Son fonctionnement est sujet aux deux conditions suivantes:

(1) Le dispositif ne doit pas produire de brouillage préjudiciable, et (2) le dispositif doit accepter tout brouillage reçu, y compris un brouillage susceptible de provoquer un fonctionnement indésirable.

Radiation Exposure Statement: The product comply with the Canada portable RF exposure limit set forth for an uncontrolled environment and are safe for intended operation as described in this manual.

The further RF exposure reduction can be achieved if the product can be kept as far as possible from the user body or set the device to lower output power if such function is available.

Déclaration d'exposition aux radiations : Le produit est conforme aux limites d'exposition pour les appareils portables RF pour les États-Unis et le Canada établies pour un environnement non contrôlé.

Le produit est sûr pour un fonctionnement tel que décrit dans ce manuel. La réduction aux expositions RF peut être augmentée si l'appareil peut être conservé aussi loin que possible du corps de l'utilisateur ou que le dispositif est réglé sur la puissance de sortie la plus faible si une telle fonction est disponible.

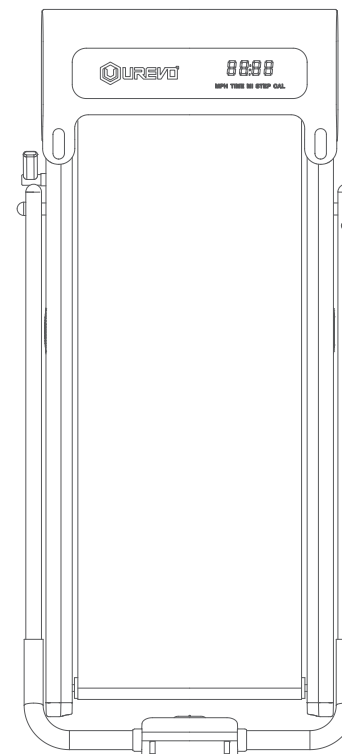
This Class B digital apparatus complies with Canadian ICES-003.

Cet appareil numérique de la classe B est conforme à la norme NMB-003 du Canada.

3 PRODUCT & ACCESSORIES

Please carefully check whether the contents of the package are complete and intact. If there is any missing and damage, please contact the seller.

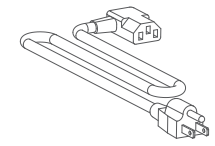
Accessories



Treadmill × 1



Remote Control x 1



Power Cord x 1



Hex tool × 1



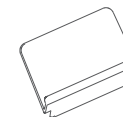
Safety Key x 1



Lubricating Oil x 2



Battery Cell x 1



Tablet Mount x 1

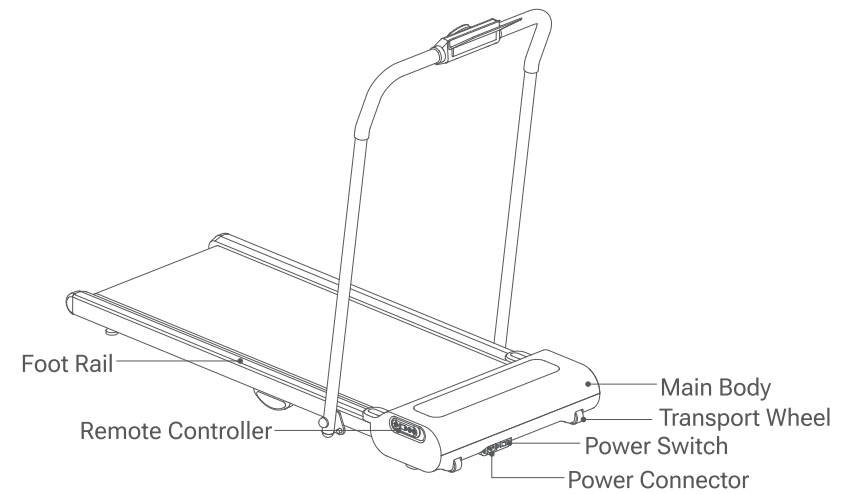
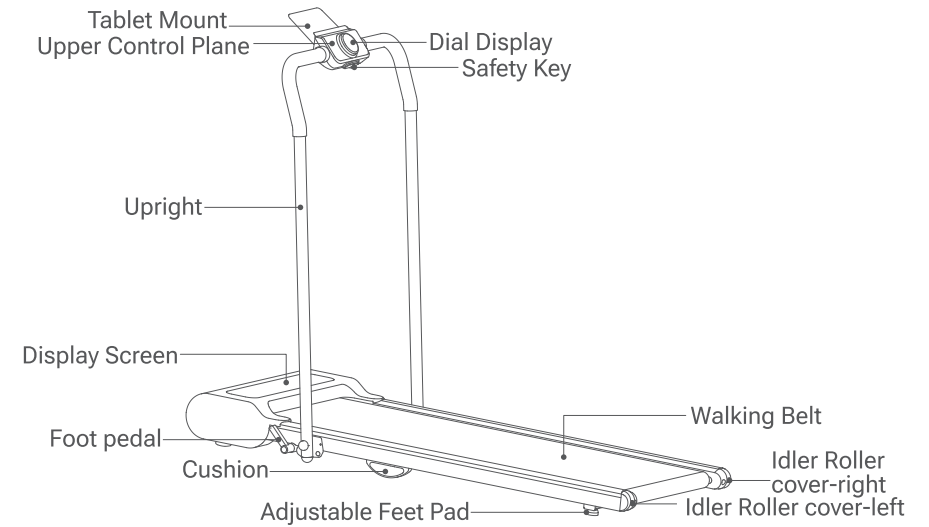


User Manual x 1

4 SPECIFICATION

Product configuration	Detailed parameters	Product configuration	Detailed parameters
Product dimension (Folded)	135 x 62 x 12.5 cm	Product dimension (Unfolded)	127 x 62 x 108 cm
	53.2 x 24.4 x 5.0 inch		50.2 x 24.4 x 42.5 inch
Running area	40 x 105 cm	Maximum speed	7.6 mph
	15.7 x 41.3 inch		
Gross weight	29.5 KG	Minimum speed	0.6 mph
	65 Lbs		
Net weight	24.8 KG	Rate voltage	110 - 120V ~
	54.7 Lbs		
Maximum load	120 KG	Peak housepower	2.5 Hp
	265 Lbs	Suggested age	14-60 years old

5 PRODUCT INTRODUCTION

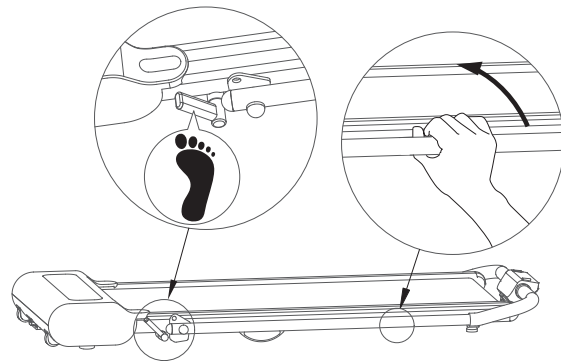


6 HOW TO USE

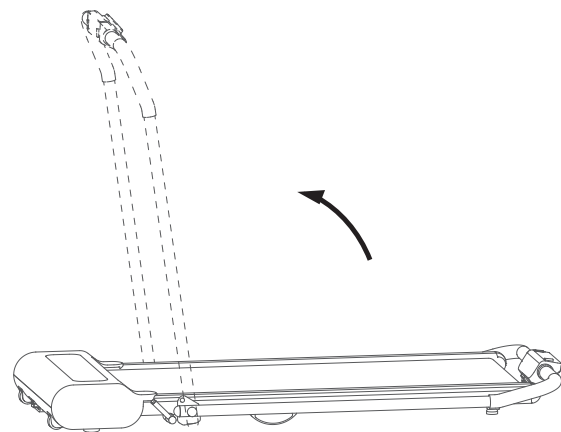
Unfolded To Run (Speed range: 0.6 - 7.6mph)

1. Unbox to take out the treadmill with the related accessories, then place the treadmill on flat ground.

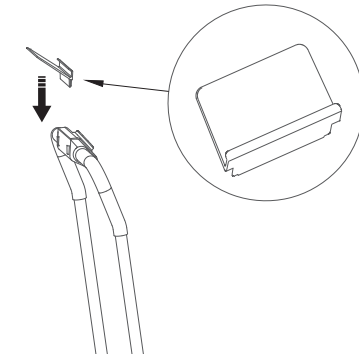
2. Foot pedal to release upright and grab tip of upright.



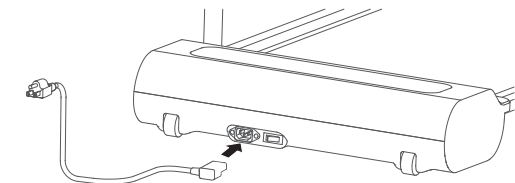
3. Lifting upright up till end of position. Hearing a "Click" means upright is locked.



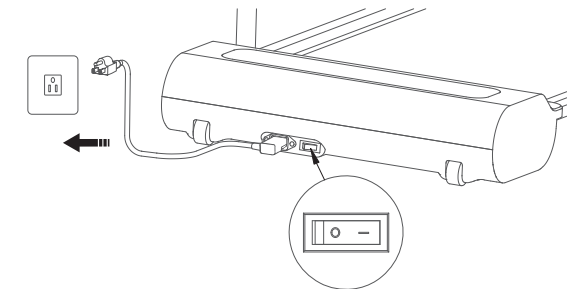
4. Insert tablet mount refer to arrow sign.



5. Plug in power cord to power connector.

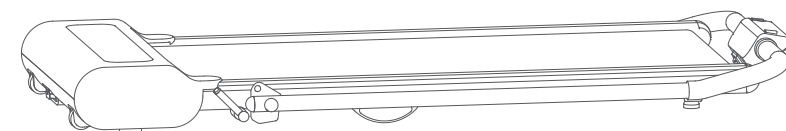


6. Power on and start to running with dial.



Folded To Walk (Speed range: 0.6 - 4.0mph)

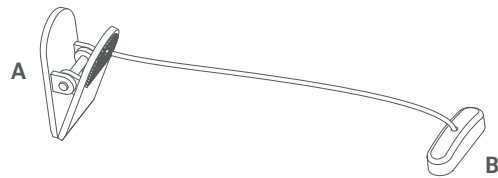
1. Detach the tablet mount.
2. Foot pedal to fold down handlebar sub-assembly.
3. Enjoy walk exercise with remote control.



Safety Key

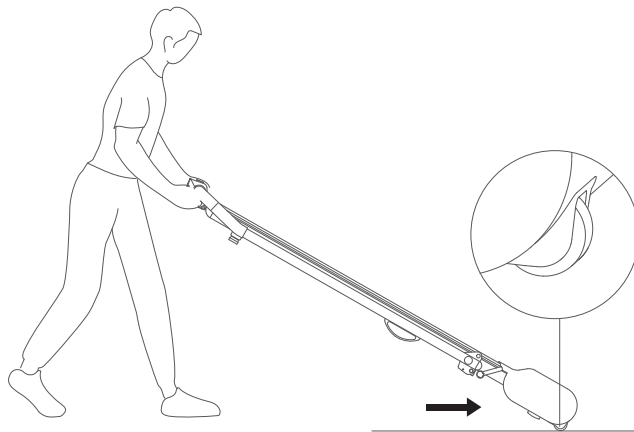
In any emergency occurs, treadmill stops automatically and show "----" when the safety key is pulled out from the console.

NOTE: Find the clip (A) onto the waistband of your clothes, another key (B) magnetic attracted under console.



Transportation

1. If transportation needs, please unplug power cord and tablet mount before lifting the terminal of treadmill.
2. Easy to transport treadmill with bottom transportation wheel assists, like as wheelbarrow.



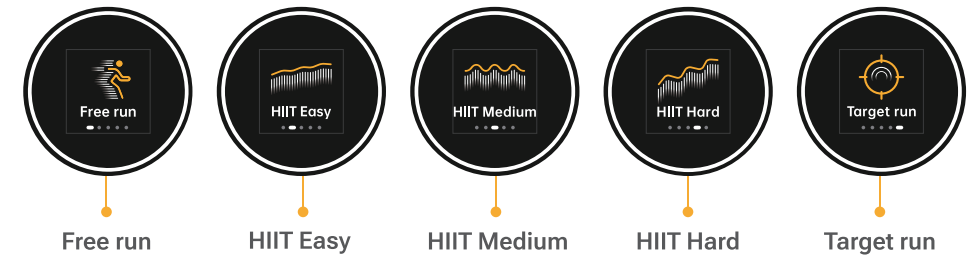
NOTE: Before move and storage, please make sure the power switch into off and power cord is unplugged.

7 OPERATION

Unfolded Usage Scenarios

Dial diaplay work only, all of work modes selection are operated with dial.

Dial Function Menu

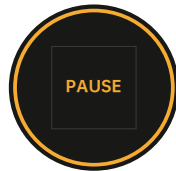


Dial operation and illumination introduction

- Push dial to light on diaplay, you will see Welcome animation that Urevo logo illuminated gradually.
- 5 optional work modes choose with dial (CW or CCW roate), default setting is Free run.

Work Mode	Function
Free run	Freely choose your favorite speed and run, your cumulative workout data are alternate illuminated on dial display.
HIIT Easy	Offer 2.17 miles run in 24'20" to gain Easy HIIT effect and estimated 620Kcal burn.
HIIT Medium	Offer 2.92 miles run in a half hour to achieve Deep HIIT effect and estimated 834Kcal burn.
HIIT Hard	Offer 1.48 miles run in 17' and estimated 422Kcal burn.
Note: The variable speed of all stroke is programmed in product. It's not applicable to change speed by manual. You're able to tracking the state of motion with progress bars, where indicated on dial display	
Target run	Setting your desired workout objective and run (configurable factors: Time; Distance and Calories), manual speed change is applicable.

Pause & Stop



Short push dial in use.
Workout data will be erased and display light off in case Pause duration over than 10 minutes.



Hold push (1-2 seconds) dial in use or finished exercise.

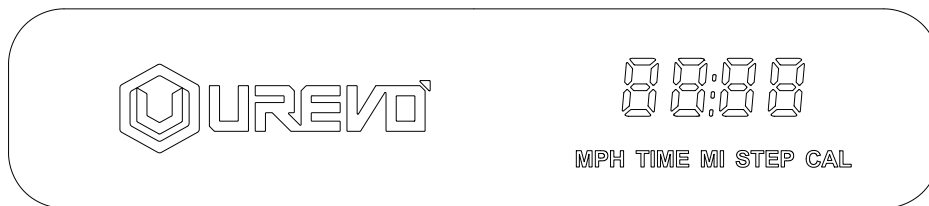


Lack safety key in unfolded usage scenarios.
But it's not mandatory required to attach safety key in folded usage scenarios.

Folded Usage Scenarios

By-pass dial, all of operation are processed by remote control and illuminated at numeric display.

Display Screen

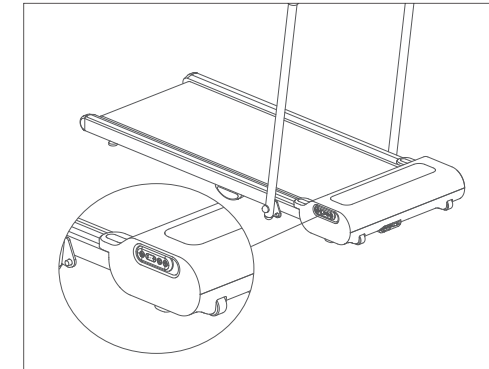
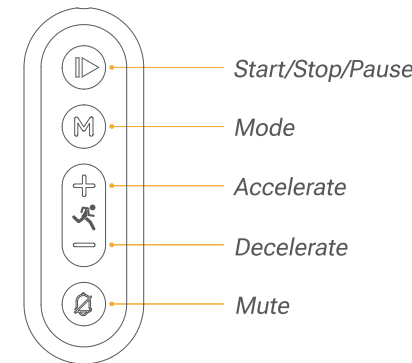


As you walk on the treadmill, the display can show the following workout information:

Name	Range	Display
MPH	0.6-4.0 mph	Displays the speed of walking belt.
TIME	00-99:59 minutes	Displays the elapsed time.
MI	00.00-99.99 miles	Displays the distance that you have walked or run.
STEP	00-9999 steps	Displays the number of walked steps.
CAL	0-9999 Kcal	Displays the approximate number of calories you have burned.

Remote Control

A magnet built in remote control so that it can be stuck in storage cavity of side body as shown in figure.



Note: Ensure that the walking treadmill is power on and the remote control is installed with battery.

Operation of Remote Control

Buttons	Functions	Operation	Note
▶	Start	Short press	Start the walking treadmill.
	Stop	Long press for 2"	When the walking treadmill stop (all datas recover to 0), the screen will display "END". 10 minutes later, the system will switch to the economic mode and turn off the display screen; Press any buttons to wake up the treadmill.
	Pause	Short press (in start mode)	The screen will display "PAU", previous workout metrics will be preserved automatically if pause time no longer than 10minutes, otherwise metrics data will be recovered to "0"; Press any buttons to wake up the treadmill. The treadmill will re-start at the minimum speed by re-pressing ▶ .
M	M Mode	Short press	Customize countdown workout programs (like as: Time; Distance; Steps; Calories)
+	Accelerate	Short press	Long press over 0.5 seconds, the speed will be increased continuously.
-	Decelerate	Short press	Long press over 0.5 seconds, the speed will be decreased continuously.
🔇	Mute	Short press	short press: Muted buzzer voices.

8 CARE & MAINTENANCE

Symptom: walk belt off centered or slips.

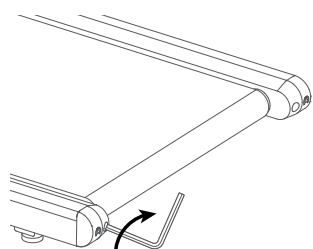


Figure 1

Centering walk belt process as follow:

1. Power off treadmill and unplug the power cord.
2. Manual centering process as follow:
 - If the walk belt has shifted to left, use the **hex tool** to turn the left idler roller screw clockwise **1/4** of a turn(refer to figure 1).
 - If the walk belt has shifted to right, use the **hex tool** to turn the right idler roller screw clockwise **1/4** of turn(refer to figure 2).
3. Treadmill MUST work 1-2mintutes. Repeat manual centering process untill the walk belt is centered.

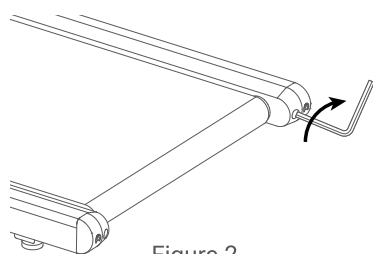


Figure 2

Belt slip correcting process as follow:

1. Power off treadmill before operation.
2. Using the **hex tool**, turn both idler roller screws clockwise **1/2** of turn(refer to figure 3).
3. After corrected, please attempts to walking 1-2 minutes under 2-3mph speed setting. Repeat until the walk belt is properly tightened.

Note: The Tread-belt should not be adjusted too tightly, otherwise it will be damaged.

Attentions

1. To prevent any injury, don't place any debris around treadmill before maintenance process.
2. MUST use associated **hex tool**.
3. Take care at maintenance process. Do not pinch fingers.

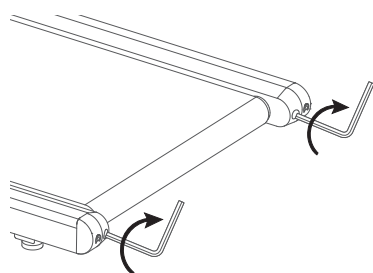
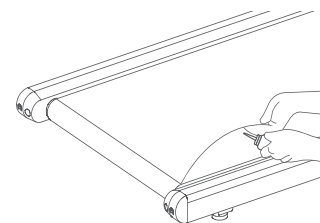


Figure 3

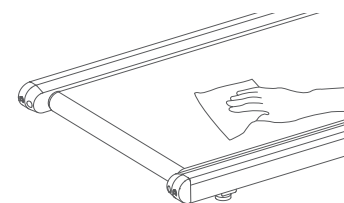
Belt lubrication process, follow instruction below to lubricate belt.

1. Power off treadmill and unplug power cord.
2. Using the **hex tool**, turn both idler roller screws counterclockwise till belt loosen and lifting easily.
Tips: please markdown hex tool rotating cycles when loosen belt, which use for adapting belt tension after lubrication process.
3. Lifting edges of belt and spraying lubrication oil at center of walk platform evenly. Not necessary to apply spray lubrication oil on entire walk platform.
4. Lubrication oil volume Per time of maintenance: 5-10mL.
Attention: it would causes of belt slip if spray too much.
5. Using the **hex tool**, turn the both idler screws clockwise as previous markdown number of turns untill walk belt tighten properly.
6. Power on treadmill and workout for a few minutes, in order to spread lubrication oil to whole belt surface evenly.
Attention: please hold handrail when workout at 4mph setting.
Lubrication frequency: High recommend 100 Miles Per time.



Treadmill cleaning.

1. Power off treadmill and unplug power cord before cleaning.
2. Wipe and clean with damp cloth, Do not cleaning with acidic or caustic detergents.
3. Do not clean opposite of walk belt.
4. Its normal few black powders residual under treadmill after long working.



9 ERROR CODE

Error Code	Fault Analysis	Resolutions
E01	Communcation interrupted between contoller and numeric display.	Unscrew motor hood and verify connection between controller and numeric display. Please contact with after sale service if E01 code has not been eliminated. Notice: Always power off and unplug power cord before processing.
E02	Motor open circuit	1. Unscrew motor hood to verify motor terminals connection . 2. Please contact with after sale service if problem CAN NOT solved by above process.
E03	Flame protection	1. Unscrew motor hood and verify connection between controller and motor. 2. Power supply interrupt due to connector loosen or out, please unscrew motor hood to check. 3. Please contact with after sale service if problem CAN NOT solved by above process.
E04	Over current protection	1. Due to user over limited 120Kg. 2. Open to check any foreign objects blocked moving parts. (such as: drive motor, idler roller, driver roller, walking belt) 3. Walking belt is overtightened or lack of lubricant. (please see detail chapters relate to belt tension and lubricant process)
E05	Communcation interrupted between controller and dial display	1. Unscrew motor hood to verify signal cables connection 2. Unscrew upper control plane to verify signal cables connection 3. Replace new dial diaplay 4. Please contact with after sale service if problem CAN NOT solved by above process

IMPORTANT: If error code appears, you MUST stop workout immediately, Please contact with after sale service if problem CAN NOT be solved after restart.

10 TROUBLESHOOTING

Problem	Fault Analysis	Resolutions
No working	1. Power rock switch dysfunction. 2. Power supply interrupted. 3. Power cord damaged.	1. Replace new power rock switch if it doesn't light on. 2. Make sure that power cord is plugged into properly grounded outlet. 3. Replace new power cable.
Dial display doesn't lighted in Unfolded mode	Steering sensor dysfunction.	1. Unscrew upper control plane to verify steering sensor cable connection. 2. Unscrew upper motor hood to verify steering sensor cable connection. 3. Replace new steering sensor PCBA board. 4. Please contact with after sale service if problem CAN NOT solved by above process.
Numeric display doesn't work in folded mode, but dial display work properly in unfold mode		
Dial dysfuction in unfolded mode	Dial dysfunction.	Replace new dial display.
Remote control does not work	1. Incorrect use of default. 2. Battery power shortage. 3. Remote control failure.	1. Remotor control should directly aiming to receiver port when in use. 2. Replace new battery cells. 3. Replace new remote control.
Walking belt slips	Walking belt loosen	Tighten walking belt tension with hex tool (1/4 a turn both idler roller screw clockwise)
Friction noise	Walking belt off center.	See details of walking belt tension chapter.

11 WARRANTY

MANUFACTURER'S LIMITED WARRANTY

UREVO warrants to the original purchaser that this product is free from defects in material and workmanship when used for the purpose intended, under the conditions that it has been installed and operated in accordance with UREVO Owner's Manual. UREVO's obligation under this warranty applies to the following:

COMPONENT LENGTH OF WARRANTY

Structural Frame 1 year For Home Use Only
All Other Components 90 days For Home Use Only

Exclusions from Warranty Coverage:

UREVO does not warrant against and is not responsible for, and no implied warranty shall be deemed to cover, any product failure, product malfunction, or damages attributable to:

1. Improper installation and/or failure to abide by UREVO's installation guidelines;
2. Use of this product beyond normal home use, or in an application for which it was not designed;
3. Cosmetic items such as scratches, dents or discolorations;
4. Damage caused by normal wear and tear, vandalism, accidental or by animals;
5. Any act of Nature (such as fire, flooding, snow, ice, hurricanes, earthquakes, lightnings or other natural disasters), environmental condition (such as air pollution, mold, mildew, etc.), or staining from foreign substances (such as dirt, grease, oil, etc.);
6. Normal weathering due to exposure to sunlight, weather and atmosphere which can cause colored surfaces to among other things, flake, chalk, accumulate dirt or stains.
7. Improper operation, alteration, handling, storage, abuse or neglect of the products.

UREVO , using its sole discretion, will either repair or replace free of charge any part(s) proven to be defective under normal home use. Any repair or replacement shall provide no new warranty coverage, but shall retain only the remaining portion of the original product's warranty. This warranty is offered only to the original purchaser and is not transferable. Proof of original purchase is required.

When ordering replacement parts please have the following information ready:

1. Order Number
2. Description of Parts
(Adding photos or videos would be helpful)
3. Part Number
4. Date of Purchase

