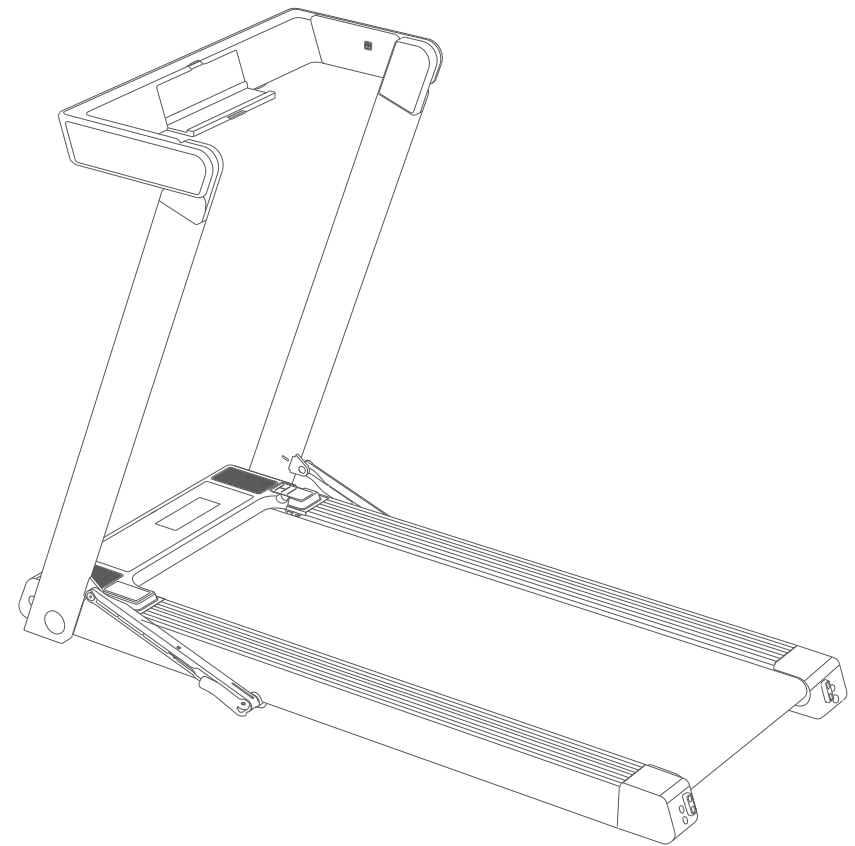


Strol 3E 3-in-1 Under Desk Treadmill

USER MANUAL



IMPORTANT: Read all instructions carefully before using this product. Retain this owner's manual for future reference. The specifications of this product may vary from this photo, subject to change without notice.

Manufacturer: Shenzhen Yile Dynamic Technology Co., LTD.
Address: 1205-1206, Tianliao Building, Tangchang Road, Tanglang Community, Taoyuan Street, Nanshan District, Shenzhen, China



Version: 3.0

MADE IN CHINA



TABLE OF CONTENTS

02	CUSTOMER SERVICE
03	IMPORTANT SAFETY INSTRUCTIONS
05	PRODUCT & ACCESSORIES
06	SPECIFICATION
07	PRODUCT INTRODUCTION
08	HOW TO USE
11	OPERATION
13	CARE & MAINTENANCE
15	ERROR CODE
16	TROUBLESHOOTING
17	WARRANTY

1 CUSTOMER SERVICE

IMPORTANT: FOR UREVO ONLY

For damaged or defective product, questions, replacement parts or any other service support, please contact our customer service department by the below methods:

services@urevosports.com

Response Time: 24-48 hours

Emailing us with the **Order ID** will be the best method to receive a response during peak business hours.

Website: www.urevosports.com

US Support Hotline: (1)844-998-2473

Hours of Operation: Monday – Friday : 9 AM – 12 PM; 1 PM – 6 PM (PST)

PLEASE DO NOT RETURN THIS PRODUCT WITHOUT ASKING OUR CUSTOMER SERVICE FIRST.

Scan this QR code to get the product installation guide



2 IMPORTANT SAFETY INSTRUCTIONS

DANGER - To reduce the risk of electric shock:

1. Always unplug this treadmill from the electrical outlet immediately after using and before cleaning.

WARNING - To reduce the risk of burns, fire, electric shock, or injury to persons:

1. An treadmill should never be left unattended plugged in. Unplug from outlet when not in use, and before putting on or taking off parts.
2. Do not operate under blanket or pillow. Excessive heating can occur and cause fire, electric shock, or injury to persons.
3. Close supervision is necessary when this treadmill is used by, on, or near children, invalids, or disabled persons.
4. Use this treadmill only for its intended use as described in this manual. Do not use attachments not recommended by the manufacturer.
5. Never operate this treadmill if it has a damaged cord or plug, if it is not working properly, if it has been dropped or damaged, or dropped into water. Return the treadmill to a service center for examination and repair.
6. Do not carry this treadmill by supply cord or use cord as a handle.
7. Keep the cord away from heated surfaces.
8. Never operate the treadmill with the air openings blocked. Keep the air openings free of lint, hair, and the like.
9. Never drop or insert any object into any opening.
10. Do not use outdoors.

11. Do not operate where aerosol (spray) products are being used or where oxygen is being administered.
12. Caution - To reduce the risk of injury from moving parts - Unplug before servicing.
13. Warning - To reduce the risk of Electric shock - Unplug before cleaning or servicing.
14. Warning - Risk of personal injury - Keep children under the age of 13 away from machine.
15. To disconnect, turn all controls to the position, then remove plug from outlet.
16. Connect this treadmill to a properly outlet only. See grounding instructions.
17. This treadmill is not intended for use by persons with reduces physical, sensory or mental capabilities, or lack of experience and knowledge, unless they have been given supervision or instruction concerning use of the treadmill by a person responsible for their safety. Keep children under the age of 13 away from this machine.
18. **The maximum weight capacity for this product is 264.5lbs/120kg. DO NOT EXCEED MAXIMUM WEIGHT CAPACITY.**

SAVE THESE INSTRUCTIONS

GROUNDING INSTRUCTIONS:

This product must be grounded. If it should malfunction or breakdown, grounding provides a path of least resistance for electric current to reduce the risk of electric and a grounding plug. The plug must

be plugged into an appropriate outlet that is properly installed and grounded in accordance with all local codes and ordinances.

DANGER - Improper connection of the equipment-grounding conductor can result in a risk of electric shock. Check with a qualified electrician or serviceman if you are in doubt as to whether the product is properly grounded. Do not modify the plug provided with the product - if it will not fit the outlet, have a proper outlet installed by a qualified electrician.

FCC STATEMENT :

This device complies with part 15 of the FCC rules.

Operation is subject to the following two conditions:

(1) This device may not cause harmful interference, and

(2) This device must accept any interference received, including interference that may cause undesired operation.

(3) This device has been evaluated to meet general RF exposure requirement. The device can be used in portable exposure condition without restriction.

Note: This equipment has been tested and found to comply with the limits for a Class B digital device, pursuant to part 15 of the FCC Rules. These limits are designed to provide reasonable protection against harmful interference in a residential installation. This equipment generates, uses and can radiate radio frequency energy and, if not installed and used in accordance with the instructions, may cause harmful interference to radio communications. However, there is no guarantee that interference will not occur in a particular installation. If this equipment does cause harmful interference to radio or television reception, which can be determined by turning the equipment off and on, the user is encouraged to try to correct the interference by one or more of the following measures:

- Reorient or relocate the receiving antenna.
- Increase the separation between the equipment and receiver.

- Connect the equipment into an outlet on a circuit different from that to which the receiver is connected.
- Consult the dealer or an experienced radio/TV technician for help.

This device complies with RSS210 of Industry Canada. Cet appareil se conforme à RSS210 de Canada d'Industrie. This device complies with Industry Canada license-exempt RSS standard(s). Operation is subject to the following two conditions: (1) this device may not cause interference, and (2) this device must accept any interference, including interference that may cause undesired operation of the device. appareils radio exempts de licence. Son fonctionnement est sujet aux deux conditions suivantes:

(1) le dispositif ne doit pas produire de brouillage préjudiciable, et (2) le dispositif doit accepter tout brouillage reçu, y compris un brouillage susceptible de provoquer un fonctionnement indésirable.

Radiation Exposure Statement: The product comply with the Canada portable RF exposure limit set forth for an uncontrolled environment and are safe for intended operation as described in this manual.

The further RF exposure reduction can be achieved if the product can be kept as far as possible from the user body or set the device to lower output power if such function is available.

Déclaration d'exposition aux radiations : Le produit est conforme aux limites d'exposition pour les appareils portables RF pour les États-Unis et le Canada établies pour un environnement non contrôlé.

Le produit est sûr pour un fonctionnement tel qu'édicté dans ce manuel. La réduction aux expositions RF peut être augmentée si l'appareil peut être conservé aussi loin que possible du corps de l'utilisateur ou que le dispositif est réglé sur la puissance de sortie la plus faible si une telle fonction est disponible.

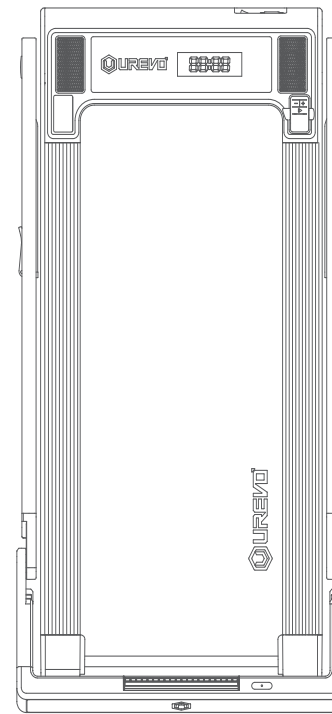
This Class B digital apparatus complies with Canadian ICES-003.

Cet appareil numérique de la classe B est conforme à la norme NMB-003 du Canada.

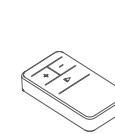
3 PRODUCT & ACCESSORIES

Please carefully check whether the contents of the package are complete and intact. If there is any missing and damage, please contact the seller.

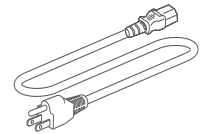
Accessories



Treadmill × 1



Remote Controller × 1



Power Cord × 1



Hex tool A × 1
90*90mm



Hex tool B × 1
48*17mm



Spare screws for lock latch × 2



Safety Key × 1



Lubricating Oil × 1



Battery Cell × 1

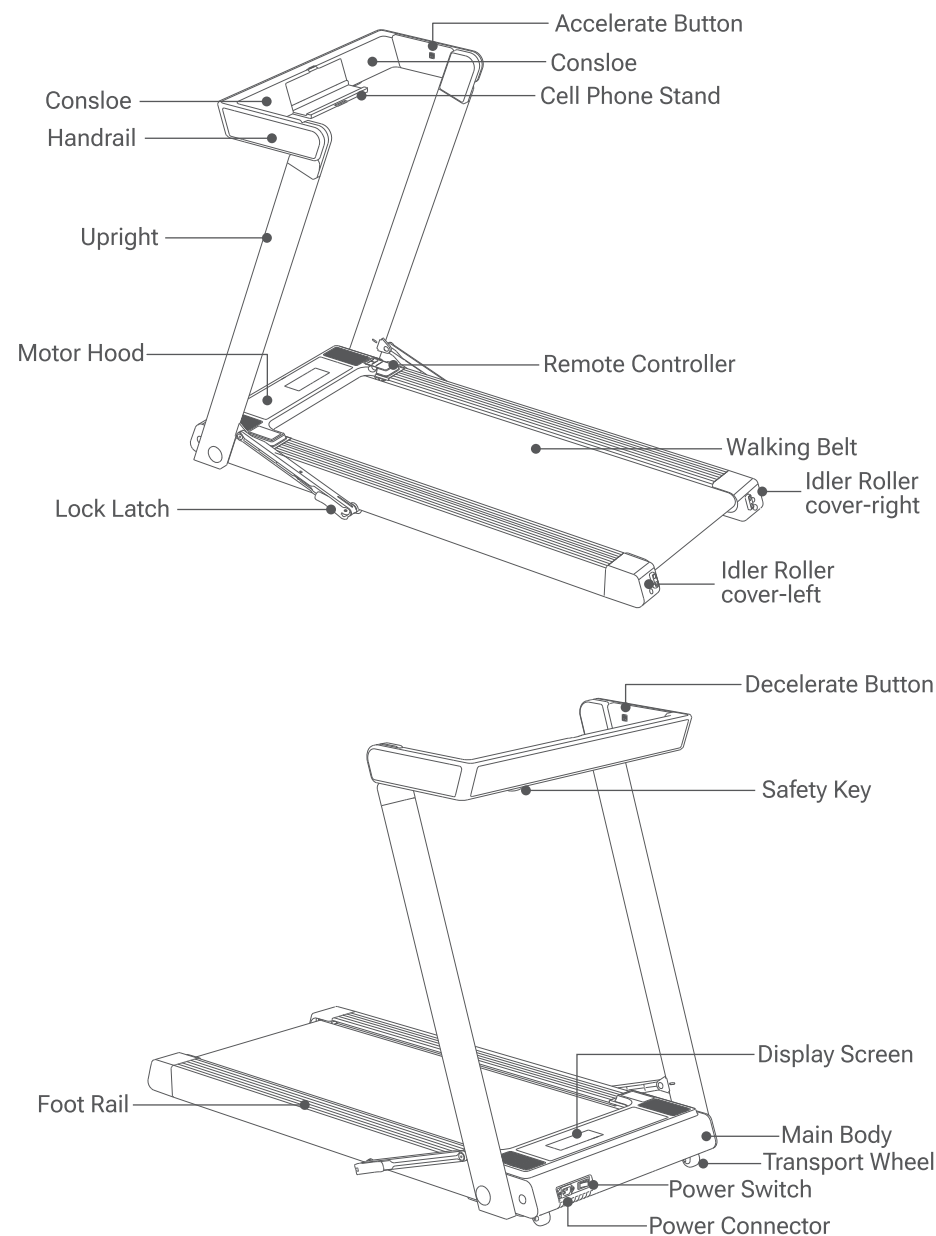


User Manual × 1

4 SPECIFICATION

Product configuration	Detailed parameters	Product configuration	Detailed parameters
Product dimension (Folded down)	135 × 68 × 13 cm	Product dimension (Folded up)	130 × 68 × 100 cm
	53.1 × 26.8 × 5.1 inch		51.2 × 26.8 × 39.4 inch
Running area	43 × 108 cm	Maximum speed	7.6 mph
	17 × 42.5 inch		
Gross weight	38.5 KG	Minimum speed	0.6 mph
	88.2 Lbs		
Net weight	35 KG	Rate voltage	110 - 120V ~
	77.2 Lbs		
Maximum load	120 KG	Peak housepower	2.5 Hp
	264.5 Lbs	Suggested age	14-60 years old

5 PRODUCT INTRODUCTION

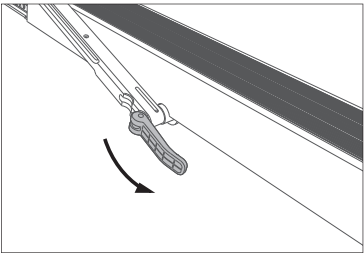


6 HOW TO USE

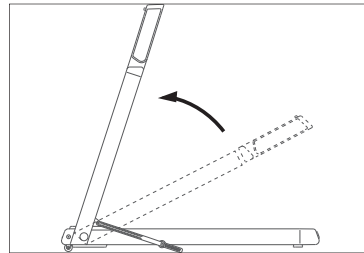
Unfolded To Run (Speed range : 0.6- 7.6mph)

1. Unbox to take out the treadmill with the related accessories, then place the treadmill on flat ground.

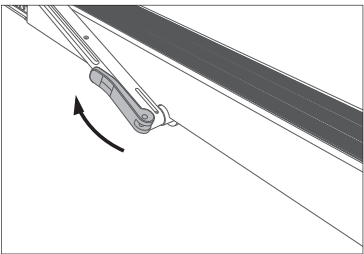
2. Pull to open the lock latches on both sides.



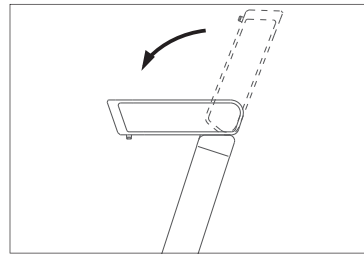
3. Lift up the uprights to the end position.



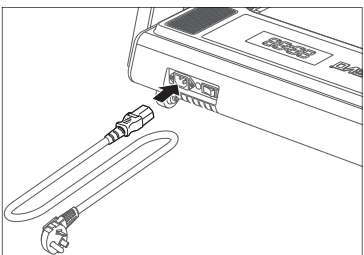
4. Push the lock latches to fasten locked.
NOTE: Upright MUST fixed security before running.



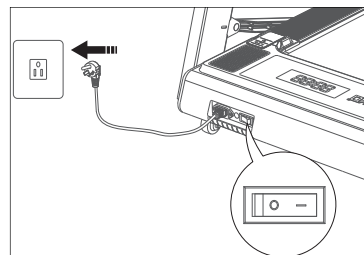
5. Fold down the handrail as horizontally.



6. Plug in power cord to power connector.

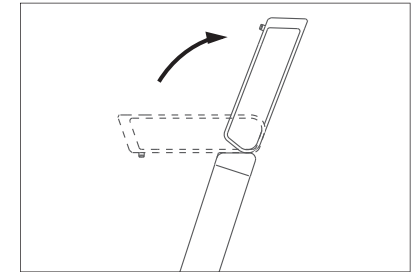


7. Power on and start to running.

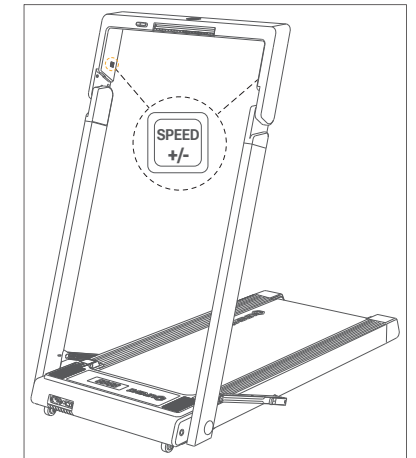


Unfolded To Stroll (Speed range : 0 - 4.0mph)

1. Fold up handrail until in line with uprights.



2. When Run mode ("Z" shape) switched to Stroll mode ("L" shape), the walking belt will gradually decelerate to 0.6mph automatically as safety reason. But you are able to control the speed of walking belt by side buttons .



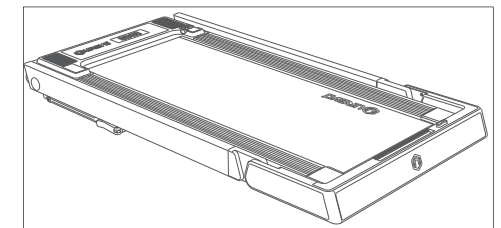
Folded To Walk (Speed range : 0.6 - 4.0mph)

1. Pull to open the lock latches on both sides.

2. Fold down uprights until in lined with foot rail.

3. Push the latches to fasten lock.

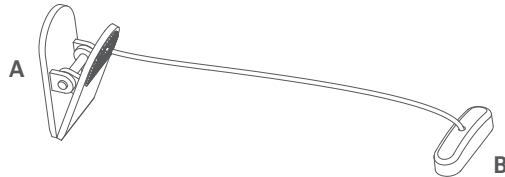
4. Start to walk mode with remote control.



Safety Key

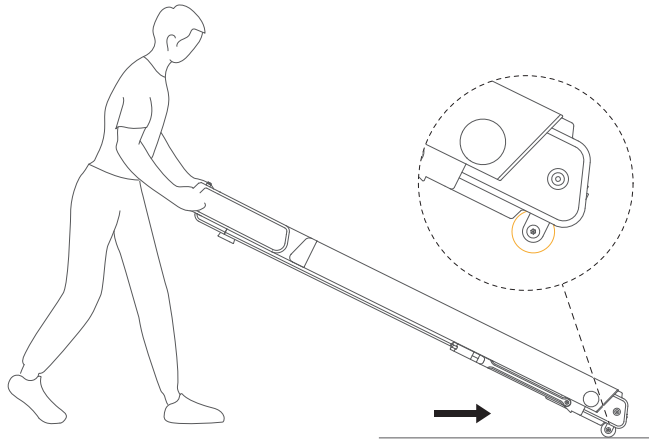
In any emergency occurs, treadmill stops automatically and show " ---" when the safety key is pulled out from the console.

NOTE: Find the clip (A) onto the waistband of your clothes, another key (B) magnetic attracted under console.



Transportation

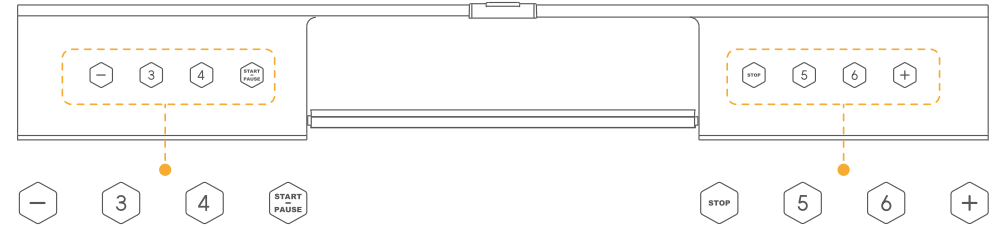
1. If transportation needs, unplug power cord and lifting the terminal of treadmill.
2. Easy to transport treadmill with bottom transportation wheel assists, like as wheelbarrow.



NOTE: Before move and storage, please make sure the power switch into off and power cord is unplugged.

7 OPERATION

Console



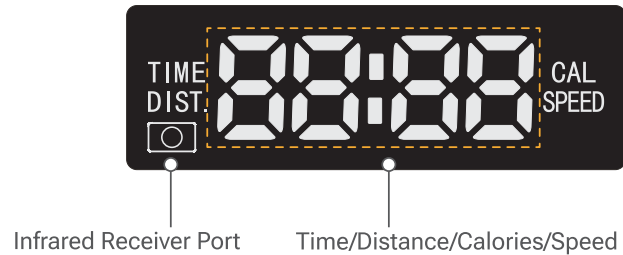
Touch button feature

Button	Function
—	Decelerate: Short touch or hold down this button, the speed setting will change by 0.2mph.
3	3mph button: Short touch this button, the speed will gradually change until 3mph.
4	4mph button: Short touch this button, the speed will gradually change until 4mph.
START/PAUSE	<ul style="list-style-type: none"> • To start walking belt, the default initial speed setting is 0.6mph. • To stop walking belt for a short pause or break, re-touch it again to resume.
STOP	Short touch this button to stop walking belt when your workout is completed.
5	5mph button: Short touch this button, the speed will gradually change until 5mph.
6	6mph button: Short touch this button, the speed will gradually change until 6mph.
+	Accelerate: Short touch or hold down this button, the speed setting will change by 0.2mph.

Standby Mode

If pause time over 10 minutes, it will switch to "standby mode" automatically. In standby mode, not only console lighted off but also previous workout datas will be erased to Zero, you can weak up console by touching any buttons.

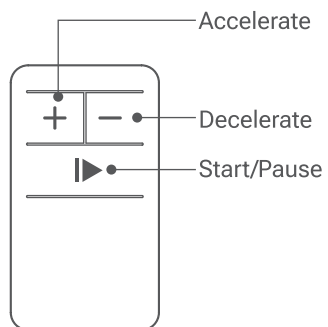
Display Screen



As you walk on or run on the treadmill, the display can show the following workout information:

Name	Range	Display
Speed	0.6-7.6 mph	Displays the speed of walking belt.
Calories	0-999 Kcal	Displays the approximate number of calories you have burned.
Time	0:00-99:59 minutes	Displays the elapsed time;
Distance	00.0-99.9 miles	Displays the distance that you have walked or run.
Infrared Receiver Port	/	Aiming the receiver when remote control is in use.

Remote Control



- ▶ Press button to start walking belt, the default initial speed setting is 0.6mph.
- ▶ Press button to have a pause in working mode, to resume workout, re-press it again.
- ▶ Hold press this button to stop walking belt when your workout is completed.
- +
- Press or hold this button to accelerate, the increment is 0.2mph.
-
- Press or hold this button to decelerate, the decrement is 0.2mph.

8 CARE & MAINTENANCE

Symptom : walk belt off centered or slips.

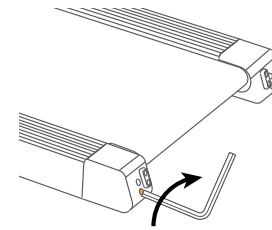


Figure 1

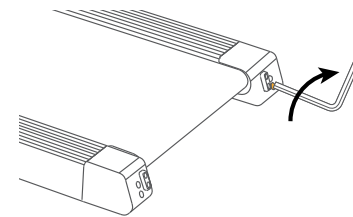


Figure 2

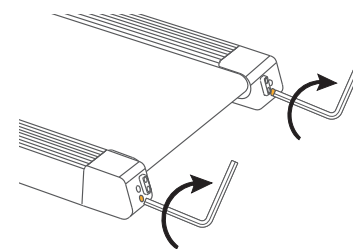


Figure 3

Centering walk belt process as follow :

1. Power off treadmill and unplug the power cord .
2. Manual centering process as follow:
 - If the walk belt has shifted to left, use the **hex tool A** to turn the left idler roller screw clockwise **1/4** of a turn(refer to figure 1).
 - If the walk belt has shifted to right, use the **hex tool A** to turn the right idler roller screw clockwise **1/4** of turn(refer to figure 2).
3. Treadmill **MUST** work 1-2minutes. Repeat manual centering process until the walk belt is centered.

Belt slip correcting process as follow :

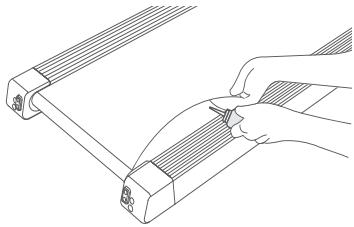
1. Power off treadmill before operation.
2. Using the **hex tool A**, turn both idler roller screws clockwise **1/2** of turn(refer to figure 3).
3. After corrected, please attempts to walking 1-2 minutes under 2-3mph speed setting. Repeat until the walk belt is properly tightened.

Note: The Tread-belt should not be adjusted too tightly, otherwise it will be damaged.

Attentions

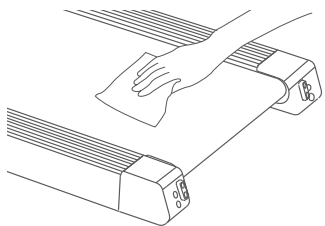
1. To prevent any injury, don't place any debris around treadmill before maintenance process.
2. **MUST** use associated **hex tool A**.
3. Take care at maintenance process. Do not pinch fingers.

Belt lubrication process, follow instruction below to lubricate belt.



1. Power off treadmill and unplug power cord.
2. Using the **hex tool A**, turn both idler roller screws counterclockwise till belt loosen and lifting easily.
Tips: please markdown hex tool A rotating cycles when loosen belt, which use for adapting belt tension after lubrication process.
3. Lifting edges of belt and spraying lubrication oil at center of walk platform evenly. Not necessary to apply spray lubrication oil on entire walk platform.
4. Lubrication oil volume Per time of maintenance: 5-10mL.
Attention: it would causes of belt slip if spray too much.
5. Using the **hex tool A**, turn the both idler screws clockwise as previous markdown number of turns untill walk belt tighten properly.
6. Power on treadmill and workout for a few minutes, in order to spread lubrication oil to whole belt surface evenly.
Attention: please hold handrail when workout at 4mph setting.
Lubrication frequency: High recommend 100 Miles Per time.

Treadmill cleaning.



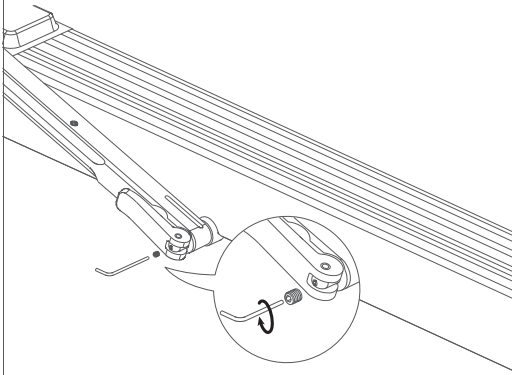
1. Power off treadmill and unplug power cord before cleaning.
2. Wipe and clean with damp cloth, Do not cleaning with acidic or caustic detergents.
3. Do not clean opposite of walk belt.
4. Its normal few black powders residual under treadmill after long working.

9 ERROR CODE

Error Code	Fault Analysis	Resolutions
E01	Communcation interrupted between contoller and numeric display.	Unscrew motor hood and verify connection between controller and numeric display. Please contact with after sale service if E01 code has not been eliminated. Notice: Always power off and unplug power cord before processing.
E02	Flame protection	1. Unscrew motor hood and verify connection between controller and motor. 2. Power supply interrput due to connector loosen or out, please unscrew motor hood to check. 3. Please contact with after sale service if problem CAN NOT solved by above process.
E05	Over current protection	1. Due to user over limited 120Kg. 2. Open to check any foreign objects blocked moving parts. (such as: drive motor, idler roller, driver roller, walking belt) 3. Walking belt is overtightened or lack of lubricant. (please see detail chapters relate to belt tension and lubricant process)
E06		
E07	Software bug	Replace new controller.
E10	Communcation interrupted between signal cable and console.	1. Unscrew console box and verify connection between singal cable and console. 2. Unscrew console box and verify internal lead wires whether are damaged or pierced. 3. Replace new console PCBA board.

IMPORTANT: If error code appears, you MUST stop workout immediately, Please contact with after sale service if problem CAN NOT be solved after restart.

10 TROUBLESHOOTING

Problem	Fault Analysis	Resolutions
No working	<ol style="list-style-type: none"> 1. Power rock switch dysfunction 2. Power supply interrupted. 3. Power cord damaged 	<ol style="list-style-type: none"> 1. Replace new power rock switch if it doesn't light on. 2. Make sure that power cord is plugged into properly grounded outlet. 3. Replace new power cable.
Walking belt slips	Walking belt loosen	Tighten walking belt tension with hex tool A (1/4 a turn both idler roller screw clockwise)
Remote control does not work	<ol style="list-style-type: none"> 1. Incorrect use of default 2. Battery power shortage. 3. Remote control malfunction 	<ol style="list-style-type: none"> 1. Remotor control should directly aiming to receiver port when in use. 2. Replace new battery cells. 3. Replace new remote control.
Friction noise	Walking belt off center.	See details of walking belt tension chapter.
Lock latch doesn't work	Screw loosen	<p>Tighten screws with Hex tool B refer to figure.</p> 

11 WARRANTY

MANUFACTURER'S LIMITED WARRANTY

UREVO warrants to the original purchaser that this product is free from defects in material and workmanship when used for the purpose intended, under the conditions that it has been installed and operated in accordance with UREVO Owner's Manual. UREVO's obligation under this warranty applies to the following:

COMPONENT LENGTH OF WARRANTY

Structural Frame 1 year For Home Use Only
All Other Components 90 days For Home Use Only

Exclusions from Warranty Coverage:

UREVO does not warrant against and is not responsible for, and no implied warranty shall be deemed to cover, any product failure, product malfunction, or damages attributable to:

1. Improper installation and/or failure to abide by UREVO's installation guidelines;
2. Use of this product beyond normal home use, or in an application for which it was not designed;
3. Cosmetic items such as scratches, dents or discolorations;
4. Damage caused by normal wear and tear, vandalism, accidental or by animals;
5. Any act of Nature (such as fire, flooding, snow, ice, hurricanes, earthquakes, lightning or other natural disasters), environmental condition (such as air pollution, mold, mildew, etc.), or staining from foreign substances (such as dirt, grease, oil, etc.);
6. Normal weathering due to exposure to sunlight, weather and atmosphere which can cause colored surfaces to among other things, flake, chalk, accumulate dirt or stains.
7. Improper operation, alteration, handling, storage, abuse or neglect of the products.

UREVO , using its sole discretion, will either repair or replace free of charge any part(s) proven to be defective under normal home use. Any repair or replacement shall provide no new warranty coverage, but shall retain only the remaining portion of the original product's warranty. This warranty is offered only to the original purchaser and is not transferable. Proof of original purchase is required.

When ordering replacement parts please have the following information ready:

1. Order Number
2. Description of Parts
(Adding photos or videos would be helpful)
3. Part Number
4. Date of Purchase

