

UREVO



URTM
007

2 IN 1 WALKING RUNNING TREADMILL

MAKING FITNESS FUN

USER MANUAL

SERVICE

IMPORTANT: FOR UREVO ONLY

For damaged or defective product, questions, replacement parts or any other service support, please contact our customer service department by the below methods:

For The Best Service, Email us with order ID at:

services@urevosports.com

Response Time: 1-2 Business Days

Emailing us with the information above will be the best method to receive a response during peak business hours.

Website : www.urevosports.com

PLEASE DO NOT RETURN THIS PRODUCT TO THE STORE.

Scan this QR Code to get the Product Installation Guide



IMPORTANT SAFETY GUIDELINES



PLEASE CAREFULLY READ THIS MANUAL BEFORE USE TO ENSURE YOUR SAFETY AND AVOID ACCIDENTS.

1. Wear suitable sports shoes and do not run barefoot for exercise. We do not assume any responsibility for abnormalities and injuries caused by failure to wear shoes since they have nothing to do with product quality.
2. Consider your physical condition when you start to train with this product. Train appropriately and regularly to ensure that you have enough physical strength for training. Improper or excessive training will not benefit your health.
3. The appliance can be used by children aged from 8 years and above and persons with reduced physical, sensory or mental capabilities or lack of experience and knowledge if they have been given supervision or instruction concerning use of the appliance in a safe way and understand the hazards involved. Children shall not play with the appliance. Cleaning and user maintenance shall not be made by children without supervision.
4. This product is suitable for home use rather than professional training and testing, nor medical purposes.
5. Damaged power cord must be replaced by the manufacturer or professional maintenance personnel to avoid danger.
6. Check all parts before use to ensure the screws and nuts are tightened.
7. Wear tight fitting clothes to prevent clothes from being caught by the machine when using it. Keep children or pets away from the equipment to avoid accidents.
8. Place the equipment on smooth, clean and level ground. Make sure there are no sharp objects near it. Do not use it near water and heat sources.
9. Avoid touching any moving parts with hands. Do not place your hands and feet in the space under the running belt.
10. This product is for one person only when it is running.
11. Please use the accessories provided by the manufacturer only, and do not attempt to repair on your own.
12. The maximum weight capacity for this product is 265 lbs / 120 kg.
DO NOT EXCEED MAXIMUM WEIGHT CAPACITY.
13. Please make sure to add 10ml of lubricant when using the product for the first time. Add Silicone oil every one year or after 100 hours of working.

DANGER - To reduce the risk of electric shock:

Always unplug this appliance from the electrical outlet immediately after using and before cleaning.

WARNING - To reduce the risk of burns, fire, electric shock, or injury to persons:

- 1) An appliance should never be left unattended plugged in. Unplug from outlet when not in use, and before putting on or taking off parts.
- 2) Do not operate under blanket or pillow. Excessive heating can occur and cause fire, electric shock, or injury to persons.
- 3) Close supervision is necessary when this appliance is used by, on, or near children, invalids, or disabled persons.
- 4) Use this appliance only for its intended use as described in this manual. Do not use attachments not recommended by the manufacturer.
- 5) Never operate this appliance if it has a damaged cord or plug, if it is not working properly, if it has been dropped or damaged, or dropped into water. Return the appliance to a service

IMPORTANT SAFETY GUIDELINES

center for examination and repair.

6) Do not carry this appliance by supply cord or use cord as a handle.

7) Keep the cord away from heated surfaces.

8) Never operate the appliance with the air openings blocked. Keep the air openings free of lint, hair, and the like.

9) Never drop or insert any object into any opening.

10) Do not use outdoors.

11) Do not operate where aerosol (spray) products are being used or where oxygen is being administered.

12) Caution - To reduce the risk of injury from moving parts - Unplug before servicing.

13) Warning - To reduce the risk of Electric shock - Unplug before cleaning or servicing.

14) Warning - Risk of personal injury - Keep children under the age of 13 away from machine.

15) To disconnect, turn all controls to the position, then remove plug from outlet.

16) Connect this appliance to a properly outlet only. See grounding instructions.

17) This appliance is not intended for use by persons with reduced physical, sensory or mental capabilities, or lack of experience and knowledge, unless they have been given supervision or instruction concerning use of the appliance by a person responsible for their safety. Keep children under the age of 13 away from this machine.

SAVE THESE INSTRUCTIONS

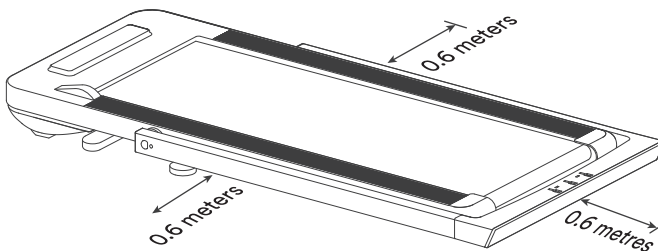
GROUNDING INSTRUCTIONS:

This product must be grounded. If it should malfunction or breakdown, grounding provides a path of least resistance for electric current to reduce the risk of electric and a grounding plug. The plug must be plugged into an appropriate outlet that is properly installed and grounded in accordance with all local codes and ordinances.

DANGER - Improper connection of the equipment-grounding conductor can result in a risk of electric shock. Check with a qualified electrician or serviceman if you are in doubt as to whether the product is properly grounded. Do not modify the plug provided with the product - if it will not fit the outlet, have a proper outlet installed by a qualified electrician.

1. If the supply cord is damaged, it must be replaced by a special cord set available from the manufacturer or its service agent.

2. The free area shall not be less than 0.6 metres greater than the training area in the directions from which the equipment is accessed.



IMPORTANT SAFETY GUIDELINES

3. If any of the adjustment devices are left projecting, they could interfere with the user's movement .
4. Warning, that a folded treadmill should not be operated.
5. Warning, to allowing the running surface to come to a complete stop before folding.
6. Noise emission under load is higher than without load.
7. On airborne noise: $\leq 65\text{dB}$.
8. This appliance is not intended for use by persons (including children) with reduced physical, sensory or mental capabilities, or lack of experience and knowledge, unless they have been given supervision or instruction concerning use of the appliance by a person responsible for their safety. Children should be supervised to ensure that they do not play with the appliance.
9. If the heart rate is displayed:
WARNING! Heart rate monitoring systems may be inaccurate. Over exercising may result in serious injury or death. If you feel faint stop exercising immediately.
10. If equipped with a pull-cord safety stop:
An instruction on how to use, attach and test the pull-cord safety stop is required.

POWER SUPPLY PRECAUTIONS

1. Use 220-240V~ 50-60Hz power supply.
2. The power plug must be reliably grounded, and the socket must be equipped with a dedicated circuit to avoid sharing a circuit with other electrical equipment.
3. Directly plug the power cord firmly into the socket.
4. Use a qualified socket to avoid dangers arising therefrom. If the plug does not match the socket, do not use the plug and ask an electrician to handle it.
5. Do not let the power cord contact the rollers. Do not put the power supply on the running belt. Do not use any damaged plugs.
6. Do not pull out or insert the power plug with wet hands.
7. Pull out the plug from the socket before cleaning and maintenance.
8. Check whether the treadmill functions normally before use. If normally, you can use it, otherwise do not use it and contact our Customer Service Department in time.
9. Clip the safety lock wire to your clothes before exercise for emergency stop.
10. Ensure that there is a 2000*1000mm vacant safe area without obstacles behind the treadmill during exercise.
11. In case of an abnormality, pull up with the handrail to keep your feet off the running belt and jump out of the treadmill.
12. If you feel dizzy, chest pain, nausea, or breathless during exercise, stop exercising immediately and consult a fitness coach or doctor.
13. Do not use this product outdoors, under high humidity or sunlight.
14. Power off and unplug when you leave.

PRECAUTIONS FOR INSTALLATION

1. Read the instructions carefully before installation.
2. Take out all parts from the package and separately place them on the clean ground for your overall check and easy installation.
3. Check whether all parts are complete according to the packing list.
4. Be careful when using tools or handling. Do not install the product by force according to your preference.
5. Check whether tools and packaging materials left behind are dangerous. Plastic and foam are harmful to children.
6. Install the product properly after carefully reading the steps and instructions in the manual.
7. This product must be properly installed by an adult. If necessary, ask a professional to install it.

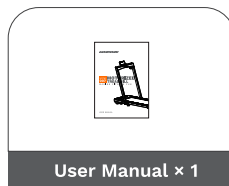
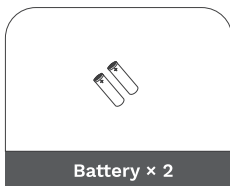
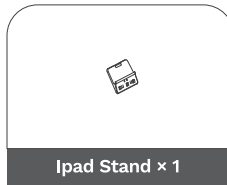
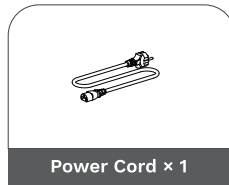


WARNING: INSTALL THE PRODUCT PROPERLY AND DO NOT DAMAGE IT.

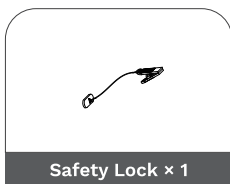
SAVE THESE INSTRUCTIONS.

PACKING LIST

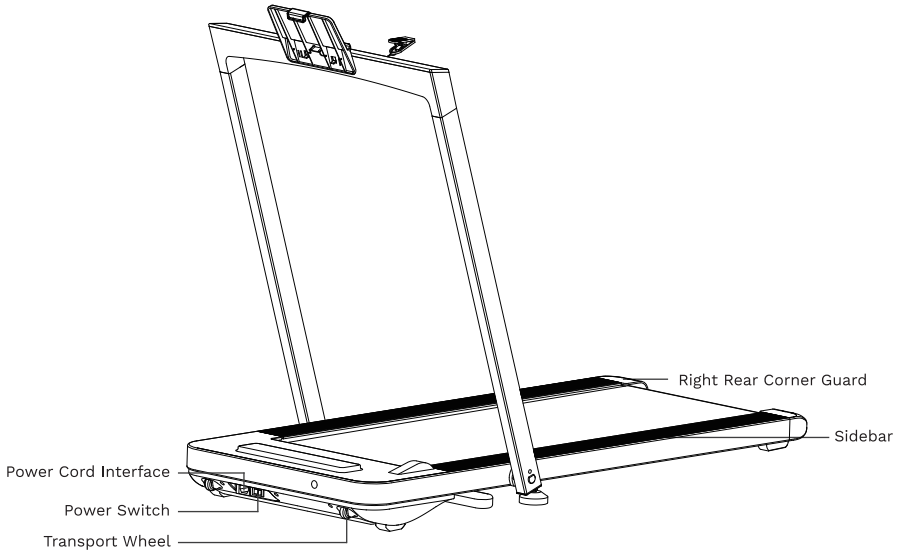
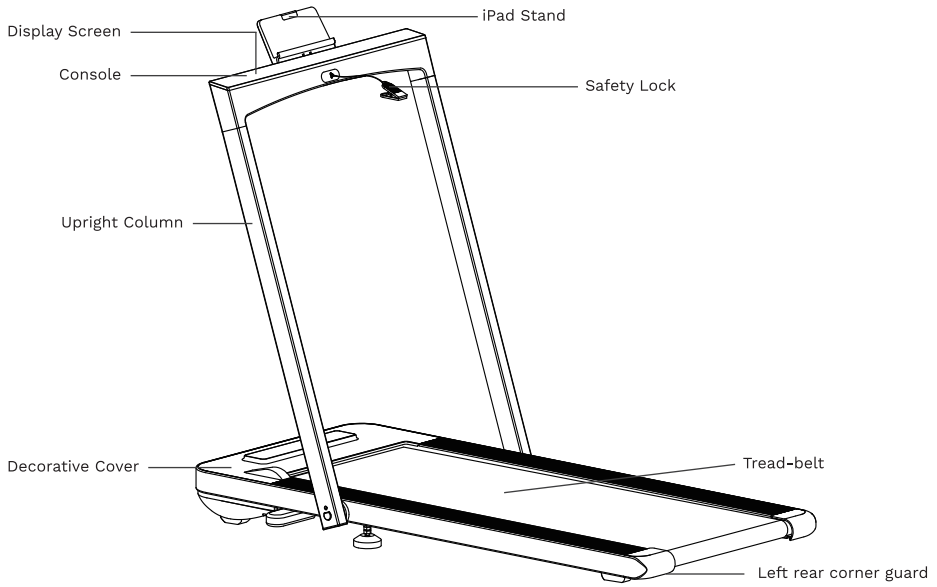
PRODUCT ACCESSORIES



TOOLKIT



PRODUCT OVERVIEW



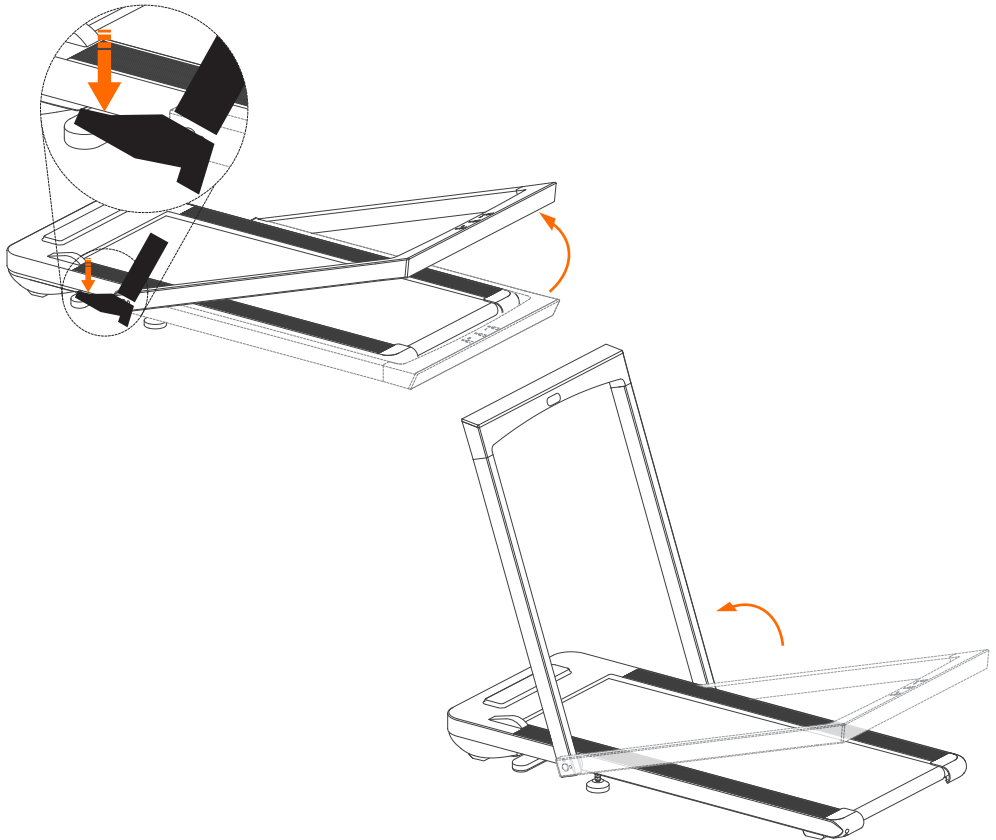
ASSEMBLY

INSTALLATION PREPARATION

- For safety operation, please select a safe, dry, solid and spacious horizontal surface for installation.
- After receiving the product, remove all parts from the product package. Please carefully check whether the parts and tools are complete according to the packing list.

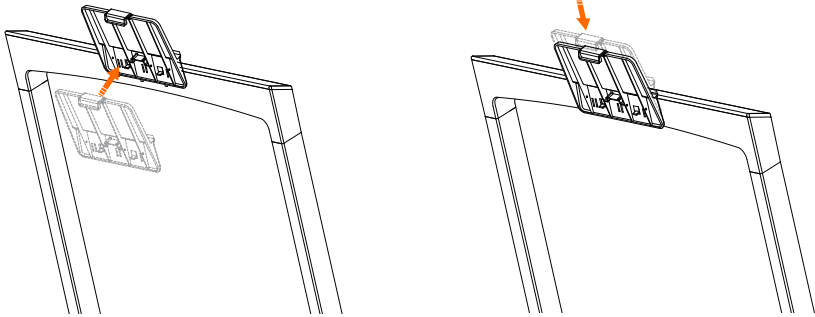
INSTALLATION STEPS

1. Step the pedal on the left side of the treadmill to the bottom, lift the upright column to the fixed position and clamp it (Rise it to more than 5cm and then release the pedal).



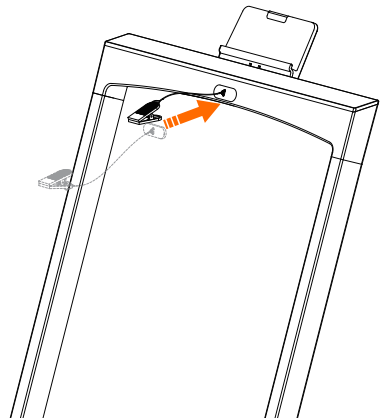
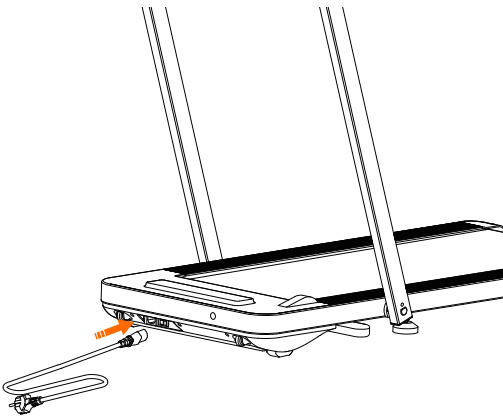
ASSEMBLY

2. Insert the Ipad Stand into the slot, down to the bottom, to fix the stand.



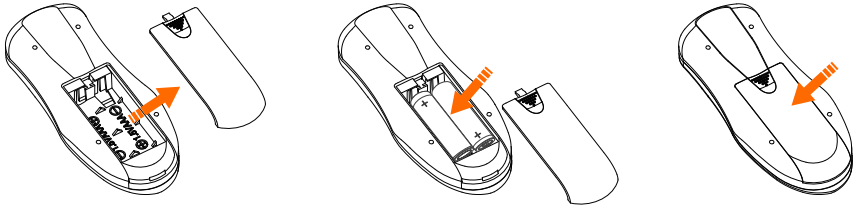
3. Connect the Power Cord.

4. Put the magnet end of the Safety Lock on the yellow marked position on the instrument board.



ASSEMBLY

5. Install the Battery on the Remote Control.



6. Please check your treadmill carefully to make sure that all parts (Upright Column and Ipad Stand) have been fixed and installed in the correct position.

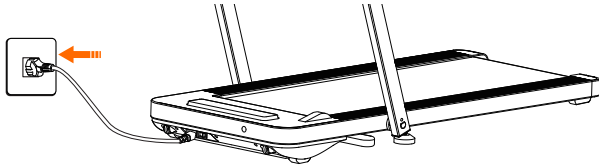
NOTE:

1. To prevent injury during assembly, please wear gloves and make sure there are two people assembling the product.
2. During product assembly, please pay attention to safety and avoid injury by moving parts.
3. To avoid injury, please keep away from bystanders and children during product assembly.
4. Do not use the product until it is completely assembled and checked.

OPERATION

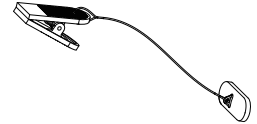
POWER ON

Plug in, turn on the power switch, you will hear sound "beeps", and the treadmill will be standby.



SAFETY LOCK

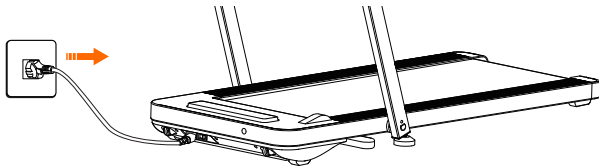
- The treadmill will only work if the Safety Lock is properly placed on the corresponding position of the console.
 - Make sure the Safety Lock clip on the clothes when exercising in case of an accident.
 - In any situation, pulling off the Safety Lock, the treadmill will stop in an emergency. The treadmill keeps "beeping". At this time, you may not perform any other operation on the treadmill except shutting it down.
- After the Safety Lock is attached correctly again, the treadmill will enter the standby mode.



FOLDING STEPS

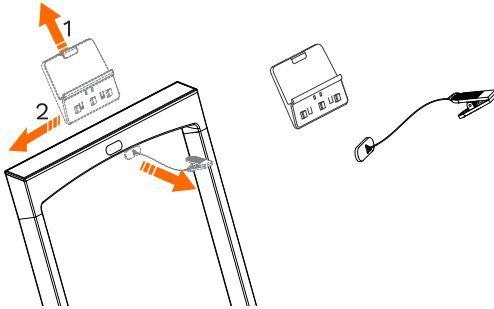
When the treadmill is not in use, it can be folded up to save space.

1. Before folding, please turn off the Power Switch and unplug the power plug;

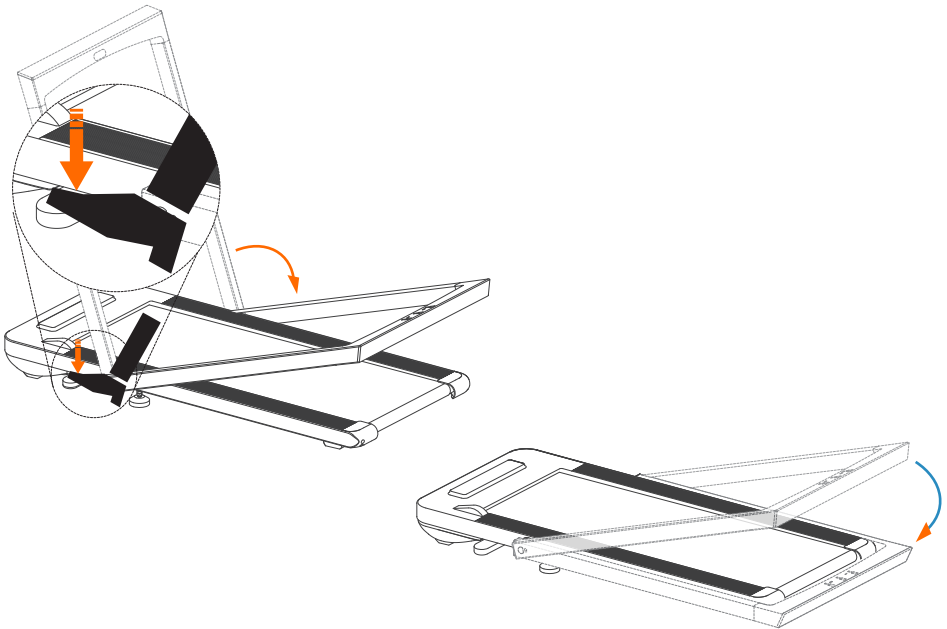


OPERATION

2. Remove the Safety Lock and iPad Stand and keep them safe for fear of loss;



3. Step the pedal on the left side of the machine to the bottom, fold down the Upright Column to the fixed position and clamp it (Fold more than 5 degrees and then release the pedal.).



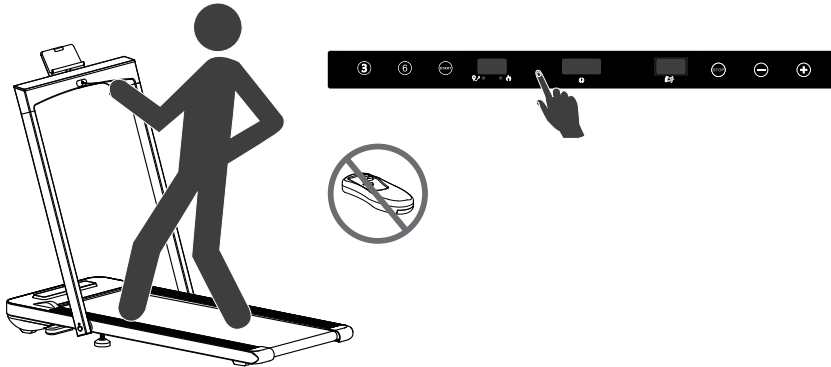
MODE

CAUTION:

- This Walking & running treadmill contains two modes: treadmill mode (when the upright column stands up) and walking treadmill mode (when the upright column folds up). After you adjust the upright column, please wait for about 5 seconds before the mode switch is officially completed.
- The remote control can only be used in the walking treadmill mode (when the upright column folds up)

RUNNING TREADMILL MODE

When the upright column stands up, the machine is in treadmill mode, only the buttons on the panel can be used to control the treadmill.



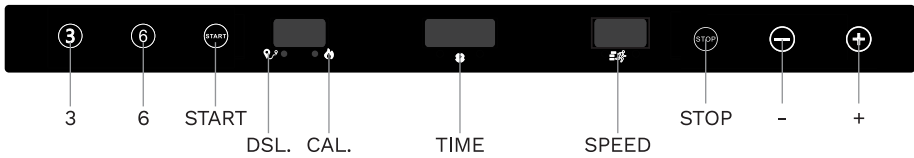
Start:

In standby mode, place the Safety Lock correctly and press the "START" key, and the treadmill starts after a 3-second countdown.

Stop:

When exercising, press the "STOP" key or disconnect the Safety Lock to stop the treadmill.

MODE



Key function:

	When exercising, press this key to slowly adjust the speed to 3.
	When exercising, press this key to slowly adjust the speed to 6.
	Press this key, and the treadmill will start from the lowest speed after a 3-second countdown.
	In running mode, press this key and the treadmill will stop.
	Slow down.
	Speed up.

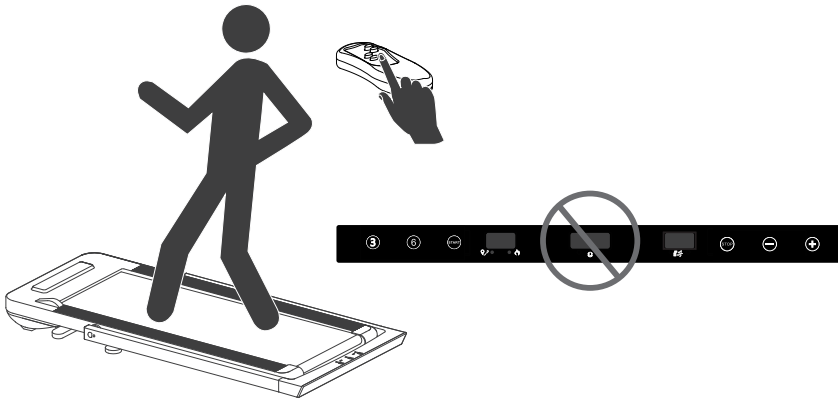
Window:

icon	Function	Parameter Scope
	When the indicator lights up, the window shows the mileage.	0~99.9
	When the indicator lights up, the window shows the calories consumed.	0~999KCAL
	Display the exercising time when exercising.	0:00~99:59
	1. Display the countdowns of "3--" - "-2-" - "-1" 2. Display the exercising speed when exercising.	1-12KM/H

MODE

WALKING TREADMILL MODE

When the upright column folds up, the treadmill is in walking treadmill mode, only the remote control can be used to control the treadmill.



Start:

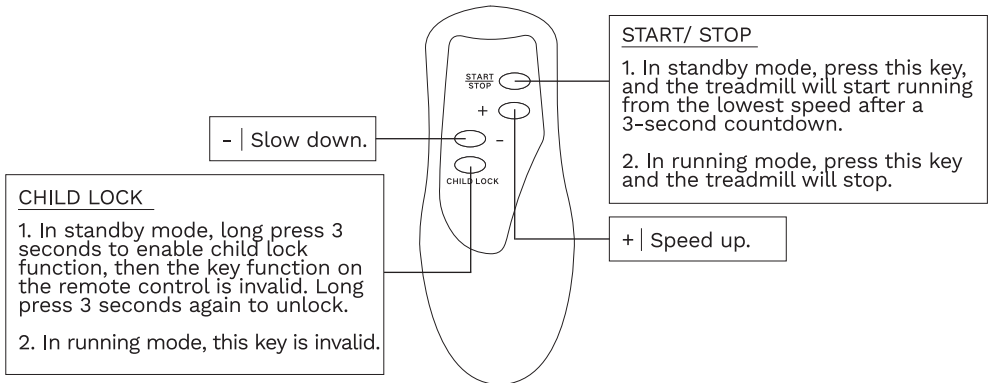
In standby mode, press the “START/STOP” key, and the treadmill starts after a 3-second countdown.

Stop:

When exercising, press the “START/STOP” key to stop the treadmill.

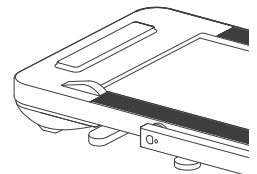
MODE

Key function on the remote control:



Window:

Function	Parameter Scope
<ol style="list-style-type: none"> 1. Display the countdowns of "3--" - "-2-" - "--1" in turn during startup. 2. Display the exercising speed when exercising. 	1-6KM/H



INFORMATION OF ERROR CODE

Common failures of control system and troubleshooting.

The following present error codes displayed on the electronic meter and their solutions:

ERROR CODE	CAUSE	SOLUTIONS
E01	Poor communication between electronic meter and controller.	<ol style="list-style-type: none">1. Check whether the connection wire between the electronic meter and the controller is in bad contact.2. The main IC of the controller is in bad contact, re-plug tightly.3. The power supply of the controller is abnormal, replace the controller.
E02	Explosion protection.	<ol style="list-style-type: none">1. Motor open circuit or poor contact, replace the motor or check the connection terminal.2. Power tube breakdown, replace the power tube or the controller.
E03	Speed sensing failure.	<ol style="list-style-type: none">1. Speed sensor is broken, replace the sensor.2. Speed sensor is not in the correct position, adjust the sensor.
E05	Overcurrent protection.	<ol style="list-style-type: none">1. Overloaded.2. Running platform resistance is too heavy, it needs to be oiled.3. Motor is damaged, replace the motor.
E06	Controller boot self test error.	Replace the controller.
E07	Parameter is missing.	Replace the controller or reload the parameters.
---	Safety Lock.	Please connect the Safety Lock.

MAINTENANCE

GENERAL CLEANING

Proper maintenance is helpful to prolong the service life of the treadmill.

1. Please wipe the stains on the instrument board and other parts with a clean cloth every time you use the treadmill.
2. Please wipe it with a mild detergent, if you often use the treadmill.
3. Check and lock all parts of the treadmill regularly, and replace defective parts in time.
4. Please turn off the power switch and unplug the power plug, when you don't use the treadmill.

CAUTION:

- When cleaning the treadmill, the power switch should be turned off and the power cord should be removed from the socket.
- Please do not use corrosive detergent to wipe.

TREADMILL ADJUSTMENT

The treadmill Tread-belt is adjusted before leaving the factory, but after use, it will be stretched or have deviated from the center position. Please adjust it in time to avoid damage to the treadmill.

Adjustment of the tread-belt's tightness:

If you are using the treadmill, the Tread-belt slips or does not run smoothly, you can adjust the tightness of the Tread-belt to improve it.

1. Insert the Allen key in the adjustment screw socket on the left side of the Tread-belt, and turn the Allen key clockwise to tighten the Tread-belt;
2. Repeat step 1 to adjust the right screw. Be sure in adjusting the screw to rotate the same distance;
3. Repeat steps 1 and 2 until the Tread-belt doesn't slip;
4. If you need to loosen the Tread-belt, please turn the key counterclockwise, and note that the left and right sides should rotate the same distance.

CAUTION:

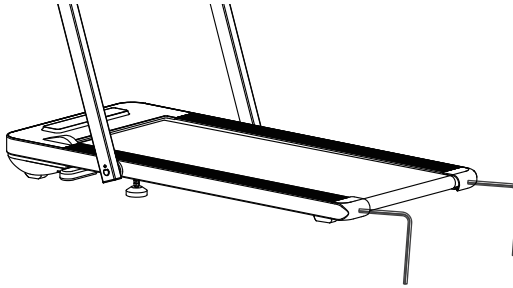
The Tread-belt should not be adjusted too tightly, otherwise it will damage the Tread-belt, increase the pressure of the front / rear rotary drum, damage the drum bearing, produce noise and other problems.

MAINTENANCE

Adjustment of Tread-belt position:

When using the treadmill, because of the possible force difference exerted by two feet and the unbalanced pressure exerted on the tread-belt, the tread-belt may deviate from the center, but this deviation phenomenon is normal. Leave the treadmill running unloaded for a period of time and the tread-belt will automatically return to the center. If it doesn't work, you need to adjust it manually.

1. Run the treadmill at low speed without load;
2. Observe the distance from the Tread-belt to the left and right sidebars:
 - If it deviates to the left, use an Allen key to turn the left screw clockwise;
 - If it deviates to the right, use an Allen key to turn the right screw clockwise;
 - If the Tread-belt is still not in the middle, repeat the above action until it is adjusted to the middle.



CAUTION:

Do not over-tighten the rotary drum as this will cause permanent damage to the bearing.