



# FOLDING TREADMILL

MAKING FITNESS FUN  
URTM003

## USER MANUAL



# Table of Contents

02	SERVICE
03	IMPORTANT SAFETY GUIDELINES
05	POWER SUPPLY PRECAUTIONS
05	PRECAUTIONS FOR INSTALLATION
06	PACKAGE LIST
07	PRODUCT STRUCTURE-
09	ASSEMBLY
10	STORAGE
11	REMOTE CONTROL GUIDELINES
15	DASHBOARD OPERATION
17	ADJUSTMENT OF RUNNING BELT
18	LUBRICATING & MAINTENANCE
19	TROUBLESHOOTING
20	WARM-UP
21	WARRANTY

# SERVICE

---

## IMPORTANT: FOR UREVO ONLY

For damaged or defective product, questions, replacement parts or any other service support, please contact our customer service department by the below methods:

**For The Best Service, Email us with order ID at:**

**[Services@urevosports.com](mailto:Services@urevosports.com)**

Response Time: 1-2 Business Days

Emailing us with the information above will be the best method to receive a response during peak business hours.

**Website: [www.urevosports.com](http://www.urevosports.com)**

**PLEASE DO NOT RETURN THIS PRODUCT TO THE STORE.**

Scan this QR code to get the product installation guide



# IMPORTANT SAFETY GUIDELINES

---



**Please carefully read this manual before use to ensure your safety and avoid accidents.**

1. Wear suitable sports shoes and do not run barefoot for exercise. We do not assume any responsibility for abnormalities and injuries caused by failure to wear shoes since they have nothing to do with product quality.
2. Consider your physical condition when you start to train with this product. Train appropriately and regularly to ensure that you have enough physical strength for training. Improper or excessive training will not benefit your health.
3. Children under 10 years old are not allowed to use this product; persons who are indisposed, mentally disabled or lack common sense are not allowed to use it; take care of elders and children and keep them from approaching or touching the product during its use; we do not assume any responsibility for accidental injuries due to violation operation, unauthorized modification or disassembly of the machine, and ignorance of precautions since they have nothing to do with the quality of our products.
4. This product is suitable for home use rather than professional training and testing, nor medical purposes.
5. Damaged power cord must be replaced by the manufacturer or professional maintenance personnel to avoid danger.
6. Check all parts before use to ensure the screws and nuts are tightened.
7. Wear tight fitting clothes to prevent clothes from being caught by the machine when using it. Keep children or pets away from the equipment to avoid accidents.
8. Place the equipment on smooth, clean and level ground. Make sure there are no sharp objects near it. Do not use it near water and heat sources.
9. Avoid touching any moving parts with hands. Do not place your hands and feet in the space under the running belt.
10. This product is for one person only when it is running.
11. Please use the accessories provided by the manufacturer only, and do not attempt to repair on your own.
- 12. The maximum weight capacity for this product is 265 lbs / 120 kg. DO NOT EXCEED MAXIMUM WEIGHT CAPACITY.**
- 13. Please make sure to add 10ml of lubricant when using the product for the first time. Add lubricating oil every one year or after 100 hours of working.**

## **DANGER - To reduce the risk of electric shock:**

Always unplug this appliance from the electrical outlet immediately after using and before cleaning.

## **WARNING - To reduce the risk of burns, fire, electric shock, or injury to persons:**

1)An appliance should never be left unattended plugged in. Unplug from outlet when not in use, and before putting on or taking off parts.

# IMPORTANT SAFETY GUIDELINES

---

- 2) Do not operate under blanket or pillow. Excessive heating can occur and cause fire, electric shock, or injury to persons.
- 3) Close supervision is necessary when this appliance is used by, on, or near children, invalids, or disabled persons.
- 4) Use this appliance only for its intended use as described in this manual. Do not use attachments not recommended by the manufacturer.
- 5) Never operate this appliance if it has a damaged cord or plug, if it is not working properly, if it has been dropped or damaged, or dropped into water. Return the appliance to a service center for examination and repair.
- 6) Do not carry this appliance by supply cord or use cord as a handle.
- 7) Keep the cord away from heated surfaces.
- 8) Never operate the appliance with the air openings blocked. Keep the air openings free of lint, hair, and the like.
- 9) Never drop or insert any object into any opening.
- 10) Do not use outdoors.
- 11) Do not operate where aerosol (spray) products are being used or where oxygen is being administered.
- 12) Caution - To reduce the risk of injury from moving parts - Unplug before servicing.
- 13) Warning - To reduce the risk of Electric shock - Unplug before cleaning or servicing.
- 14) Warning - Risk of personal injury - Keep children under the age of 13 away from machine.
- 15) To disconnect, turn all controls to the position, then remove plug from outlet.
- 16) Connect this appliance to a properly outlet only. See grounding instructions.
- 17) This appliance is not intended for use by persons with reduces physical, sensory or mental capabilities, or lack of experience and knowledge, unless they have been given supervision or instruction concerning use of the appliance by a person responsible for their safety. Keep children under the age of 13 away from this machine.

## SAVE THESE INSTRUCTIONS

### GROUNDING INSTRUCTIONS:

This product must be grounded. If it should malfunction or breakdown, grounding provides a path of least resistance for electric current to reduce the risk of electric and a grounding plug. The plug must be plugged into an appropriate outlet that is properly installed and grounded in accordance with all local codes and ordinances.

**DANGER** - Improper connection of the equipment-grounding conductor can result in a risk of electric shock. Check with a qualified electrician or serviceman if you are in doubt as to whether the product is properly grounded. Do not modify the plug provided with the product - if it will not fit the outlet, have a proper outlet installed by a qualified electrician.

# POWER SUPPLY PRECAUTIONS

---

1. Use 110VAC 60Hz power supply.
2. The power plug must be reliably grounded, and the socket must be equipped with a dedicated circuit to avoid sharing a circuit with other electrical equipment.
3. Directly plug the power cord firmly into the socket.
4. Use a qualified socket to avoid dangers arising therefrom. If the plug does not match the socket, do not use the plug and ask an electrician to handle it.
5. Do not let the power cord contact the rollers. Do not put the power supply on the running belt. Do not use any damaged plugs.
6. Do not pull out or insert the power plug with wet hands.
7. Pull out the plug from the socket before cleaning and maintenance.
8. Check whether the treadmill functions normally before use. If normally, you can use it, otherwise do not use it and contact our Customer Service Department in time.
9. Clip the safety lock wire to your clothes before exercise for emergency stop.
10. Ensure that there is a 2000\*1000mm vacant safe area without obstacles behind the treadmill during exercise.
11. In case of an abnormality, pull up with the handrail to keep your feet off the running belt and jump out of the treadmill.
12. If you feel dizzy, chest pain, nausea, or breathless during exercise, stop exercising immediately and consult a fitness coach or doctor.
13. Do not use this product outdoors, under high humidity or sunlight.
14. Power off and unplug when you leave.

# PRECAUTIONS FOR INSTALLATION

---

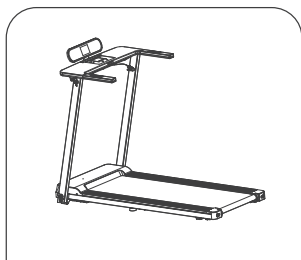
1. Read the instructions carefully before installation.
2. Take out all parts from the package and separately place them on the clean ground for your overall check and easy installation.
3. Check whether all parts are complete according to the packing list.
4. Be careful when using tools or handling. Do not install the product by force according to your preference.
5. Check whether tools and packaging materials left behind are dangerous. Plastic and foam are harmful to children.
6. Install the product properly after carefully reading the steps and instructions in the manual.
7. This product must be properly installed by an adult. If necessary, ask a professional to install it.



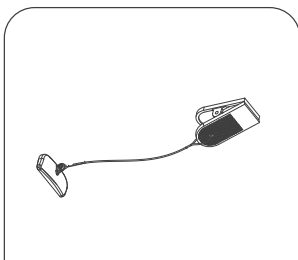
**Warning: Install the product properly and do not damage it.**

# PACKAGE LIST

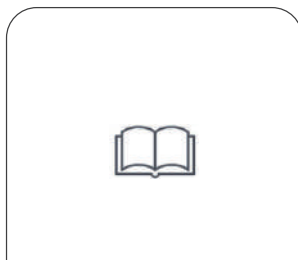
## PARTS LIST



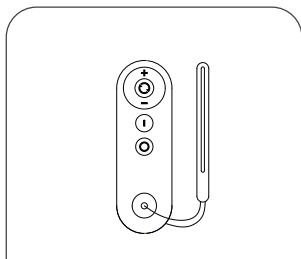
Speed/Function ×1



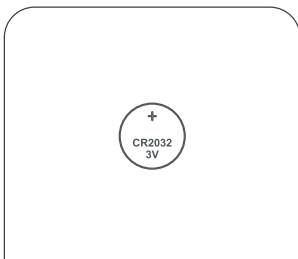
Safety lock ×1



Manual & Warranty card × 1

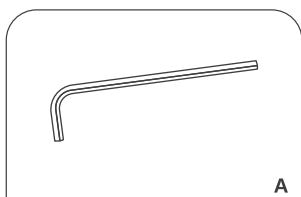


Remote controller × 1



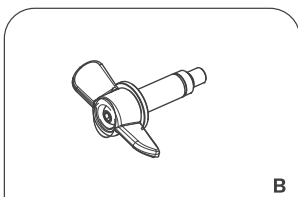
Battery × 1

## TOOL PACK



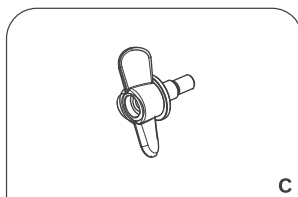
A

6mm L-shaped hexagon wrench (1 pc)



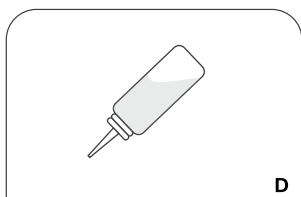
B

Long knob (2 pcs)



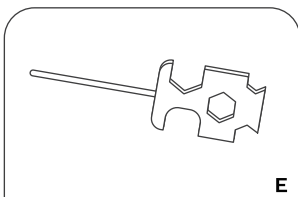
C

Short knob (2 pcs)



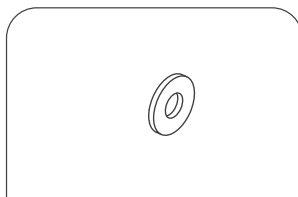
D

Lubricating oil (1 bottle)



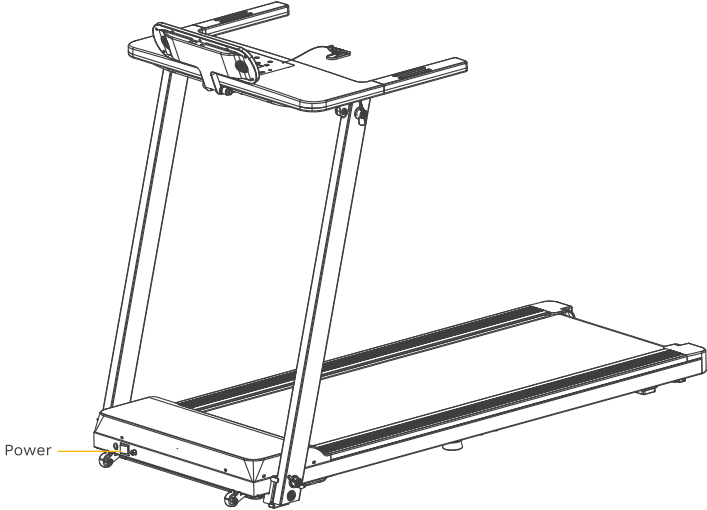
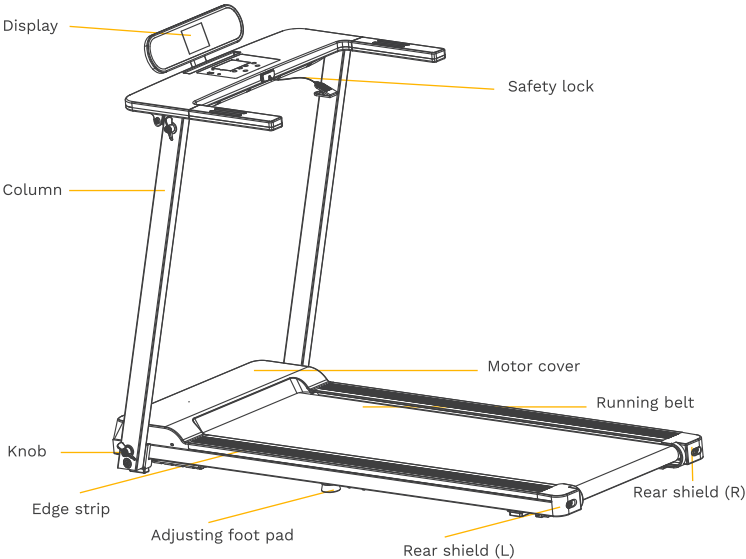
E

Multi-function open spanner (1 pc)



Plastic gasket (4 pcs)

# PRODUCT STRUCTURE

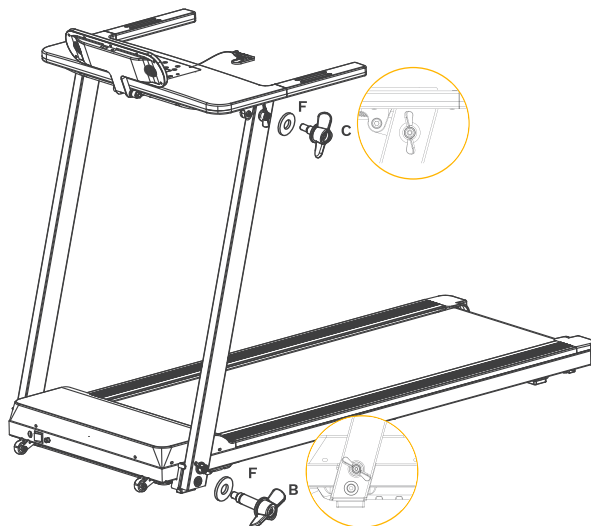




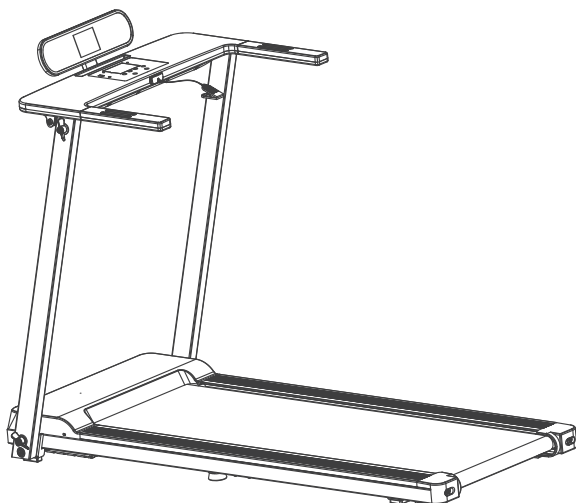
# ASSEMBLY

---

**Step 1:** Lift the machine out of the package and place it on the ground. Hold the column tube and stand it up. Apply gasket F to the knob B and then fix it at the bottom connection of the treadmill and tighten the knobs well. Similarly, use knob C with gasket F to fix both ends of the dashboard on the treadmill column and tighten the knobs.




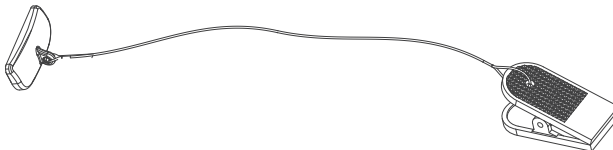
**Step 2:** Install the red safety switch (the end of its magnet) at the place with a yellow label in the middle below the dashboard. The installation of the machine is completed.



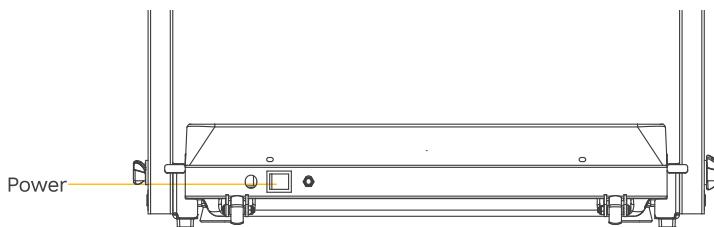
## ASSEMBLY

---

-  The treadmill will only work if the safety lock is properly placed on the slot of the dashboard. Clip the safety lock to your clothes. In the unlikely event of an accident, pull off the safety lock to immediately shut down the motor. If you want to continue using the treadmill, put the safety lock back.



- Step 3:** Operation: Plug in the power cord and turn on the Power. The indicator will light up, you will hear a beep and the display will also light up.



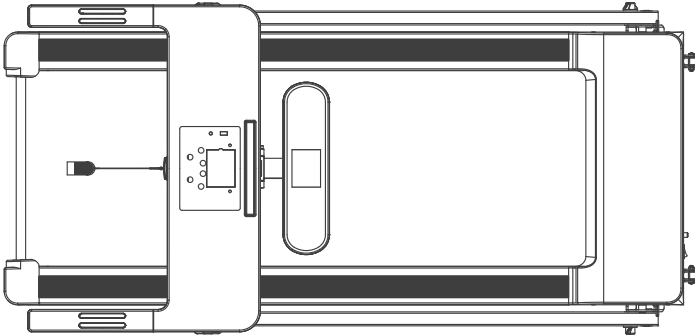
# STORAGE

---

## Step: Folding the treadmill

Turn off the power before folding.

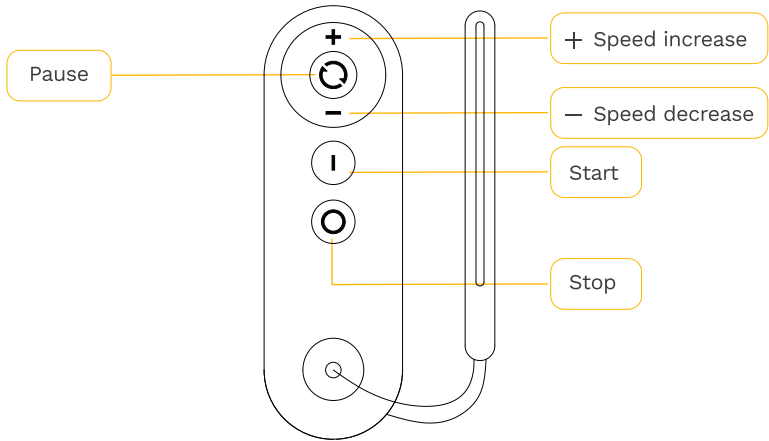
Loosen the upper and lower aluminum knobs of the column counterclockwise, and then fold the column and the dashboard (as shown below).



**NOTE:** Make sure the power is turned off and the power plug is removed from the socket.

# REMOTE CONTROL GUIDELINES

## 1. Remote Control Panel

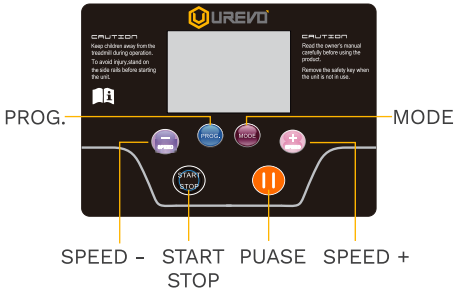


## 2. Operation Of Remote Control

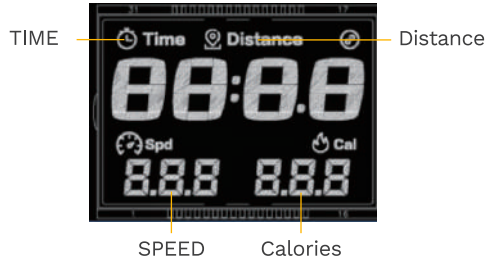
+	When the motor is running, press this key to increase the speed. Long press the buttons for over 1 second to continually increase or decrease the speed.
-	When the motor is running, press this key to decrease the speed. Long press the buttons for over 1 second to continually increase or decrease the speed.
⏸	Pause: Press this key to pause the operation of the treadmill during a workout, and the machine will retain the data at the time of the pause.
⏪	Start: With the power on and the safety lock attached, press this key to start the treadmill when in standby mode or paused.
⏹	Stop: Press this key to stop the operation of the treadmill during a workout and reset the data.

# DASHBOARD OPERATION

## 1. Display interface



## 2. Window



The treadmill will automatically turn off the screen after 5 minutes of data retention.

## 3. Windows and keys

3-1: The main LCD window displays the following information: time, distance, calorie, and speed.

3-2: Function keys: Program, Mode, Start, Stop, Speed +, and Speed -.

3-3: Description of function keys:

	In stop mode, press this key and the motor will start after 333, 222 and 111 display on the window.
	In running mode, press this key and the treadmill will stop running.
	In setting mode, press this key to increase the set value. When the motor is running, press this key to increase the speed.
	In setting mode, press this key to decrease the set value. When the motor is running, press this key to decrease the speed.
	In stop mode, press this key to select programs in a cycle: manual mode->P01->P02->P03->...P11->P12.
	When the manual mode (initial state) is selected, the initial value (0.0) of speed displays on the window. Press this key to select modes in a cycle. In manual mode, countdown time display 30:00 -> countdown distance display 1.0 -> countdown calorie display 50 -> normal mode.

## 4. Start

4-1: Install the safety lock properly on the panel, turn on the main power switch, LCD of all segments will display for 2 seconds, and then the software version number will be displayed. Then enter the manual (normal) mode.

4-2: Press the key "Start", Accompanied by the sound "bi" the screen will displays 333-222-111 in turn, and then the treadmill will be started.

# DASHBOARD OPERATION

---

## 5. Description of programs

- 5-1: A manual program, including normal mode (manual mode), time countdown, distance countdown, and calorie countdown.
- 5-2: 12-speed program: P1, P2, P3, P4, P5, P6...P11, P12.
- 5-3: Entering the manual mode:
- Turn on the power switch to directly enter the normal mode (manual mode).
  - In stop mode, press this key to enter the normal mode (manual mode).
  - Three functions in manual mode: time setting, distance setting, and calorie setting.
    - When you start to enter the manual mode, it is in the normal mode first, and all parameters are initial values.
    - In manual (normal) mode, press the Mode key to enter the time countdown mode. 30:00 displays and flashes on the time bar. Press the speed "+" or "-" key to set the countdown time. The setting range of time is 5: 00-99: 00.
    - In time countdown mode, press the Mode key to enter the distance countdown mode. 1.0 displays and flashes on the distance bar. Press the speed "+" or "-" key to set the countdown distance between 1.0-999.9 (MI).
    - In distance countdown mode, press the Mode key to enter the calorie countdown mode. 50 displays and flashes on the calorie bar. Press the speed "+" or "-" key to set the countdown calorie between 20-999 (kcal).
- 5-4: Operation in manual mode:
- Press the Start key and the motor starts to run.
  - Press the speed "+" or "-" key to adjust the speed.
  - Press the Stop key and the speed slowly decreases until it stops;
  - When the set time decreases to zero, the speed slowly decreases until it stops.
  - When the set distance decreases to zero, the speed slowly decreases until it stops.
  - When the set calorie decreases to zero, the speed slowly decreases until it stops.

## 6. Programs

- 6-1: The initial time is set to 30 minutes. You can only set time within 5:00-99:00. Press the speed "+" or "-" key to adjust the set value.
- 6-2: Press START to start the motor at the speed set in the program.
- 6-3: Press the speed "+" or "-" key to adjust the speed.
- 6-4: Each program is divided into 16 segments, where the running time is 1/16 of the set time.
- 6-5: A beep sounds when switching between segments.
- 6-6: When the set time decreases to zero, the speed slowly decreases until it stops.

## 7. Safety lock

In any mode, pull off the safety lock, the window displays "E -7" and the buzzer sounds bi-bi-bi. If the motor is running, it will stop immediately. At this time, no operations can be performed on the treadmill except shutting down. When the safety lock is correctly installed, the treadmill will enter the standby state again and wait for instructions.

# DASHBOARD OPERATION

## 8. Value display

	Initial value	Set initial value	Setting range	Display
Time(00:00)	0:00	30:00	5:00-99:00	0:00-99:59
Speed(mile/hour)	0.0	N/A	N/A	0.5-8.7
Distance(mile)	0.00	1.00	1.0-999.9	0.0-999.9
Calorie(kcal)	0	50	20-999	0-999

## Appendix 1 Exercise in P1-P12 programs

program Time		Setting time(16 segments)															
		1	2	3	4	5	6	7	8	9	10	11	12	13	14	15	16
P1	Speed	2.5	3.7	6.2	6.2	3.7	2.5	5	6.2	7.5	7.5	6.2	5	6.2	6.2	3.7	2.5
P2	Speed	1.2	2.5	3.7	2.5	3.7	3.7	2.5	3.7	3.7	5	6.2	5	3.7	5	2.5	1.2
P3	Speed	2.5	3.7	5	6.2	3.7	2.5	3.7	5	6.2	7.5	5	2.5	6.2	6.2	6	2.5
P4	Speed	1.2	1.2	3.7	6.2	3.7	2.5	3.7	6.2	3.7	2.5	3.7	6.2	5	3.7	2.5	1.2
P5	Speed	2.5	2.5	5	6.2	5	3.7	5	6.2	5	3.7	3.7	6.2	5	3.7	2.5	1.2
P6	Speed	2.5	3.7	5	5	5	5	6.2	5	5	3.7	3.7	3.7	3.7	3.7	3.7	2.5
P7	Speed	3.7	2.5	1.2	2.5	3.7	5	6.2	6.2	7.5	7.5	6.2	6.2	5	3.7	2.5	2.5
P8	Speed	2.5	3.7	5	6.2	6.2	6.2	6.2	6.2	6.2	5	3.7	3.7	3.7	2.5	1.2	1.2
P9	Speed	1.2	2.5	2.5	2.5	3.7	3.7	2.5	3.7	2.5	2.5	2.5	2.5	1.2	2.5	3.7	1.2
P10	Speed	1.2	2.5	2.5	2.5	3.7	3.7	2.5	3.7	2.5	2.5	2.5	2.5	1.2	2.5	3.7	1.2
P11	Speed	2.5	2.5	3.7	3.7	2.5	3.7	3.7	5	5	3.7	3.7	3.7	3.7	5	3.7	2.5
P12	Speed	2.5	2.5	3.7	5	6.2	7.5	6.2	7.5	6.2	5	6.2	7.5	7.5	6.2	5	3.7

## 9. Sleep

When no operations are performed for more than 10 minutes, the system turns off all displays and enters the sleep mode. Press any key to wake up.

# DASHBOARD OPERATION

---

## 10. Common failures of control system and troubleshooting

The following present error codes displayed on the electronic meter and their solutions:

ERROR CODE	DESCRIPTION	ERROR HANDLING
<b>E1</b>	Abnormal communication: The communication between the holder and control panel is blocked.	Check the cable connection between the control panel and holder to ensure that is fully plugged in. Replace the connection cable if it is faulty.
<b>E2</b>	No voltage on the motor cable.	Check the cable connection of the motor to ensure that it is in good condition. Check motor and replace if damaged.
<b>E5</b>	Overcurrent protection: While in operation, the current has been detected to be more than 6A for longer than 3 seconds.	Possible causes: Overloading leads to excessive current and the system automatically shut down for self-protection, or some part of the treadmill is stuck, causing the motor to stop. Adjust the treadmill and restart it. Check if there is liquid or a burnt smell while the motor is running. If yes, replace the motor. Check if the control panel has a burnt smell. If yes, replace the control panel. Check the power supply voltage to ensure that it meets the product specifications. If not, use the correct voltage.
<b>E7</b>	No safety key	Place the safety key in its correct position.
<b>E9</b>	Control panel communication is interrupted	Turn off power and restart treadmill. If problem persists, please consult qualified service personnel for assistance.



# ADJUSTMENT OF RUNNING BELT

---

## The following two situations need to adjust the running belt

**Situations 1:** The running belt has been adjusted before shipment, but it would be stretched and its center position would deviate from the original position after use causing damage to the foot edge strips and rear cover due to rubbing. It is normal that the running belt is stretched during use.

**Situations 2:** If the running belt slips or does not run smoothly when you use the treadmill, you can adjust the tightness of the running belt.

### Adjust the position of the running belt:

When you are running on the treadmill, the pressure on the running belt is imbalanced as the force applied by your feet on the belt is different, which will deviate the running belt from the center. Such deviation is normal and the running belt will return to the middle if no one runs on it. If it is not centered, you need to adjust the running belt until it moves to the middle.

1. Allow the treadmill to run with no load and adjust the speed to 8.7mile/hour.

2. Observe the distance between the running belt and the left and right edge strips.

- If it moves to the left, use the hexagon wrench to rotate the left screw by 1/4 turn clockwise.
- If it moves to the right, use the hexagon wrench to rotate the right screw by 1/4 turn clockwise.
- If the running belt is still not centered, repeat the above operation until it moves to the middle.

3. When the running belt is in the middle, adjust the speed to 8.7mile/hour, and observe the deviation and smoothness of the running belt. If there is a deviation, repeat the adjustment steps. Warning! Do not tighten the rollers too much. This will result in permanent damage to the bearings.

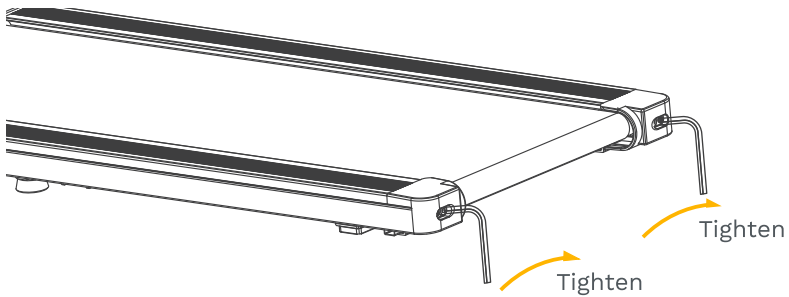
If the above operations are not effective, you need to tighten the running belt a little more.

# ADJUSTMENT OF RUNNING BELT

---

## Adjust the tightness of the running belt:

1. Insert the 6mm hexagon wrench A into the adjusting screw on the left side of the running belt, and rotate the wrench by 1/4 turn clockwise to adjust the rear roller to tighten the running belt.
2. Repeat Step 1 and adjust the screw on the right. Be sure to rotate the adjusting screws by the same amplitude so that the rear rollers will be parallel to the frame after adjustment.
3. Repeat Steps 1 and 2 until the running belt does not slip.
4. Note that the running belt cannot be tightened too much. This would damage the running belt, the roller bearings, etc., increase the pressure on the front/rear rollers, and cause abnormal noise or other problems. If you want to reduce the tension of the running belt, rotate the wrench counterclockwise with the same amplitude on both sides.



# LUBRICATING & MAINTENANCE

---

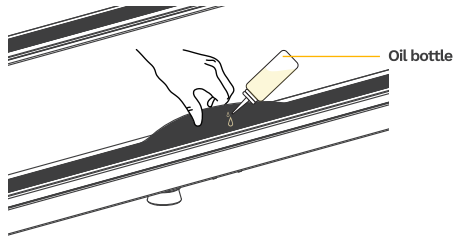
The treadmill has been lubricated before shipment. However, frequent check of lubricity of the treadmill helps keep it in the best condition. The treadmill must be lubricated after one year of use or 100 hours of running.

Each time when the treadmill is used for 30 hours or 30 days, pull up the running belt at the side and reach out your hand to touch the surface of the treadmill as far as possible. If you feel touching silicone oil, it is not necessary to add oil. If you feel high dryness, follow the instructions below to apply oil.

## Use non-petroleum silicone oil.

### ◆ Lubricating the treadmill:

- ①. Add oil on the surface below the running belt. (as shown in the figure below);
- ②. Cut a small opening on the oil bottle mouth for easy squeezing out oil;
- ③. Raise the running belt so that you can place the oil bottle to the bottom of the running belt and inject oil to the middle of the running board. Put down the running belt, press the oil filling port, and rotate the running belt to apply oil evenly on it;
- ④. Start the treadmill and wait one minute until oil is evenly distributed before using it.



## Maintenance

Clean the treadmill frequently to extend its service life.

1. When cleaning the treadmill, be sure to pull out the power cord from the socket to shut off the power.
2. Use a clean towel or wet cloth to wipe away sweat stains and debris from the dashboard and other parts.
3. Do not use corrosive goods or liquids to prevent electronic components from damage. Do not expose the electronic components to sunlight.
4. Clean up the ground once a week to remove the dirt brought by shoes and other debris.

# TROUBLESHOOTING

---

## Failures and solutions

This product is reliably designed and easy to use. In case of a problem, carefully read the solutions to the failures as described below.

**Failure:** No information is displayed on the screen.

**Solution:** Check whether the power cord is plugged in properly, whether the plug is loose, and whether the power switch is turned on.

**Failure:** Power outage during use.

**Solution:** Check whether the power cord is connected firmly and whether the overcurrent protector is disconnected.

**Failure:** Running belt is not centered.

**Solution:** Check whether the treadmill is placed on flat ground and whether the running belt is adjusted properly. Refer to the adjustment of running belt.

**If the problem in your treadmill is not included in the above, and you are not sure how to solve it, please contact us (Email: [Services@urevosports.com](mailto:Services@urevosports.com)) timely and do not handle it by yourself.**

# WARM-UP

---

Before walking on the machine, it is best to do stretch exercises. A successful exercise plan must include warm-up, aerobic and relaxing exercises. You should do exercises at least twice or three times a week and rest one day after exercise. A few months later, you can increase the times of exercise to four or five one week.

At the end of aerobic exercise, repeated warm-up can also reduce muscle soreness. We recommend the following warm-up and relaxation exercises.

1. Stretch down: Bend your knees slightly, bend your body slowly forward, relax your back and shoulders, and try your best to touch your toes. Hold for 10-15 seconds, then relax. Repeat three times.

It is shown in Figure 1.



Figure 1

2. Hamstring stretch: Sit on a clean seat cushion and straighten one leg. Tuck the other leg inward so that it is close to the inside of the straightened leg. Try to touch your toes with your hand. Hold for 10-15 seconds, then relax. Repeat three times on each leg.

It is shown in Figure 2.



Figure 2

3. Shank and tendon stretch: Lean your body forward with hands against the wall and take a step forward with your left leg. Straighten your right leg and step on the ground with your left leg; then bend your left leg, hold it for 10-15 seconds, and then relax. Repeat three times on each leg.

It is shown in Figure 3.



Figure 3

4. Head movement: Tilt your head to the right and count the number of one to feel the stretch of your left neck muscles; turn your head to the back and count the number of two; then turn your head to the left and count the number of three; finally turn your head back to lower forward on your breast and count the number of four. Relax and repeat three times.

It is shown in Figure 4.



Figure 4

5. Waist movement: Stretch your arms to the left and right, then slowly lift them over your head. Extend your right arm as far as possible to the ceiling, hold for one second, and feel the stretch of your right muscles. Repeat the same action on your left arm.

It is shown in Figure 5.



Figure 5

# WARRANTY

---

## MANUFACTURER'S LIMITED WARRANTY

UREVO warrants to the original purchaser that this product is free from defects in material and workmanship when used for the purpose intended, under the conditions that it has been installed and operated in accordance with UREVO Owner's Manual. UREVO 's obligation under this warranty applies to the following:

### COMPONENT LENGTH OF WARRANTY

Structural Frame 1 year For Home Use Only  
All Other Components 90 days For Home Use Only

### Exclusions from Warranty Coverage:

UREVO does not warrant against and is not responsible for, and no implied warranty shall be deemed to cover, any product failure, product malfunction, or damages attributable to:

1. Improper installation and/or failure to abide by UREVO 's installation guidelines;
2. Use of this product beyond normal home use, or in an application for which it was not designed;
3. Cosmetic items such as scratches, dents or discolorations;
4. Damage caused by normal wear and tear, vandalism, accidental or by animals;
5. Any act of Nature (such as fire, flooding, snow, ice, hurricane, earthquake, lightning or other natural disaster), environmental condition (such as air pollution, mold, mildew, etc.), or staining from foreign substances (such as dirt, grease, oil, etc.);
6. Normal weathering due to exposure to sunlight, weather and atmosphere which can cause colored surfaces to among other things, flake, chalk, accumulate dirt or stains.
7. Improper operation, alteration, handling, storage, abuse or neglect of the products.

**UREVO , using its sole discretion, will either repair or replace free of charge any part(s) proven to be defective under normal home use. Any repair or replacement shall provide no new warranty coverage, but shall retain only the remaining portion of the original product's warranty. This warranty is offered only to the original purchaser and is not transferable. Proof of original purchase is required.**

Replacement parts can be ordered by emailing our customer service department:

**[Services@urevosports.com](mailto:Services@urevosports.com)**

---

Open Monday thru Friday 8:00 AM - 5:00 PM (PST).

When ordering replacement parts please have the following information ready:

1. Order Number
2. Description of Parts(Add photos or videos would be helpful)
3. Part Number
4. Date of Purchase

**IMPORTANT:** Read all instructions carefully before using this product. Retain this owner's manual for future reference.

The specifications of this product may vary from this photo, subject to change without notice.

**Manufacturer:Shanghai Runmi Technology Co., Ltd.**

Address:15th Floor, Building 21B, No.1158, Zhongxin Rd, Songjiang district, Shanghai, P.R.China

Version: V4.0



**MADE IN CHINA**