



*VM 350*

FROM S/N 394023

# LIST OF THE EXPLODED VIEWS



*SHELL ASSY*

*COOLING SYSTEM*

*HYDRAULIC CIRCUIT*

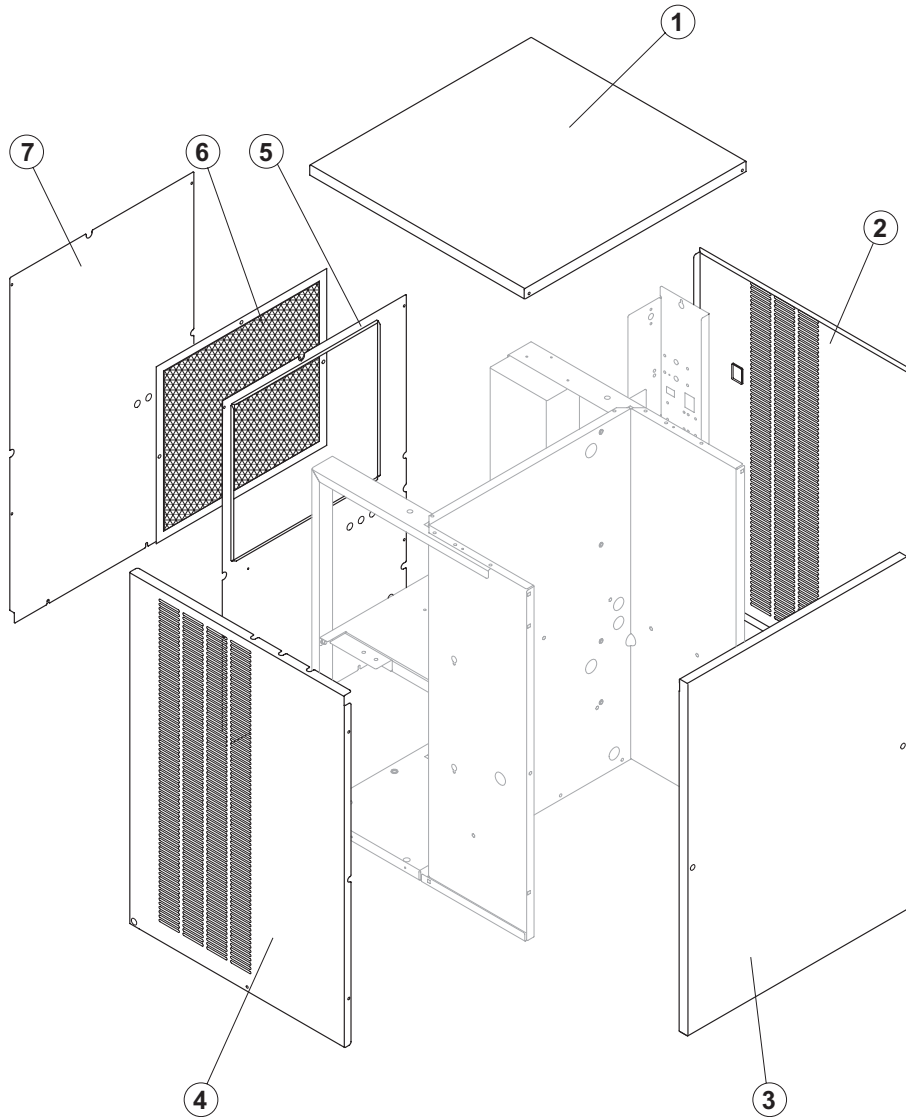
*SPRAYER PUMP*

*ELECTRICPARTS*



# VM 350

## SHELL ASSY



### Common Parts

Ref.	Spare Description	Code
1	Top Assembly	C221084
2	Right Side Panel	221075
3	Front Panel Assembly	C221077
4	Left Side Panel	221076

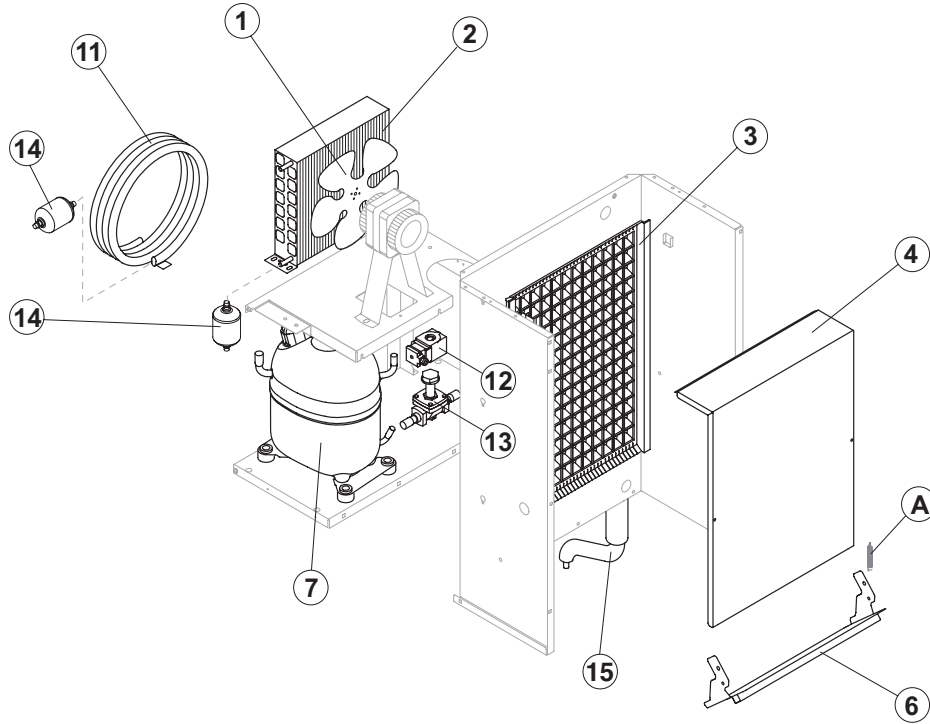
### Parts for Air-Cooled Version Only

Ref.	Spare Description	Code
5	Rear Panel	21329
12*	Filter	18163

### Componenti Solo Versione Acqua

Ref.	Spare Description	Code
7	Rear Panel	21331

Rev. 15 - 12/03/2019



### Common Parts

Ref.	Spare Description	Code
3	Evaporator	D10539
4	Evaporator Cover Panel	22798
6	Horizontally Hinged Panel	22801
7	Compressor	See Table
12*	Hot Gas Valve Coil	See Table
13*	Hot Gas Valve Body	20409
14*	Liquid Line Drier	14084
15	Suctin Line	for the spare parts code give us the s/n.

### Parts for Air-Cooled Version Only

Ref.	Spare Description	Code
1	Sucking Fan	20407
1	Sucking Fan	Only 110/115V 60 Hz 20671
2	Air Condenser	20884

### Parts for Water-Cooled Version Only

Ref.	Spare Description	Code
11	Water Condenser	14081



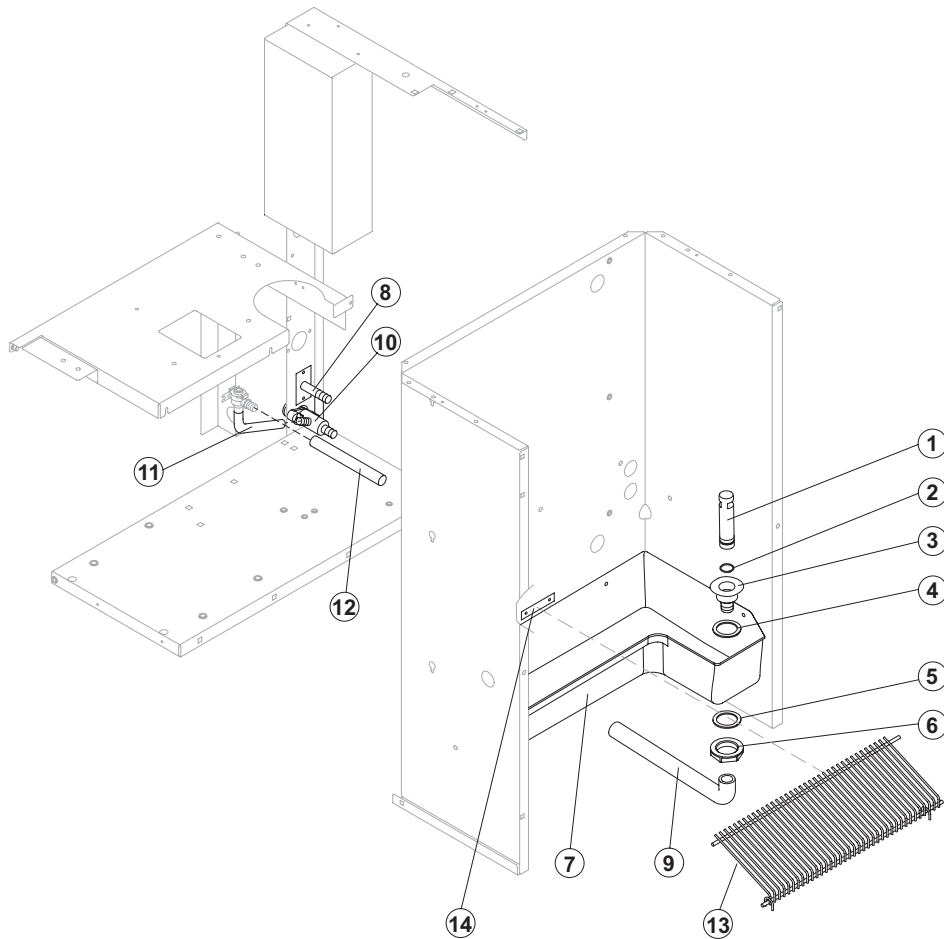
Eliminated the Spring (horizontally hinged panel) ref. A, suggested removal even from the models where they are present.

### Ref. 7 - Compressor

Voltage	Code
220-240V ~ 50Hz	23878
220-230V ~ 60Hz	23874
110-115V ~ 60Hz	23586

### Ref. 12\* - Hot Gas Valve Coil

Voltage	Code
220-240V ~ 50Hz	231294
220-230V ~ 60Hz	231294
110-115V ~ 60Hz	23256

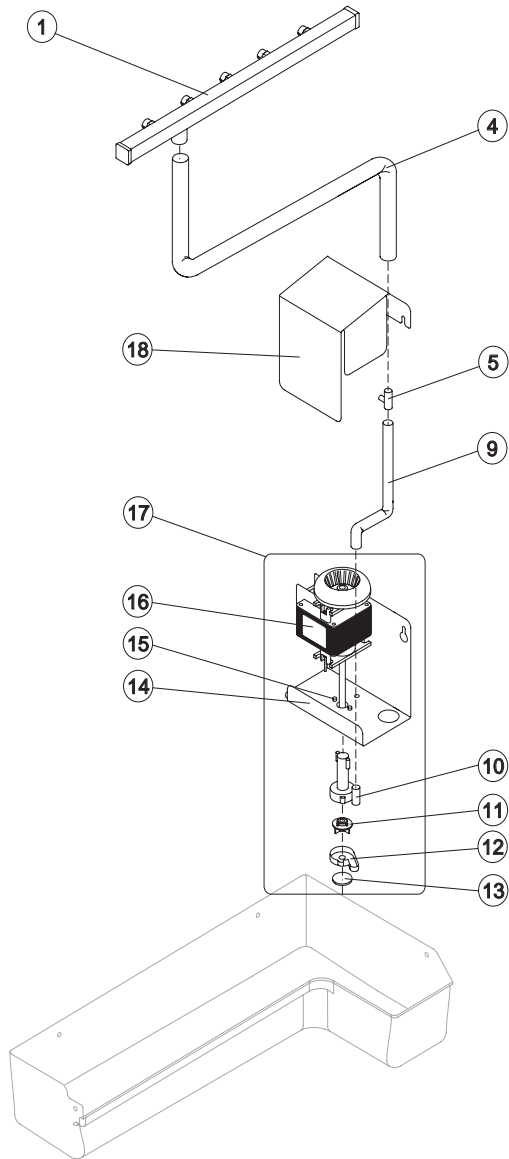


### Common Parts

Ref.	Spare Description	Code
1*	Overflow Pipe	10133
2*	OR Gasket for Overflow Pipe	20233
3	Overflow Pipe Nipple	10471
4	Silicone Gasket	13219
5	Semirigid Polyethylene Gasket	13007
6	Bin Discharge Nut	10096
7	Water Basin	10355
9	Overflow Pipe Nipple	13120
10	Drain Nipple	10431
11	Discharge Valve Connection Pipe - Discharge	13040
12	Discharge Valve Connection Pipe ("T" Shaped)	13102
13	Ice Cubes Slide	D12082
14	Slide Keep Plate	10142

### Parts for Water-Cooled Version Only

Ref.	Spare Description	Code
8	Connection with Plate	C20462



Ref.	Spare Description	Code
1*	Sprayers Bar assembly	C20653
4	Sprinkler Bar Connection Pipe ("T" Shaped)	13134
5	Plastic "T" ø 20	10082
9	"T" - Pump Connection Pipe	13113
10	Pump Body	10065
11	Pump Impeller	10138
12	Diffusor	10067
13	Pump Filter	20518
14	Pump Motor Support	22799
15	Pump Motor Shim	20510
16	Pump	See Table
17*	Pump Assembly	See Table
18	Protection Pump Panel	22804

### Ref. 16 - Pump

Voltage	Code
220-240V ~ 50Hz	R23073
220-230V ~ 60Hz	23187
110-115V ~ 60Hz	23188

### Ref. 17\* - Pump Assembly

Voltage	Code
220-240V ~ 50Hz	C23607
220-230V ~ 60Hz	C23616
110-115V ~ 60Hz	C23617



# VM 350

## ELECTRIC PARTS

### Common Parts

Ref.	Spare Description	Code
1*	Timer	See Table
2	"Cleaning" Switch	23619
3*	Green Light Switch (On-Off)	23327
4*	Bin Thermostat	R23005
5*	Evaporator Thermostat	R23591
6*	Contactors	See Table
9*	1 Way- Water Inlet Valve	See Table
10*	Water Outlet Valve	See Table
11*	Condenser Pressure Switch	23175
12	Safety Pressure Switch	23342

### Parts for Air-Cooled Version Only

Ref.	Spare Description	Code
7	Anti Radio Interference Filter	Only T11 C23459
13*	Fan Motor	See Table

### Componenti Solo Versione Acqua

Ref.	Spare Description	Code
7	Anti Radio Interference Filter	Only T11 C23457
8*	1 Way- Water Inlet Valve	See Table

#### Ref. 1\* - Timer

Voltage	Code
220-240V ~ 50Hz	23635
220-230V ~ 60Hz	23632
110-115V ~ 60Hz	23636

#### Ref. 6\* - Contactor

Voltage	Code
220-240V ~ 50Hz	23594
220-230V ~ 60Hz	23594
110-115V ~ 60Hz	231088

#### Ref. 8\* - 1 Way- Water Inlet Valve

Voltage	Code
220-240V ~ 50Hz	23220
220-230V ~ 60Hz	23220
110-115V ~ 60Hz	23631

#### Ref. 9\* - 1 Way- Water Inlet Valve

Voltage	Code
220-240V ~ 50Hz	23787
220-230V ~ 60Hz	23787
110-115V ~ 60Hz	23281

#### Ref. 10\* - Outlet Water Valve

Voltage	Code
220-240V ~ 50Hz	23537
220-230V ~ 60Hz	23537
110-115V ~ 60Hz	23637

#### Ref. 13\* - Fan Motor

Voltage	Code
220-240V ~ 50Hz	23121
220-230V ~ 60Hz	23121
110-115V ~ 60Hz	23621

Rev. 15 - 12/03/2019

