



Modular ice maker - Sprayer system Daily production up to 160 kg

| | |
|---------------|----------------------|
| Hotel | ████████████████████ |
| Restaurant | ████████████████████ |
| Fast food | ████████████████████ |
| Bar | ████████████████████ |
| Disco | ████████████████████ |
| Fish market | ████████████████████ |
| Supermarket | ████████████████████ |
| Medical & SPA | ████████████████████ |
| Industry | ████████████████████ |

► Position n°



► Features & Plus

- Compact and crystal cube
- AISI 304 SS Scotch Brite finish
- Tropical class +43°C
- Removable and cleanable air filter
- Air or water cooling system
- Easy cleanable internal rounded surfaces
- RoHS Free
- Electromechanical operation
- ON-OFF rocker switch
- Standard and special voltages



AISI 304 SS
Scotch Brite finish

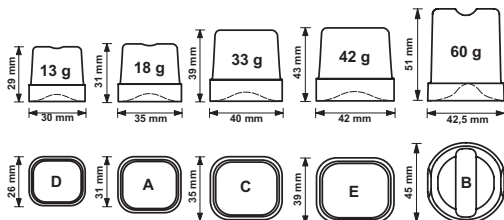


Removable and
cleanable air filter

► Usable Bins

- Bin 240PE
- Bin 200
- Bin 350

► Available ice cube size



► Prod. 24h

| Air temp. | Water temp. | | Kg | Lbs |
|-----------|-------------|-------|-----|-----|
| | 10° C | 45° F | | |
| 10° C | 45° F | 7° C | 160 | 353 |
| 21° C | 70° F | 15° C | 155 | 342 |

2 Years Warranty
subject to limitations

► Certifications available for this model



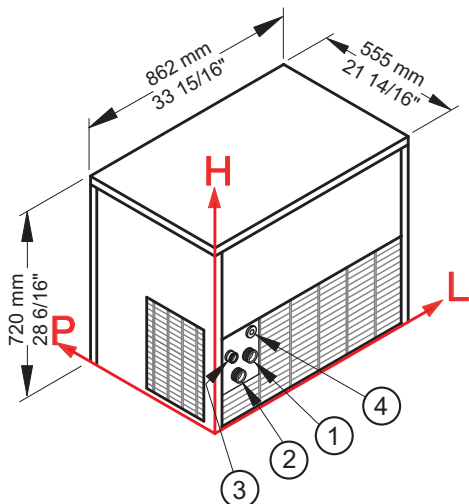


Ice Cube

C 150



Modular ice maker - Sprayer system Daily production up to 160 kg



► Working conditions

- Location: **Indoor**

| | Min | Max |
|----------------------|-----------------|-----------------|
| Ambient temperature | +10° C / +50° F | +43° C / 110° F |
| Water temperature | +3° C / +37° F | +32° C / +90° F |
| Voltage | -10% | +10% |
| Water inlet pressure | 1bar (14 psi) | 6bar (84 psi) |

► Performances

| | Air temperature | Water temperature | | | | | |
|--|-----------------|-------------------|---------|--------|---------|--------|---------|
| | | 7° C | 45° F | 15° C | 60° F | 21° C | 70° F |
| | 10° C | 160 kg | | | | | |
| | 50° F | | 353 lbs | | | | |
| | 21° C | | | 155 kg | | | |
| | 70° F | | | | 342 lbs | | |
| | 32° C | | | | | 132 kg | |
| | 90° F | | | | | | 291 lbs |

► Connections

All measures are referred to the down-left corner (L-H-Ø)

- ① Water in.: 126 mm / 4 15/16" - 284 mm / 11 3/16" - 3/4"
- ② Cond. water in.: 94 mm / 3 11/16" - 234 mm / 9 3/16" - 3/4"
- ③ Water out.: 69 mm / 2 11/16" - 297 mm / 11 11/16" - 24 mm / 15/16"
- ④ Electrical connections: 140 mm / 5 8/16" - 355 mm / 14"

► Technical information

| | | | |
|---------------------------|--|----------------------------|--|
| Production in 24h | 155 kg / 342 lbs | Water consumption | A: 2,6 l/kg - 31,1 gal/100 lbs W: 13 l/kg - 155,8 gal/100 lbs |
| Cooling system | A - W | Sizes (L-P-H mm) | 862 - 555 - 720 |
| Kind of cube | A-18g, C-33g, D-13g, E-42g, B-60g | (L-P-H in) | 33 15/16 - 21 14/16 - 28 6/16 |
| Refrigerant | R452A | Sizes with pack (L-P-H mm) | 910 - 605 - 955 |
| Standard voltage | 220-240 V ~ 50 Hz | (L-P-H in) | 35 13/16 - 23 13/16 - 37 10/16 |
| Average power consumption | 1400 W | Net weight | 118 kg / 260 lbs |
| Fuse | 16 A | Gross weight | 128 kg / 282 lbs |
| Finish | AISI 304 stainless steel, scotch brite | | |

All the technical information need to be considered at the following conditions:

- Standard Cube (18 g)
- Ambient temperature +21° C
- Water temperature +15° C
- Average power consumption at +43° C (standard voltage)

Models and specifications are subject to change without notice

Rev. 00 - Issued March 2021



www.bremaice.it
info@bremaicegroup.it

We are Brema

