



CB 249

# LIST OF THE EXPLODED VIEWS



SHELL ASSY

COOLING SYSTEM

HYDRAULIC CIRCUIT

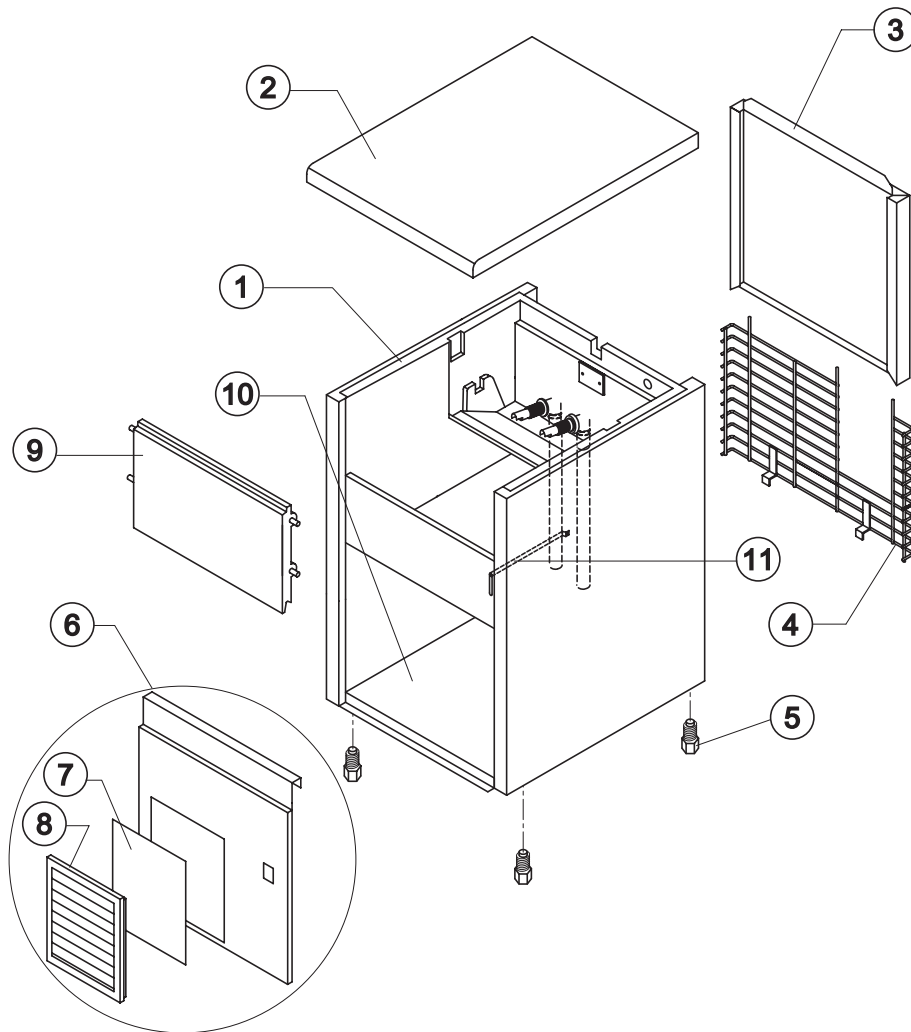
ELECTRIC PARTS

Rev. 10 - 16/01/2015



# CB 249

# SHELL ASSY



Ref.	Spare Description	Code
1	Foamed Cabinet Assy	See Table -
2	Top Assembly	C22693
3	Rear Panel Assembly	C21181
4	Rear Grid	D12002
5	Foot	Current Version 10557
5	Foot	Till s/n. 708711 10017
6	Front Grid Panel	C22506
7*	Filtering Panel	18106
8	Frame + Grid & Filter	C10205
9	Door Assembly	C10303
10	Base Plate	21001
11	Bulb-holder Pipe	20520

### Ref. 1 - Foamed Cabinet Assy

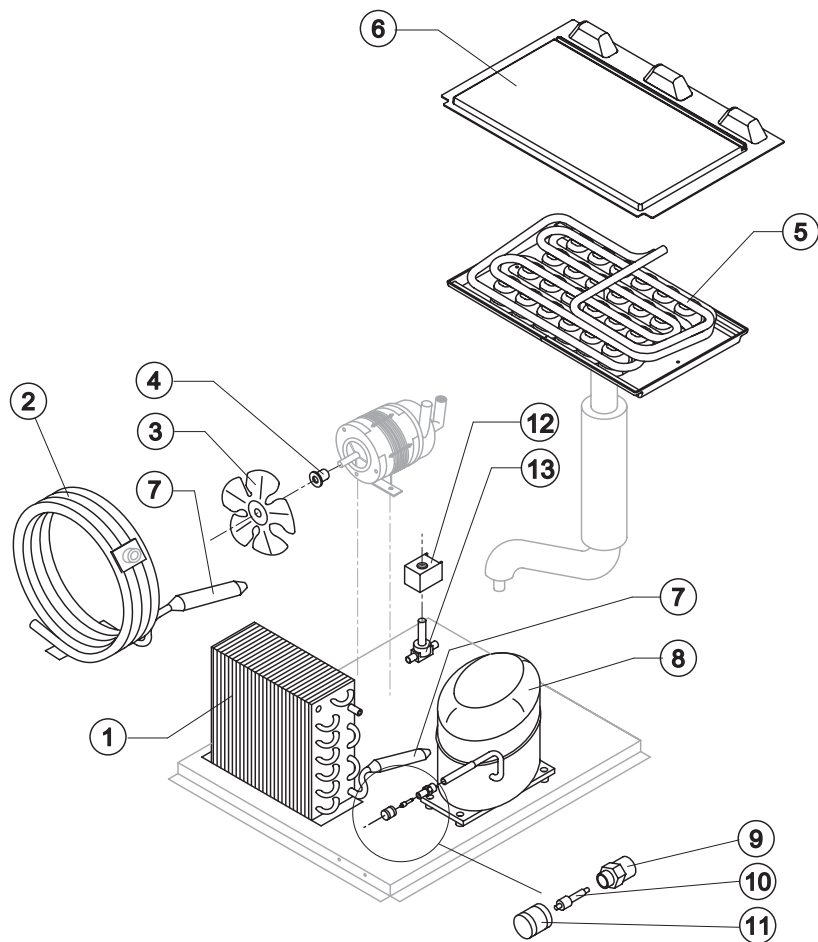
Condensation	Code
Air	RC11041A
Water	RC11041W

Rev. 10 - 16/01/2015



# CB 249

# COOLING SYSTEM



### Common Parts

	Spare Description	Code
3	Sucking Fan	10213
4	Fan Fixing Hub	10014
5	Evaporator	See Table
6	Evaporator Cover Panel	from s/n. 225018
7*	Molecular Drier	14009
8	Compressor	Vedi Tabella
9	Vacuum-Charge Valve Body	14007
10*	Vacuum-Charge Valve Device	14005
11*	Vacuum-Charge Valve Plug	14006
12*	Hot Gas Valve Coil	See Table
13*	Hot Gas Valve Body	20410

### Parts For Air-Cooled Version Only

Ref.	Spare Description	Code
1	Air Condenser	20534

### Parts For Water-Cooled Version Only

Ref.	Spare Description	Code
2	Water Condenser	14057

### Ref. 5 - Evaporator

Kind of Cube	Code
18 g. (Standard)	D10045
33 g.	D10320
13 g.	D10416

### Ref. 8 - Compressor

Voltage	Code
T11	23985
T12	23494A
T13	231036
T19	231036

### Ref. 12\* - Hot Gas Valve Coil

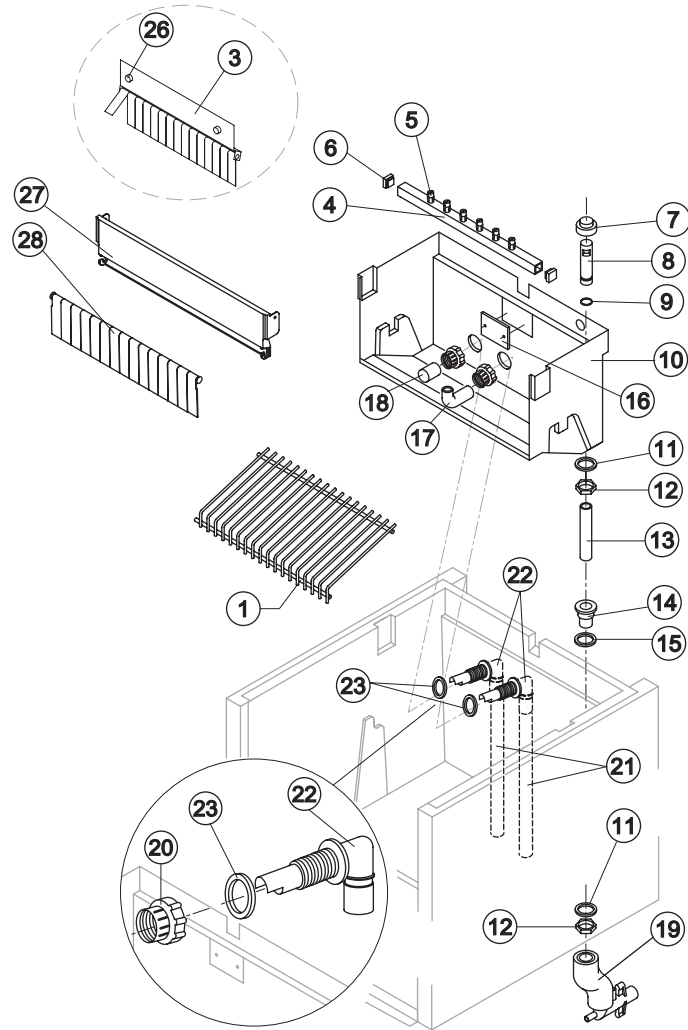
Voltage	Code
T11	23091
T12	23091
T13	23256
T19	23256

Rev. 10 - 16/01/2015



# CB 249

# HYDRAULIC CIRCUIT



### Common Parts

Ref.	Spare Description	Code
1	Ice Cubes Slide	See Table
3	Panel with Flags	Till s/n. 378995
4*	Sprayers Bar Assembly	See Table
5	Sprayer	D20002
6	Sprayer Bar Plug	10012
7*	Overflow Cap	10305
8*	Overflow Pipe	10133
9*	OR Gasket for Overflow Pipe	20233
10	Inner Basin	10252
11	Semirigid Polyethylene Gasket	13007
12	Bin Discharge Nut	10096
13*	Overflow Pipe	13106
14	Water Outlet Nipple	10472
15	Silicone Gasket	13006
16	Slide Keep Plate	10009
17	Sprayers Feeding Pipe	13005
18*	Pump Suction Filter	20005
20	Fittings Locking Ring	10405
21	Pump Suction/Delivery Pipe	13137
22	Fitting of the Pump Suction/Delivery Pipes	10404
23	Gasket for Pump Suction/Delivery Pipes	13143
26	Fixing Screw	Till s/n. 378995
27	Flags ABS Support	Current Version
28	Rod with Flags	Current Version

Rev. 10 - 16/01/2015

#### Ref. 1 - Ices Cube Slide

Kind of Cube	Code
18 g. (Standard)	D12001
33 g.	D12066
13 g.	D12046

#### Ref. 4\* - Sprayers Bar Ass.

Kind of Cube	Code
18 g. (Standard)	C20028
33 g.	C20530
13 g.	C20289

#### Parts for Air Cooled Version Only

Ref.	Spare Description	Code
19	Discharges Manifold	C10006

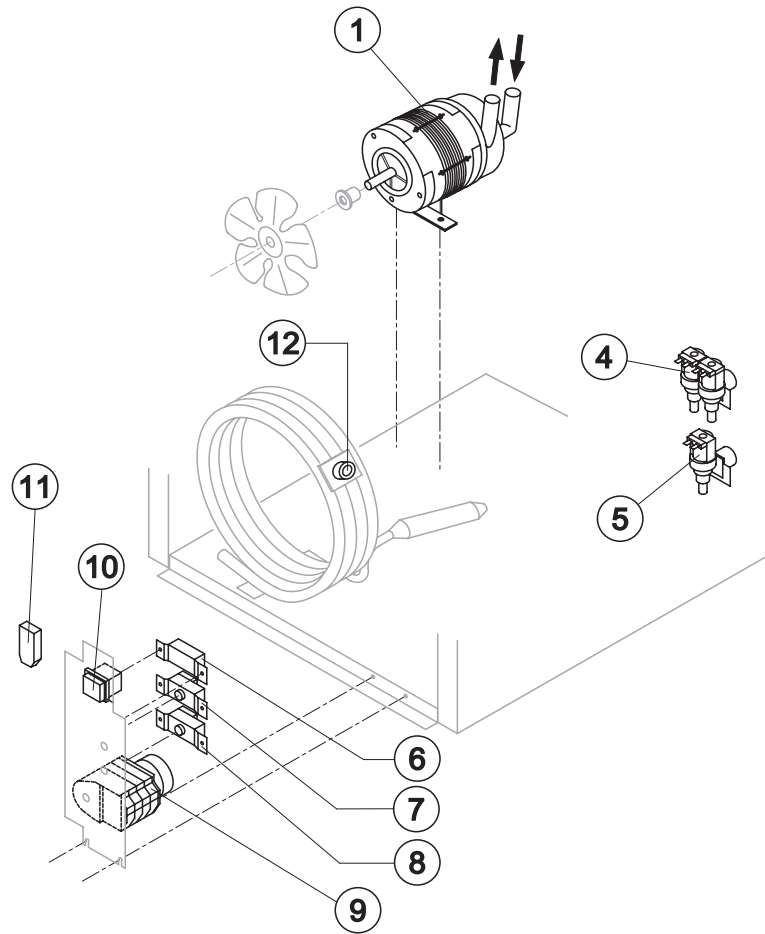
#### Parts for Water Cooled Version Only

Ref.	Spare Description	Code
19	Discharges Manifold	C26452



# CB 249

# ELECTRIC PARTS



### Common Parts

Ref.	Spare Description	Code
1*	Pump Assy	See Table
7*	Bin Thermostat	R23005
8*	Evaporator Thermostat	R23591
9*	Timer	See Table
10*	Green Light Switch (On-Off)	23327

### Parts for Air Cooled Version Only

Ref.	Spare Description	Code
5*	1 Way- Water Inlet Valve	See Table

### Parts for Wayer Cooled Version Only

Ref.	Spare Description	Code
4*	2 Ways Water Inlet Valve	See Table
6*	Condenser Pressure Switch	See Table
11	Anti Radio Interference Filter	Only T11
12*	Safety Thermostat	C23114

Rev. 10 - 16/01/2015

#### Ref. 1\* - Pump Assy

Voltage	Code
T11	C23377
T12	C23377
T13	C23663
T19	C23663

#### Ref. 4\*-2 Ways- Water Inlet Valve Ref. 5\* - 1 Way- Water Inlet

Voltage	Code
T11	23542
T12	23542
T13	23592
T19	23592

Voltage	Code
T11	23497
T12	23497
T13	23499
T19	23499

#### Ref. 6\* - Cond. Pressure

Voltage	Code
T11	23175
T12	23175
T13	23175
T19	23680

#### Ref. 9\* - Timer

Voltage	18g Cube	33g Cube	13g Cube
T11	23222	23248	23247
T12	231078	231080	231077
T13	23259	23786	23258
T19	23259	23786	23258