

*designer series*



# SEAGULL<sup>®</sup> IV

General Ecology, Inc.



drinking  
water  
purifiers



*the pure science of safe water*



Pure water is a necessary luxury for a healthy lifestyle. Seagull®IV "Designer Series™" water purifiers offer this luxury at the convenience of your fingertips. Most people install General Ecology Seagull IV Purifiers for superb quality water for proper hydration and for preparing gourmet quality food and beverages. But Seagull IV offers an additional significant advantage over other drinking water systems...it purifies water microbiologically to the EPA Guide Standard against bacteria, cysts and viruses. A possible critical advantage in times of emergency... without adding chemicals and without needing electricity. Ecologically compatible and virtually maintenance free, it has never been so simple to add purity to your life...

Seagull IV drinking water purifiers.



*General Ecology, Inc. started with a single objective – to create an ideal water purification technology with an ecological and healthful balance. Developed by multi-disciplined scientists and engineers to protect against modern environmental and ecological waterborne problems, "Structured Matrix™" purification technology combines truly advanced concepts and purification techniques not available from any other product.*

*The outstanding success of "Structured Matrix" purification technology is continually evidenced by unexcelled laboratory tests and by over 30 years of customer satisfaction through service to a wide range of sophisticated users worldwide. General Ecology, Inc. continues to meet and surpass our goals ensuring that our customers receive the many benefits of refreshingly pure, great tasting, and safe water.*

---

### *Seagull IV Water Purifiers...*

#### **TOP QUALITY BENEFITS**

"Structured Matrix" chemical-free purification technology, large capacity, compact size, 100% quality inspected.

#### **LOW COST, RELIABLE OPERATION**

Pennies per day. Operates solely from pressurized water system and requires no chemicals, post treatment storage tanks, cartridge brushing, brines, wastewater lines or electricity.

#### **"LTF™" lifetime finish SERIES**

All ports and "LTF" faucets feature a hard, gold color finish for exceptional beauty as well as durability.

*...a necessary luxury at an economical price*

*elegantly styled scientifically engineered precision manufactured*

**SEAGULL IV X-2KF (Chrome finish)**



**Part No. 830501**  
2 GPM Drinking Water Purifier with LTF lifetime finish ports, Esprit™ designer faucet, RS-2SG cartridge, installation kit and mounting hardware.

*Faucet model also available in 1 GPM size:  
Part #830509 (Seagull IV X-1KF)*

**SEAGULL IV X-2KF (LTF™ Gold finish)**



**Part No. 830503**  
2 GPM Drinking Water Purifier with LTF lifetime finish ports, "LTF Gold" Esprit™ designer faucet, RS-2SG cartridge, installation kit and mounting hardware.

**SEAGULL IV X-2KB**



**Part No. 800000**  
2 GPM Basic Drinking Water Purifier installed inline, with LTF lifetime finish ports, RS-2SG cartridge, installation kit and mounting hardware.

**NEW!**

Ask about another great Seagull IV System...  
**Seagull IV X-2K Water Purifiers with ACCUFLOW™ Capacity Monitor**  
2 GPM Water Purifiers featuring an innovative, highly accurate flow rate and volume device that continuously displays cartridge status, assuring optimal purification capability.



**Here's how "Structured Matrix™" technology purifies your water without using chemicals:**

**ULTRAFINE MICROTRAINING**

physically removes disease bacteria, pathogenic cysts like Giardia, Cryptosporidia, and other specific parasites and debris down to 0.1 microns (0.4 absolute). Removing the pathogens also removes the disease causing toxins they contain and is far superior to "poisoning" organisms with pesticides and allowing the pathogen residue, toxins and pesticides to remain in the water to be consumed.

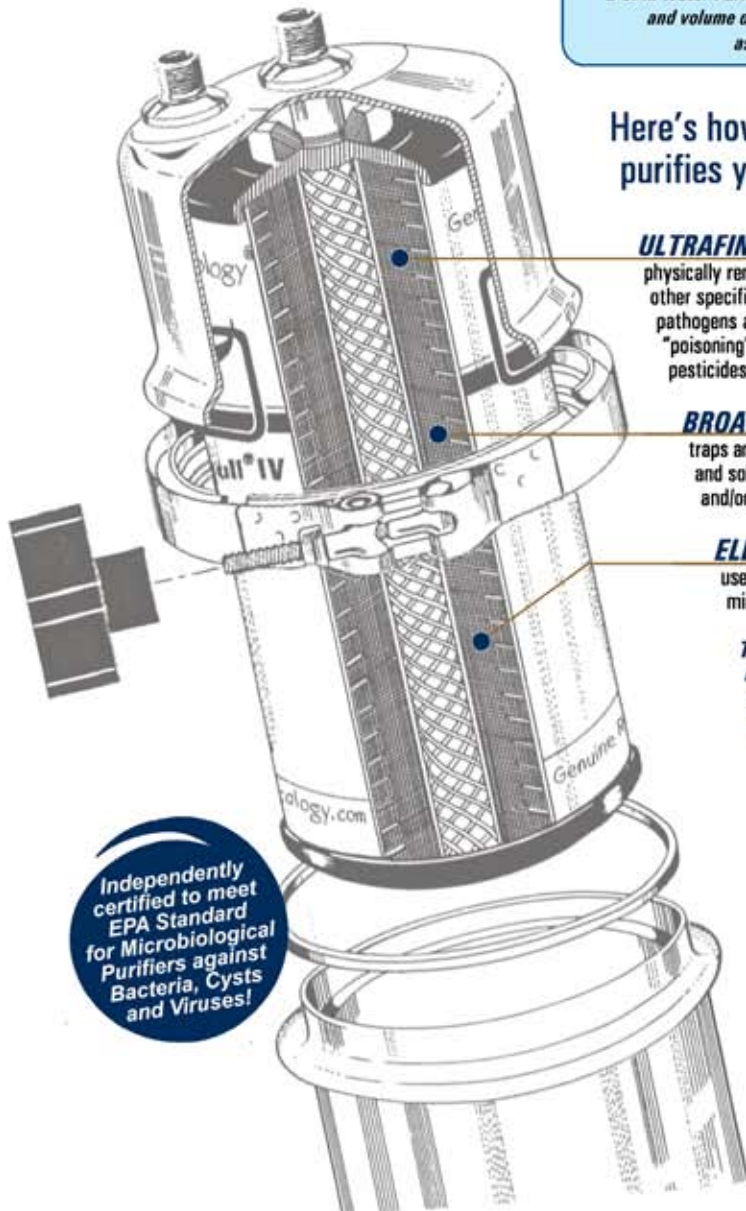
**BROAD SPECTRUM MOLECULAR CAPTURE**

traps and captures specific organic and other chemicals such as pesticides, herbicides and solvents, as well as chlorine and other trace contaminants that can be toxic and/or carcinogenic, along with foul taste, odor, and color.

**ELECTROSTATIC REMOVAL**

uses specially charged space-age surfaces, essentially as magnets, to remove minute particles, molecules and colloids suspended in the water.

*These purification mechanisms all work together to naturally and ecologically remove contaminants from your drinking water. With a Seagull IV water purifier, you don't have to drink chlorine or other pesticides to gain protection.*



**Independently certified to meet EPA Standard for Microbiological Purifiers against Bacteria, Cysts and Viruses!**

**REPLACEMENT CARTRIDGE**



Seagull IV replacement cartridge, with an average capacity of 2,000 gallons, features a pre-filter wrap that provides an additional layer of protection to General Ecology's proprietary 3-stage purification process.

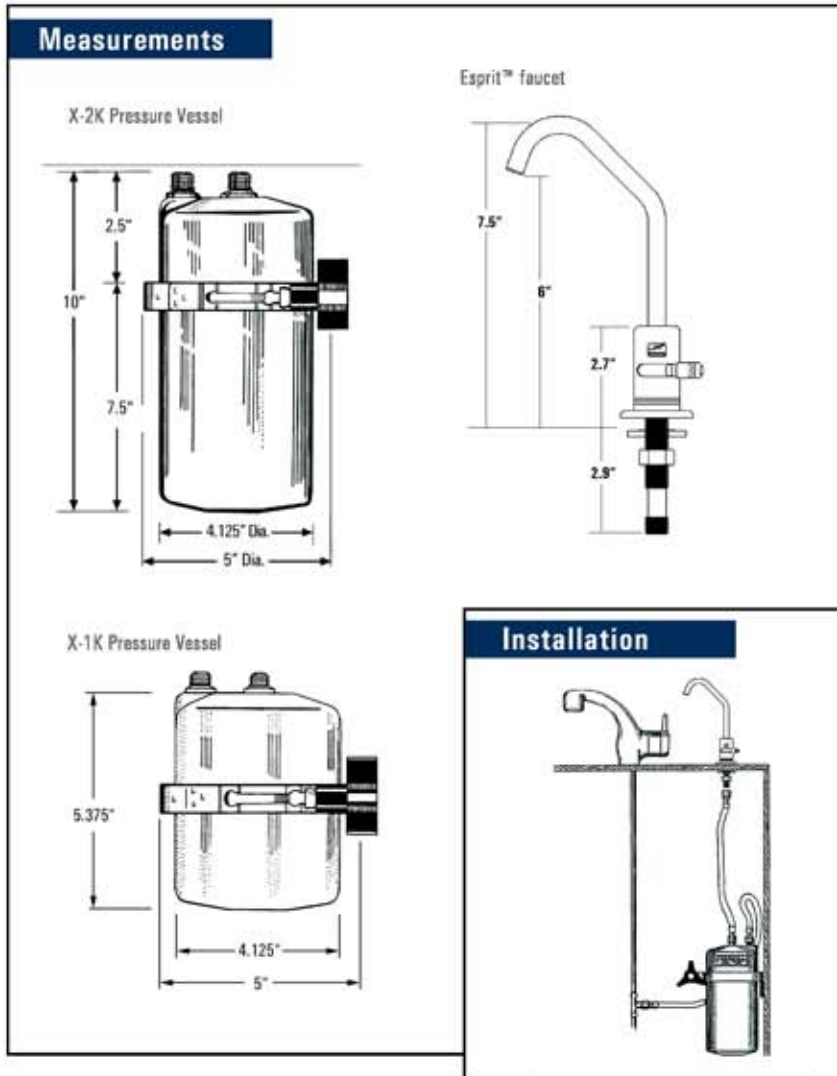
RS-2SG.....Part #789000

Technical Specifications	X-2KB / X-2KF	X-1KF
Flow Rate in Gallons (Liters) per min .....	2.0 (7.6)	1.0 (3.8)
Capacity, Avg. in Gallons (Liters) .....	2,000 (7,600)	1,000 (3,800)
Particle Retention Nominal (Absolute) .....	0.1 (0.4 Micron)	same
Temperature Range Deg. F (C) .....	33 (0.5) to 100 (38)	same
Operating Pressure (min psi/max psi) .....	25 / 125	same
Pressure Vessel Material .....	300 Stainless Steel	same
Cartridge Type .....	RS-2SG	RS-1SG

All General Ecology® purifiers are manufactured in the USA from the finest materials available. For example, Seagull®IV housing is made from 300 series stainless steel for extreme durability and long life.

General Ecology, Inc. backs each Seagull IV purifier with an unprecedented 10 year manufacturer's warranty.

Additionally, we manufacture our own ports and lifetime ceramic disc faucets to give you years of dependability and trouble-free service.



**UNSURPASSED QUALITY**

100% of our cartridges are checked for proper pressure gradient and every production lot is subjected to rigorous bacterial, chromatographic and physical tests.



General Ecology's customer list comprises many sophisticated sectors including national and international airlines, government agencies, military and emergency preparedness organizations, professional outfitters, scientists, research laboratories, medical research teams and major corporations.

*distributed by:*

**General Ecology, Inc.**  
 151 Sheree Boulevard, Exton, PA 19341  
 Ph: 610-363-7900 Fax: 610-363-0412  
 e-mail: info@generalecology.com  
 www.generalecology.com

**General Ecology Europe Ltd.**  
 26 Brighton Road Crawley, RH10 6AA U.K.  
 Ph: +44.(0)1293.400644 Fax: +44.(0)1293.539022  
 e-mail:sales@generalecologyeurope.com

**800-441-8166** E.S.T.  
 www.generalecology.com



Call for a local dealer  
 MADE IN USA