

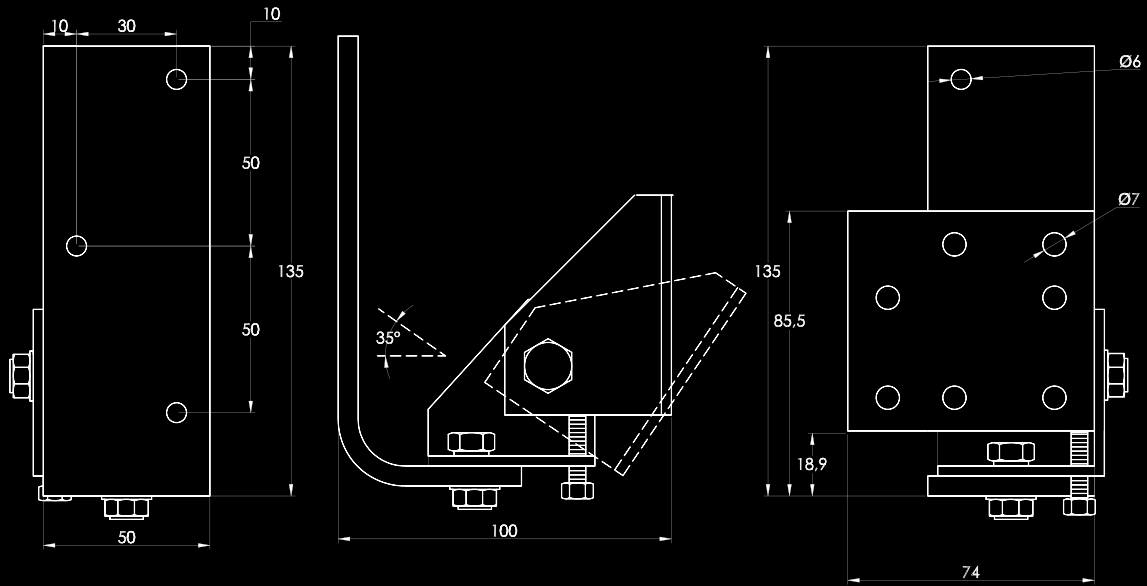
# BRACKET USER GUIDE

Compatible with:



**result6**  
DBI Gold





Dimensions shown in millimetres

# Introduction

Thank you for choosing our loudspeaker bracket. This guide provides installation instructions for best results with our **result6**, **twotwo5**, **twotwo6** & **DB1 Gold** loudspeakers – this bracket is not suitable to mount a **twotwo.8** loudspeaker.



Packing materials can pose danger to animals, the young and vulnerable. Ensure these items are kept or disposed of safely.



Please retain your packaging for future use as all PMC cartons are durable, reusable and can be employed to safely transport your loudspeakers should they be relocated or returned for servicing.



PMC will take no responsibility for poor installation of this product, this product should be installed by a trained professional.

# Safety instructions



## **Caution**

Do not attempt to install this product until all instructions and warnings have been read and properly understood. Please keep these instructions for future reference. PMC and its representatives are not liable or responsible for damage or injury caused by improper installation.

## **General**

PMC recommend a certified installer or other suitably qualified person install this product. Great care must always be taken during installation as most AV equipment is of a fragile nature, possibly heavy and easily damaged if dropped. If you do not fully understand the instructions or are not sure how to install this product safely, then please consult a professional for advice and/or to install this product for you. Failure to mount this product correctly may cause serious injury or death both during installation and at any time thereafter.

## **Product location**

Please pay careful attention to where this product is located. Some surfaces are not suitable for installation.

# Installation safety instructions

## **Wall or substrate**

If installed on drywall it must be securely fixed to a wooden stud, concrete block or other permanent structure behind the drywall board. Installing on drywall boards alone will not support the weight of a PMC product. When drilling holes in walls it is essential to avoid contact with electrical cables and water or gas pipes contained within. Use of a good quality wire detector and hidden object locator is therefore recommended. Only drill into structures when you are sure it is safe to do so.

## **Fixing hardware**

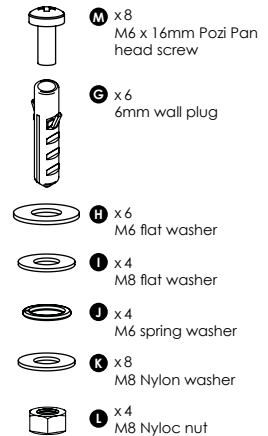
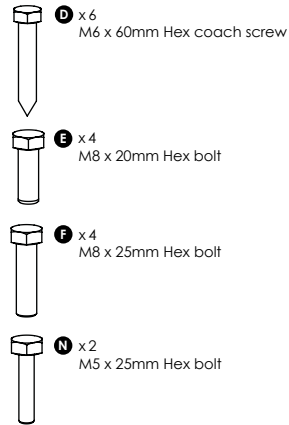
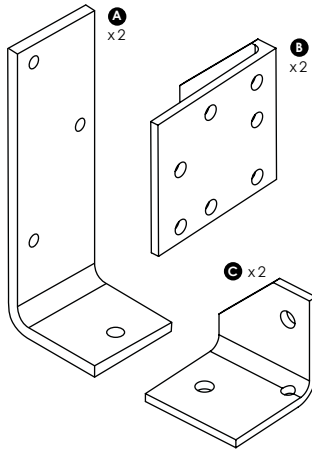
It is recommended that all wall fixing screws be used where supplied and that the purpose of all other fixing hardware is fully understood. In some cases more AV equipment fixing hardware will be supplied to accommodate different models of equipment and set up configurations.

## **Hazard limitation**

Some products have moving parts and the potential to cause injury through the crushing or trapping of fingers or other body parts. It is recommended that periodic inspections of the product and its fixing points are made as frequently as possible to ensure that safety is maintained. If in doubt consult a professional installer or other suitably qualified person.

# What's in the box

- A** 2 x 'L' shaped wall plate
- B** 2 x Speaker plate
- C** 2 x Vertical adjustment plate
- D** 6 x M6 x 60mm Hex coach screw
- E** 4 x M8 x 20mm Hex bolt
- F** 4 x M8 x 25mm Hex bolt
- G** 6 x wall plug
- H** 6 x M6 flat washer
- I** 4 x M8 flat washer
- J** 4 x M6 spring washer
- K** 8 x M8 Nylon washer
- L** 4 x M8 Nyloc nut
- M** 8 x M6 x 16mm Pozi Pan head screw
- N** 2 x M5 x 25mm Hex bolt



# Tools required (not supplied)



Drill



Hammer



Pozi screwdriver



Spanners  
(10mm & 13mm)



Detector  
(Optional)

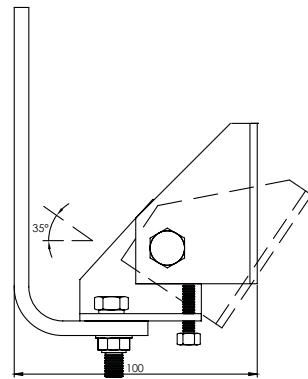
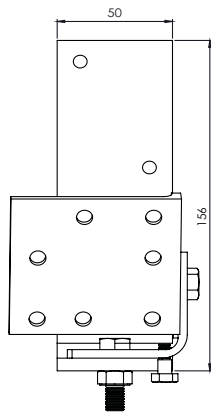
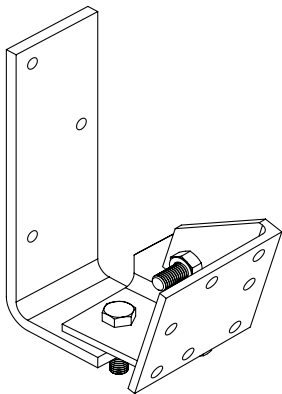


Level





# Fully assembled bracket



Dimensions shown in millimetres

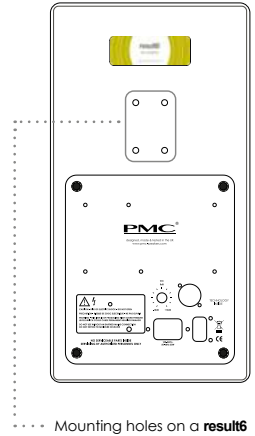
# Anchor points

NB

Please use the supplied M6 x 16mm Pozi Pan headed screws supplied, the result of using a longer screw could cause damage to the cabinet or electronics inside the cabinet.

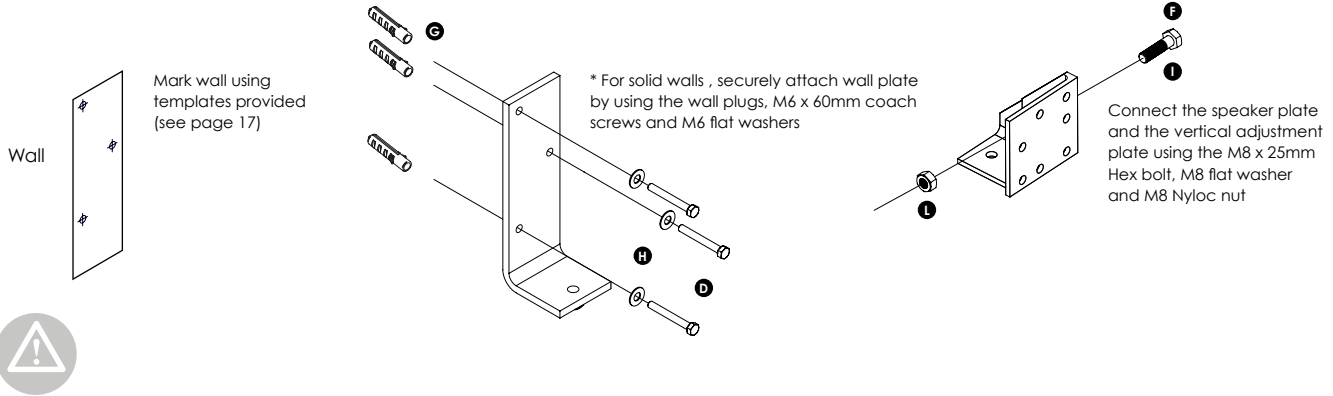


Only use the M6 x 16mm Pozi Pan headed screws supplied



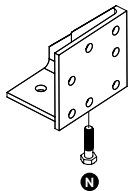


# Installation

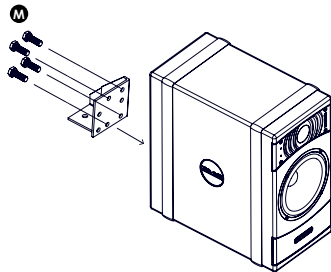


\*Ensure careful attention is taken when installing. If this product is installed on drywall it must be securely fixed to a wooden stud, concrete block or other suitable structure. Installing on drywall alone will not support the weight of the product.

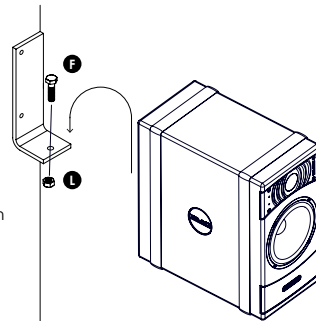
# Installation



Thread the M5 x 25mm Hex bolt into the base of the vertical adjustment plate by 3 rotations



Attached the assembled plate to the rear of the monitor using the M6 x 16mm Pozipan headed screws



Lift the monitor with the plate attached and secure to the wall bracket using the M8 x 25mm Hex bolt and the M8 Nyloc nut



When drilling for fixing it is essential to avoid contact with electrical cabling, water and gas pipes contained within the walls. Only drill into structures when you are sure it is safe to do so. This bracket is intended for wall mounting only.

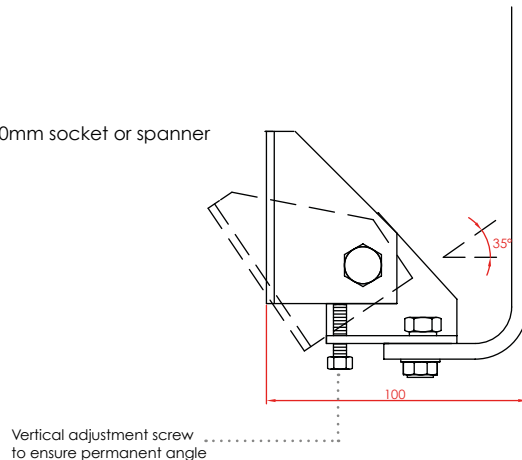
# Adjustment

NB

The bracket has the ability to be adjusted vertically by  $-35^{\circ}$  this can be done by using a 10mm socket or spanner (not included) as indicated below.

It can also be adjusted horizontally by  $\pm 30^{\circ}$  allowing for greater flexibility.

The vertical adjustment screw should be adjusted for the ideal vertical tilt.



# Positioning

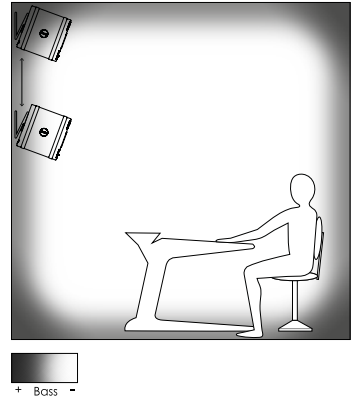
## Bass / LF

Solid boundaries (i.e. walls, ceilings and floors) reflect sound and help to contain it within a room. They make a speaker sound louder the closer they are to them, especially in the low frequency (bass) region.

This diagram shows the areas, that if a speaker is positioned, will either increase or decrease bass – The darker the shading the more bass will be heard.

Placing the speakers in the corners will generate the most bass.

Fine tuning for perfect bass



# Service

We are confident your PMC product will afford a trouble-free installation.

However for any issues that might arise, or for advice and service requirements, the primary point of contact should be your knowledgeable and authorised PMC dealer/distributor.

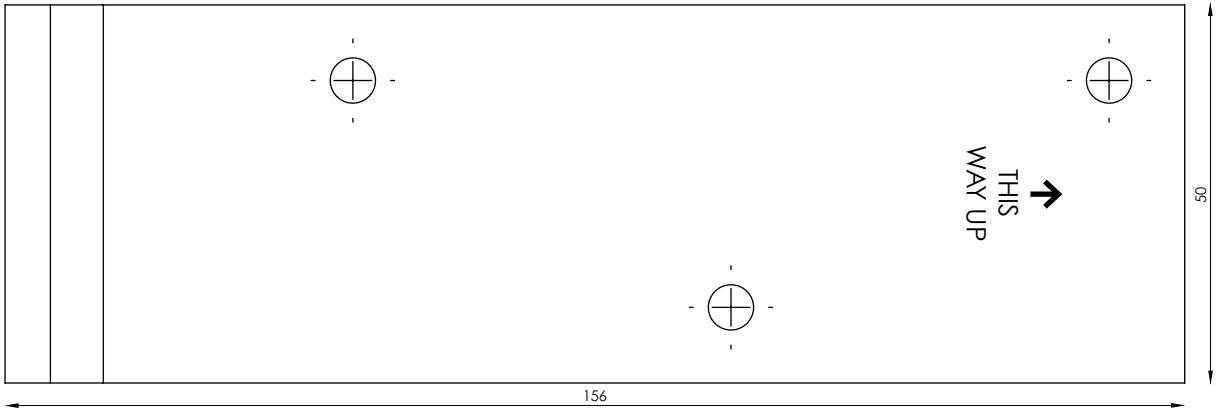
If you do not have a local representative please see [www.pmc-speakers.com](http://www.pmc-speakers.com) and click on 'where to buy'.



Please do not return any products to PMC directly without first contacting our service department.

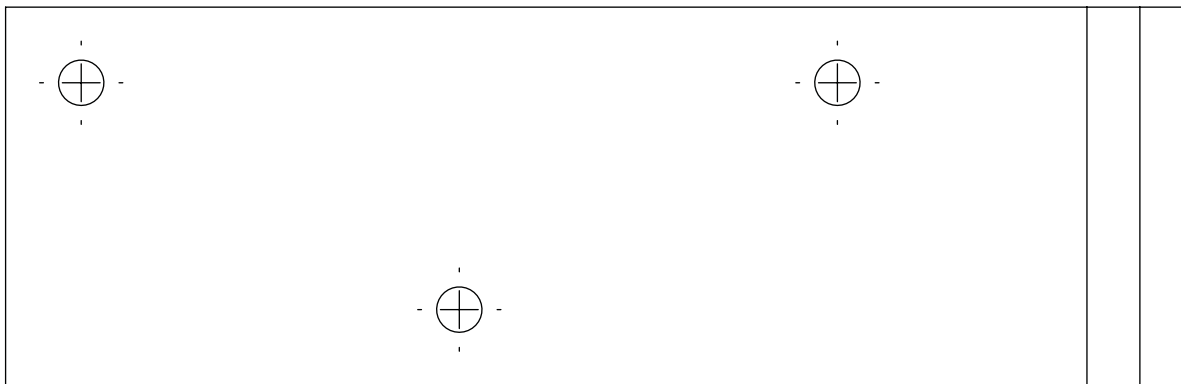


# Installation template

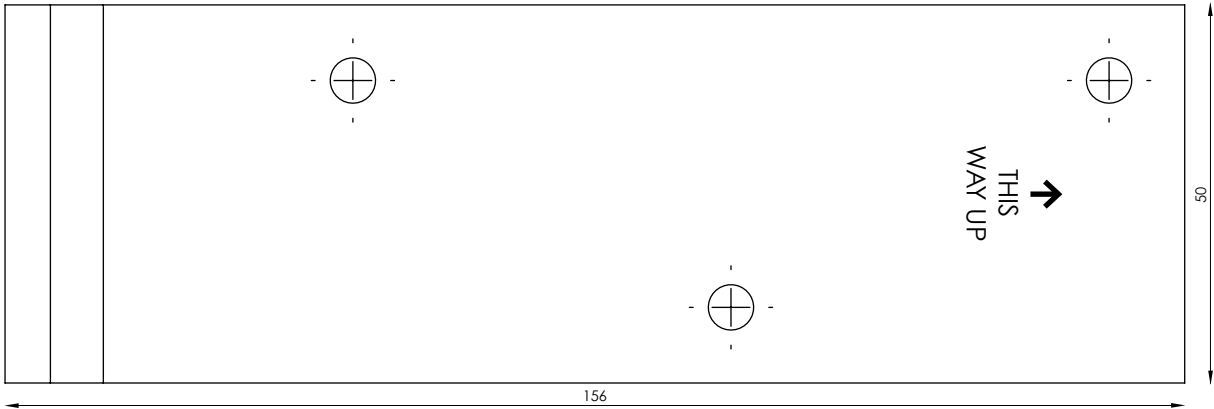


L shaped bracket wall mounting to show position of wall joining locations (to scale).



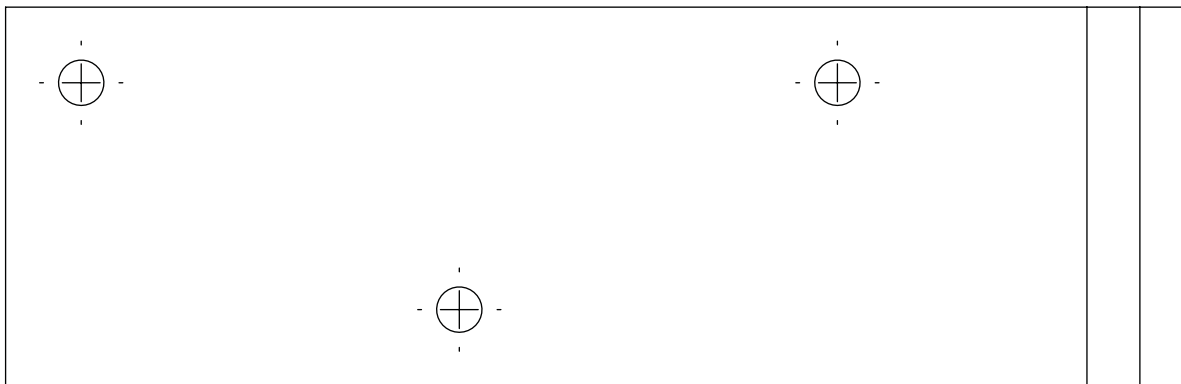


# Installation template (for second bracket)



L shaped bracket wall mounting to show position of wall joining locations (to scale).





# Notes

---

---

---

---

---

---

---

---

# Notes

---

---

---

---

---

---

---

---

This document should not be construed as a commitment on the part of The Professional Monitor Company Limited. The Professional Monitor Company Limited will not assume responsibility for errors that may appear in this document. Information may be subject to change.

Copyright © 2021. All rights reserved.

**THE PROFESSIONAL MONITOR COMPANY LIMITED**

Holme Court Biggleswade SG18 9ST UK

T +44 (0)1767 686300

E [sales@pmc-speakers.com](mailto:sales@pmc-speakers.com) W [www.pmc-speakers.com](http://www.pmc-speakers.com)

**PMC**<sup>®</sup>

Reg No: 3328009

Item no. 1049/PMC stock code 16004-V1 /Dec©2021