



OCHAIN·E active spider user manual:
warranty, installation and maintenance.



Limited warranty and disclaimer

OCHAIN · E active spider is a patented component by Ochain srl.

Ochain srl guarantees its products against materials or manufacturing defects for a period of 2 years starting from the date of purchase by the first buyer, proven by the receipt or by the invoice in case of a direct purchase.

The defect has to be communicated by the first owner to the dealer in case of non-direct purchase or by mail/e-mail to info@ochain.bike in case of direct purchase. In case of return, just after our authorization, transport charges and risks are at customer cost.

Ochain srl recommends to follow the provided instructions for the correct usage and installation. In case instructions are not followed, warranty expires.

OCHAIN · E manuals can be found and downloaded online on website www.ochain.bike
Warranty do not cover missed, wrong or bad ordinary or extraordinary maintenance, damages caused by wrong assembly or with non-compatible components assembly, impacts, falls or accidents, normal consumption, alteration or modification of the original product and damages caused by transport.

If Ochain srl, after checking the product, finds that the damage is due to one of the reasons mentioned above, the warranty request will not be accepted and the defective item is sent back to the plaintiff who supports the shipping fees.

Ochain srl is not responsible for damages or injuries caused by improper installation or wrong usage of the product

To the extent allowed by local law, except for the obligations specifically set forth in this warranty statement, in no event shall Ochain srl or its third party suppliers be liable for direct, indirect, special, incidental or consequential damages.



Safety warnings

THIS USER MANUAL CONTAINS IMPORTANT AND USEFUL INFORMATION REGARDING THE PROPER INSTALLATION, OPERATION, CARE AND MAINTENANCE OF YOUR OCHAIN · E PRODUCT. CAREFULLY READ, FOLLOW AND UNDERSTAND THE INSTRUCTIONS AS DETAILED IN THIS USER'S MANUAL. KEEP THIS MANUAL IN A SAFE PLACE FOR FUTURE REFERENCE.

If you have any doubt whatsoever regarding your ability to install or service this product, please consult OCHAIN · E user manual, OCHAIN · E website and seek the assistance of a professional bicycle mechanic. Do not perform any modifications or adjustments that are not outlined in this manual.

Incorrect installation or servicing may impair performance, and could result in a

dangerous situation leading to serious injury or death.

Components that have experienced excessive wear, deformations or impacts or other damage need immediate professional inspection or replacement. Please have this product regularly inspected by a qualified mechanic for any signs of wear or damage.

Failure to perform necessary and essential maintenance could drastically reduce the service life of your OCHAIN · E and reduce its performance.

If you have any questions, please contact a professional bike mechanic or ask Ochain srl for support at info@ochain.bike.



Ochain srl company informations

Ochain srl · Via Carlo Avegno 1 · 21100 Varese (VA) · ITALY

Please note all instructions are subject to change for improvement without notice.

Please visit www.ochain.bike for periodic tech updates.

For feedback and support write an email to info@ochain.bike



Maintenance

Inspect your OCHAIN · E for wear, looseness or damage including cracks, dents and serious scratches before each ride and after every fall or crash.

Do not use your OCHAIN · E until it has been thoroughly inspected, repaired or replaced.

Replace elastomers every 150 hours of use on your emtb in order to preserve the product and to keep high standards of performance.

OCHAIN · E comes with a ready to ride 9° setup plus an extra replacement kit.

You will find our elastomers replacement kits on our online store or at the local bike shop where you bought this product.

Full OCHAIN · E maintenance service must be done every 300 hours of use on your emtb in order to preserve the product and to keep high standards of performance.

You will find our OCHAIN · E Service Kit on our online store or at the local bike shop where you bought this product.

WARRANTY IS GUARANTEED ONLY IF THESE SERVICES ARE CORRECTLY PROVIDED.

PERIODICALLY CHECK THE TIGHTENINGS. INCORRECT TIGHTENING MAY CAUSE MALFUNCTIONING OR BREAKAGE.



OCHAIN · E active spider specifications

Main material:

Al Alloy 7075 T6

Surface treatments:

Hard anodizing

Dimensions:

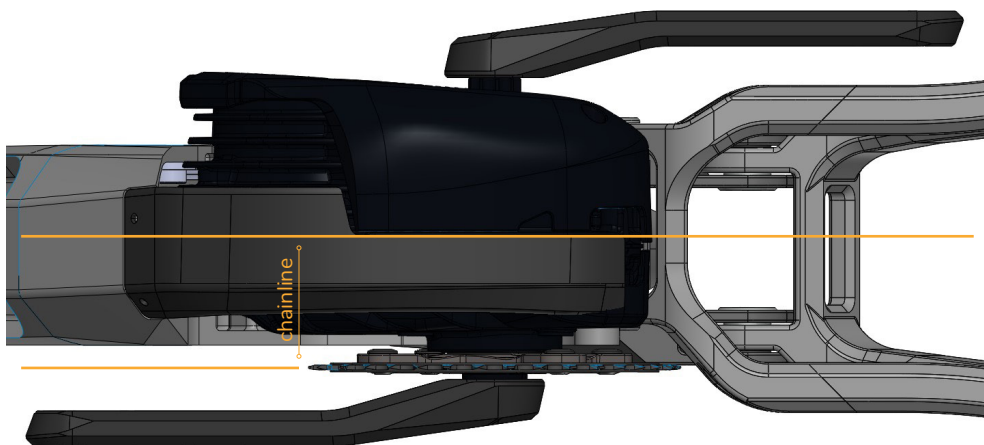
93 mm x 93 mm x 15 mm

Weight:

150/170 g according to model

Chainline:

Chainline is the distance between the centerline of your frame and the average centerline of your chainring. To choose your OCHAIN · E in place of your original chainring maintaining the chainline as aligned as possible, you may opt for the best solution among products present on our website www.ochain.bike.



Compatibility:

OCHAIN · E is a 1X 104 BCD** emtb active spider

OCHAIN · E formally replaces the original direct mount emtb chainring.

OCHAIN · E is guaranteed to be compatible with all motors declared.

Nevertheless, Ochain srl cannot guarantee compatibility with every single frame mounting these motors and with every single cranks on the market.



**Bolt Circle Diameter or BCD is the imaginary circle that passes through the center of all the chainring mounting holes.

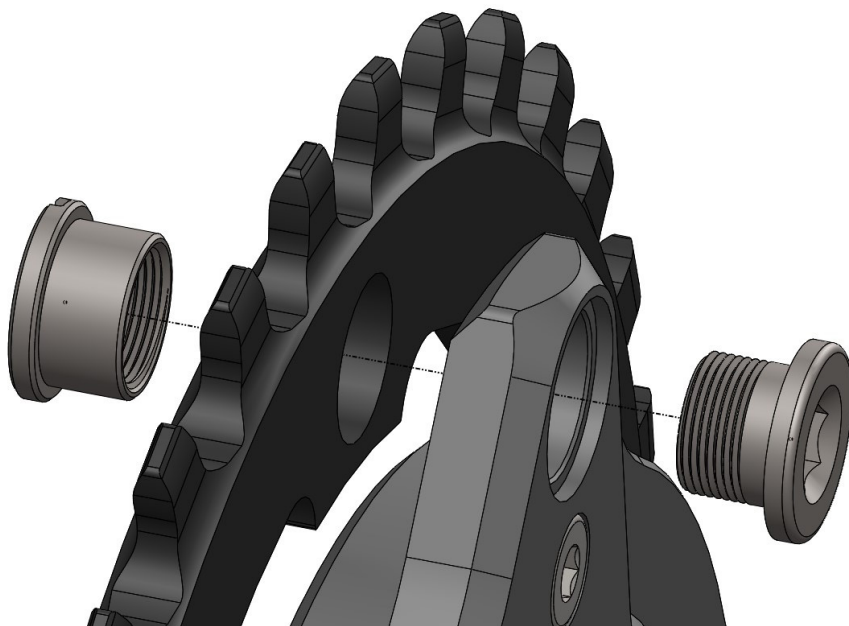


OCHAIN · E active spider installation

Remove your driveside crank from the motor and the original chainring from the motor axel referring to the manufacturer's manual or to a professional bicycle mechanic.

NOTE: If your emtb already mounts a BCD 104 standard chainring bolted to the spider and you want to use it on OCHAIN · E, remove the chainring from the spider. For safety and performance reasons, make sure to check good conditions of chainring with the help of a professional bicycle mechanic.

Install your chainring on OCHAIN · E using 4 standard chainring nuts.



Use Loctite medium on bolts.

Tighten all four chainring bolts to chainring nuts with the recommended nut manufacturer's tightening.

Use some grease on the external of the chainring bolts and tighten with a wrench **FULLY ENGAGED** in the bolt.

NOTE: For a perfect result we recomend to use ouOCHAIN · E titanium chainring bolts and nuts (tightened to 8 Nm) and chainrings.

No set alignment is required between chainring and OCHAIN · E.

Torque lockring to manufacturer's recommended spec prior to riding.

Finally re-assemble your driveside crank referring to the manufacturer's manual or to a professional bicycle mechanic.