

## CIBSE

LIG053  
LIG054  
LIG058  
LIG910  
LIG953  
LIG9004

X  
SERIES

## Product Datasheet

**DARAY**<sup>®</sup> | X7  
Medical

# X710 LED Exam Light

## Introduction

The DARAY X7 examination light is both powerful and incredibly flexible, featuring variable colour adjustment. Utilising LED technology, the general examination light has been developed to provide an intense beam with excellent colour rendering properties.

**This model has an integral transformer housed within the wall mount. We can supply this model either with an IEC cable into the side of the wall mount, or as an 'electricians fit' version which allows the cable to pass directly through the rear of the wall mount, for integration into mains services.**

The X710 forms part of the **X7 Series**, which comprises the following models: X700, X710, X730, X740.

All models in the X7 Series offer identical light output, though with differing mounting/wiring options:

**X700** - Same as X740, though with a flexible 'gooseneck' instead of the articulated (spring-balanced) arm.

**X710** - Available as a wall/rail mount solution with an integrated transformer, to be hardwired.

**X730** - Provides a panel mount bracket and an angled neck for mounting to bed-head trunking, to be hardwired.

**X740** - Same as X700, though with an articulated (spring-balanced) arm instead of the flexible 'gooseneck'.

**Datasheets are available for each model in the X7 Series.**

## Standard Features

- World-renowned LED technology
- Variable intensity
- Variable colour temperature
- Flexible gooseneck for versatile movement and solid positioning
- Excellent colour rendering - for totally natural skin tones
- A strong beam of light with an even intensity across the entire area for clearer viewing and reduced eye strain
- Fully positionable light head, featuring a digital control panel
- Energy-efficient, environmentally friendly, and a fully recyclable product

## Available Options

X710LW	DARAY X7 wall mounted LED examination light -- <b>with IEC cable</b>
X710LE	DARAY X7 wall mounted LED examination light -- <b>electricians fit (flush fit)</b>
X710LR	DARAY X7 rail mounted LED examination light (rail sold separately - see below) -- <b>with IEC cable/Curled IEC</b>
XRAIL	1m Medical Rail for mounting X710LR

Bespoke solutions available, please call

# Technical Specifications

Light Source	LED
Light Intensity (Lux) @ 0.5m	80,000 Lux $\pm$ 5%
Light Intensity (Lux) @ 0.75m	40,000 Lux $\pm$ 5%
Light Intensity (Lux) @ 1.0m	20,000 Lux $\pm$ 5%
Light Intensity Adjustment Range	25 - 100%
Colour Temperature (Kelvin)	3,600K - 5,000K ( $\pm$ 500K)
Colour Rendering Index (CRI)	95
Colour Rendering (R9)	95
Light Field Diameter (D50)	@ 0.5m: 60mm
	@ 0.75m: 90mm
	@ 1.0m: 120mm
Light Field Diameter (D10)	@ 0.5m: 110mm
	@ 0.75m: 150mm
	@ 1.0m: 200mm
Number of LED's	4
Power Consumption	12W 0.1 A
Average Working Life	>40,000 Hours
Input Supply Rating	100 - 240V AC 50/60 Hz
Output Supply Rating	12V DC 1A
Temperature Rise on Patient/User	$\leq$ 2°C
Warranty Period	5 Years
NHS E-Class Code	FBU, FKR
Commodity Code	9018 908400
GMDN Code	12276

## Notes

Our X7 Series is available with a wide array of mounting options to ensure your light is exactly where you need it. Available in two arm options (flexible gooseneck or spring-balanced arm) and a large range of plug-top and hardwired mounting options to suit all clinical needs.

This model features a low total cost of ownership, costing up to 75% less to run than equivalent halogen lights. This light has around 40,000 hours of life from the LED light engine equating to around 20 years of clinical use. The X7 Series requires minimal maintenance and is an ideal light for GP surgeries and clinics where flexibility and performance are crucial.

## Medical Approvals/Certificates

The product(s) on this datasheet adhere to the following standards in line with the 93/42/EEC Medical Devices Directive - Classification: Class 1, Rule 1.

EN 13485

EN 14971

EN 9001

EN 60601-1

2014/35/EU Low Voltage Directive

EN 60601-1-2

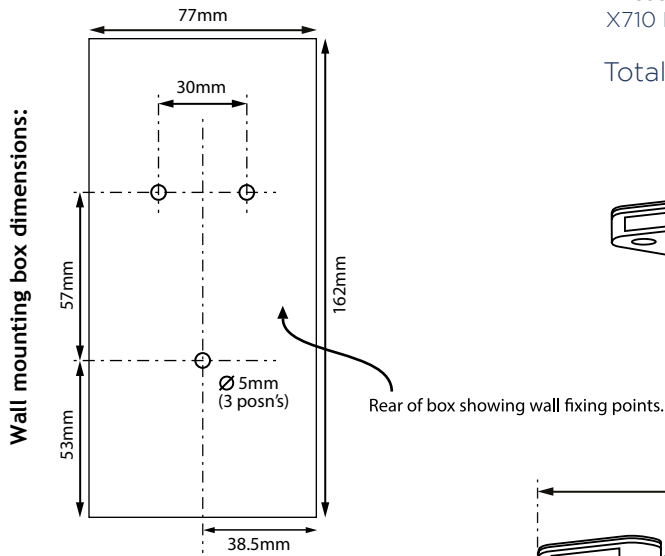
EN 60601-2-41

EN 60601-1-6

EN 1041

EN 60598-2-25

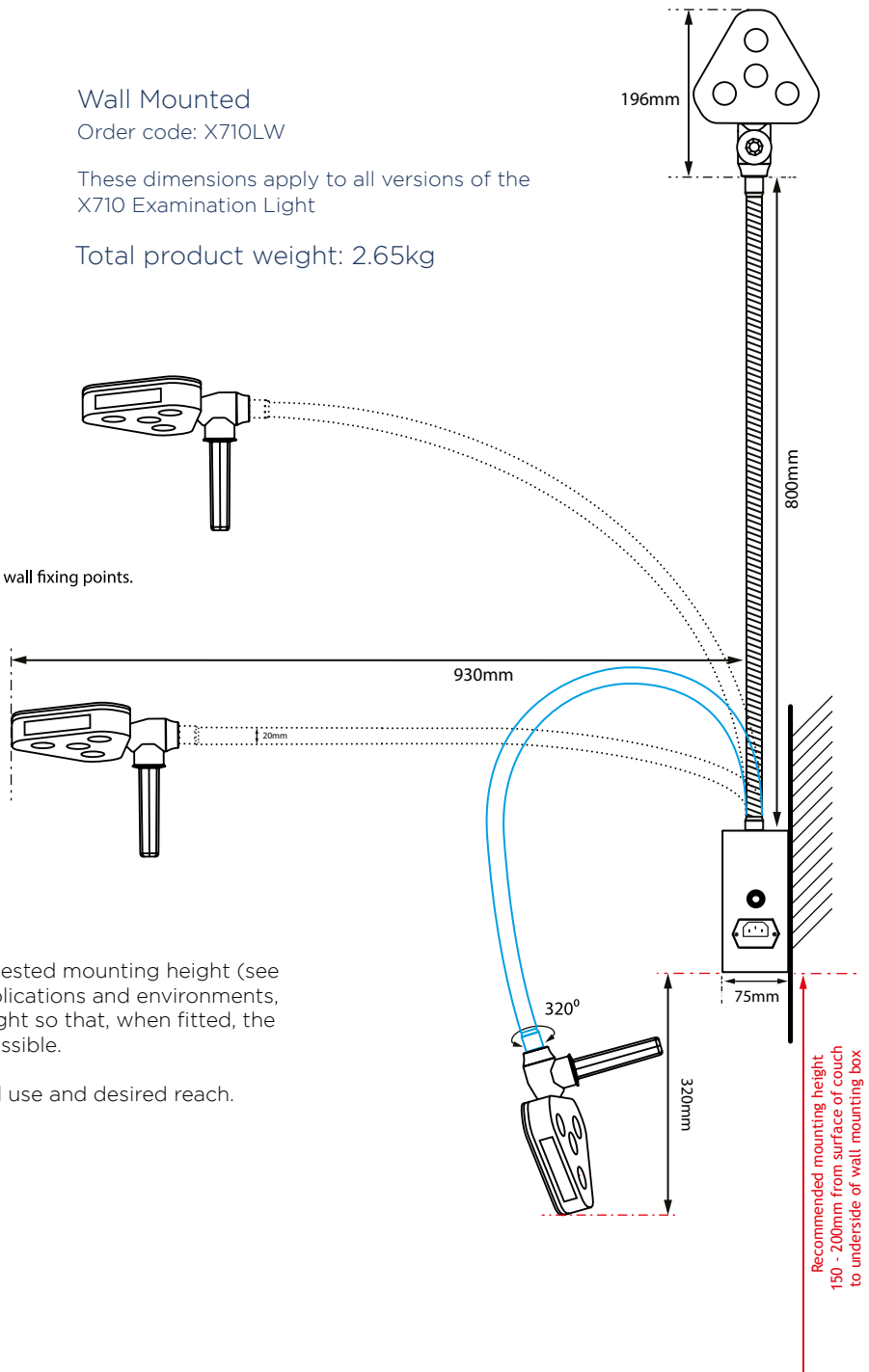
# Technical Drawings



Wall Mounted  
Order code: X710LW

These dimensions apply to all versions of the X710 Examination Light

Total product weight: 2.65kg



\*All dimensions shown in red are based on a suggested mounting height (see underside of wall mounting box). For specific applications and environments, the mounting bracket should be installed at a height so that, when fitted, the lighthead is as near to the required position as possible.

Actual location should be dependent on intended use and desired reach.

Common sense should always prevail.

## Mounting Options



# Image Gallery



Wall Mounted  
(IEC version)  
Order code: X710LW



Wall Mounted  
(Electricians fit version)  
Order code: X710LE

Flexible gooseneck offers versatile movement and solid positioning

Requires: Mains-fed cable from rear, wired appropriately into terminal connector



Supplied with curled cable IEC

Rail Mounted  
(rail sold separately)  
Order code: X710LR



Digital control panel  
Features: Power on/off  
Light intensity adjustment  
Colour temp adjustment

Removable autoclavable handle



Mains power switch

IEC power cable  
(this version only)



(UK Customers only)

## Warranty

Our aftercare plan has been designed to offer complete piece of mind for the entire warranty period, during which time you will have access to our dedicated Service Delivery Team, who are here to assist you in any way they can.

- Year 1 - Parts & Labour (return to base)
- Years 2-5 - Parts only