

# Operating Theatre Light

## SL700 range

### LED



**DARAY**<sup>®</sup>  
Medical

*Committed to excellence*

**MADE IN  
BRITAIN**



**DARAY**<sup>®</sup>  
Medical

*Committed to excellence*

# SL700 LED Range

Utilising the most advanced LED technology available, the **DARAY**® SL700 range of operating theatre lights have been designed to provide a high quality, shadowless beam with extremely low running costs.

The new, slim, fully enclosed head with colour touchscreen digital controls is a perfect LED lighting solution complementing all surgical rooms.

LEDs (light emitting diodes) have been around for a long time. Recently this technology has become leading-edge in the field of lighting - a breakthrough technological solution to the inherent problems of the incandescent light bulb.

We have taken the technology and developed it further to provide high definition lighting solutions with no infrared, low environmental impact, high brightness, low power consumption, no toxic chemicals and a long operating life.





## Features

- Streamlined, ultra-thin, enclosed head with reduced air resistance to minimise contamination
- Low 'total cost of ownership'
- 3,600 ~ 5,500K variable colour temperature
- Automatic focus
- Digital controlled light intensity with 10 grades of brightness and automatic memory for added flexibility
- Built in power supply systems avoiding complicated installation of wall mounted control boxes
- Auxiliary light source included for laparoscopic operations
- LED light-source with up to 40,000 hours of light.
- Rigid suspension arm with easy mobility and stable positioning
- 360° arm rotation
- No infrared or ultraviolet radiation

## Environmentally friendly - our green promise

- LED's costs up to 75% less to run than the halogen equivalent.
- 40,000 hours of life from the LED light engine
- No more bulbs to change - reduces waste by 95% over the light's lifetime.
- No halogen, mercury, cadmium, lead or CFCs. No chemicals harmful to the environment.

SL750 Ceiling Mount



Colour touch screen control panel



SL750 Mobile Mount

 **MADE IN  
BRITAIN**

[www.daray.com](http://www.daray.com)  
Tel: 0800 804 8384 Email: [info@daray.co.uk](mailto:info@daray.co.uk)  
Edison House, Robian Way, Swadlincote, Derbyshire, DE11 9DH



## SL700 LED HD camera system

The new SL700 HD camera system features:

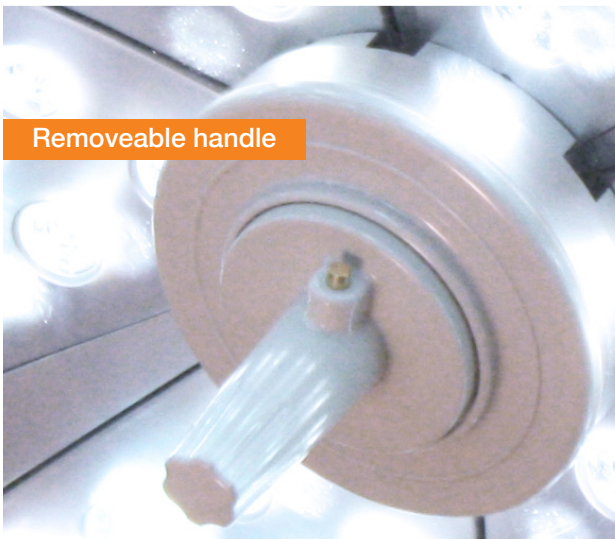
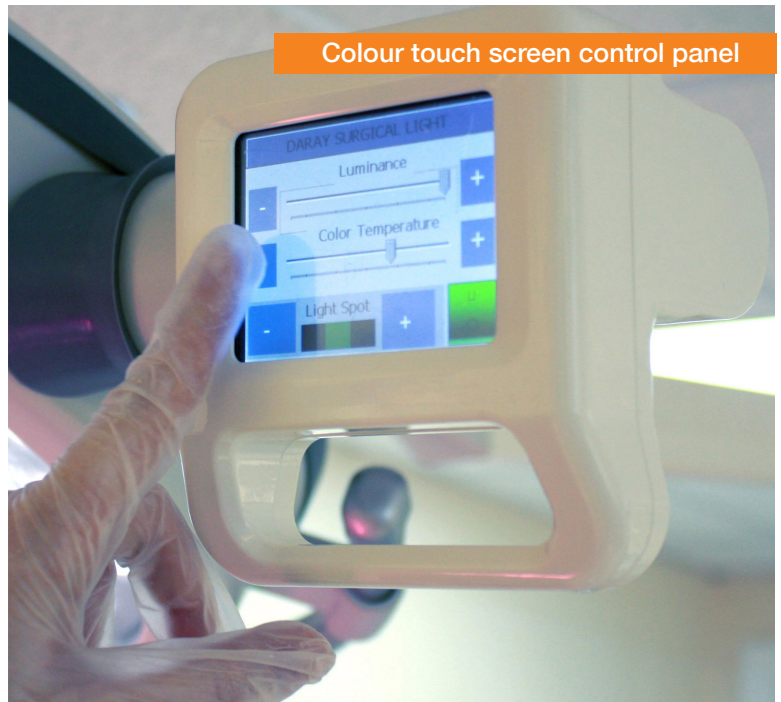
- 3.3 Mega Pixel Quality with Fantastic 20x Optical Enlargement
- 1080p/1080i Resolution with a high contrast ratio of 800:01:00
- Multiple signal outputs including HDMI and DVI

Included in this system is a superb visual display that can be attached as an independent pendulum arm in the ceiling mount version.

Designed for the medical environment the display hosts a good viewing angle and a hard wearing aluminium and magnesium alloy casing. Combined with the resistance based touch screen this display can be used and adjusted as necessary during any operation.

**DARAY**<sup>®</sup>  
Medical

*Committed to excellence*



#### HD Camera Features:

- 1.8v FPGA processor with a 2 GB p/s Transmission Rate
- 20x Optical Enlargement
- 3.3 Mega Pixel Quality
- Image Sensor: 1/2.8 CMOS
- Adopts Sony VISCA and PELCO Protocols
- Horizontal Resolution: 1080p / 1080i
- F = 1.6-3.5, f3.5-85
- Horizontal viewing angle: 3.5 – 55.4
- View Angle (H/V): 160/160
- Minimum Object Distance: 5mm
- Dot pitch (H\*V): 0.297\*0.297
- Contrast Ratio: 800:01:00
- Video Signal Output: HD-SDI, YUV, HDMI, DVI
- Minimum Illumination: 0.04 Lux / ICR
- SNR: 50db
- Operating Temperature: 0-40°C
- Response Time: <8ms
- Digital Input: SDI
- Power Input: 12v DC

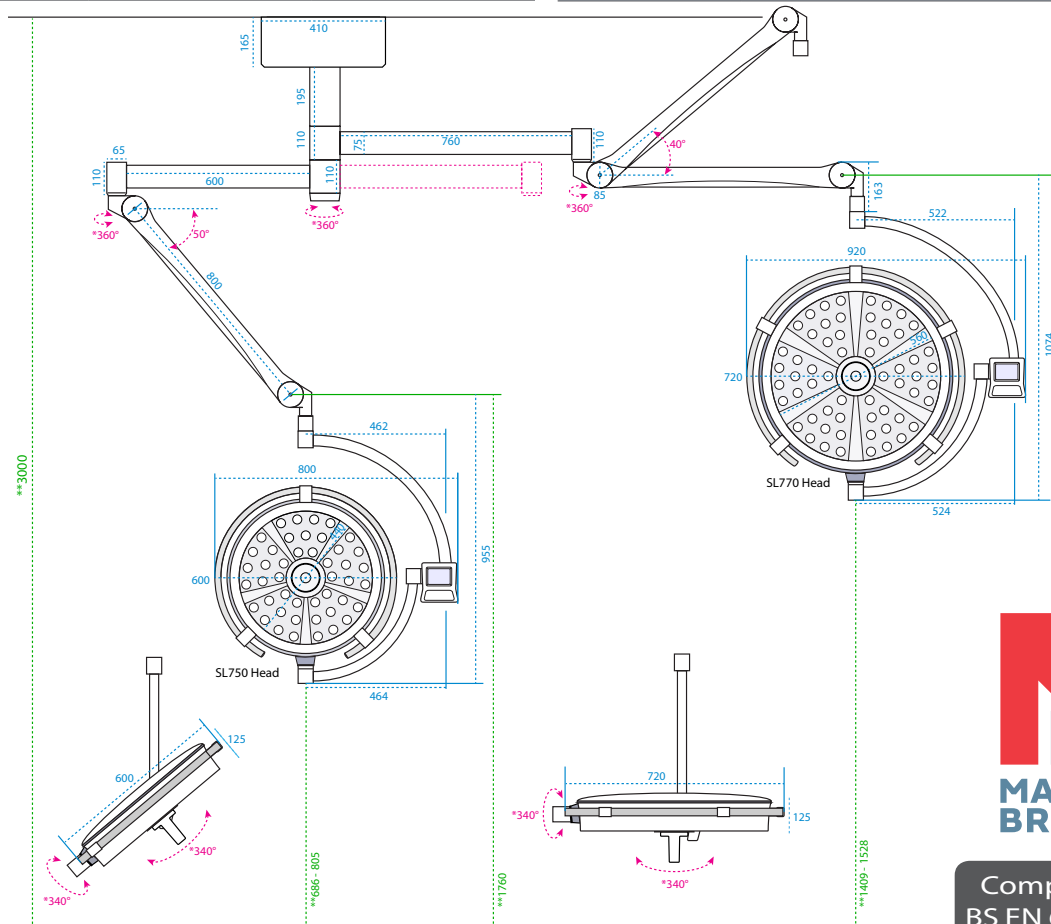


## Specifications

	SL750	SL770
Light intensity	120,000 lux (± 5%)	160,000 lux (± 5%)
Colour temperature	3,600 ~ 5,500k	3,600 ~ 5,500k
CRI	≤95 (± 5%)	≤95 (± 5%)
R9	95 (± 5%)	95 (± 5%)
Light patch (at normal working distance)	120-240mm	120-240mm
Focusing depth	1000mm	1000mm
LED power	45W	60W
Power supply	220V 50Hz	220V 50Hz
LED life	40,000 hours	40,000 hours
Number of LEDs	45	60

## Order Codes

SL750C	500mm light head on ceiling mount
SL770C	700mm light head on ceiling mount
SL750/770C	500 & 700mm light head on twin ceiling mount
SL750/750C	2 x 500mm light heads on twin ceiling mount
SL770/770C	2 x 700mm light heads on twin ceiling mount
SL750M	500mm light head on mobile mount
SL770M	uprated 500mm light head on mobile mount
SL7CAM	Camera - special order only, please call
SLBB24LEDCW	3 hours per light head 1 unit required per light head



Complies with  
BS EN 60601-2-41

### ABOUT DARAY

DARAY have been established in the medical, dental and veterinary markets since 1968 building exceptional and durable products.

We shall continue to innovate; aiming to excel in our endeavours to deliver reliable solutions.



**DARAY**<sup>®</sup>  
Medical

*Committed to excellence*

www.daray.com  
Tel: 0800 804 8384 Email: info@daray.co.uk  
Edison House, Robian Way, Swadlincote, Derbyshire, DE11 9DH