

# Examination & Minor Surgery Light SL300

LED



**DARAY**<sup>®</sup>  
Medical

*Committed to excellence*

[www.daray.com](http://www.daray.com)  
Tel: 0800 804 8384 Email: [info@daray.co.uk](mailto:info@daray.co.uk)  
Marquis Drive, Moira, Swadlincote DE12 6EJ

# SL300

The **DARAY**® NviroLED™ SL300 is a high performance examination and minor surgical light.

LED surgical lights cost up to 75% less to run than traditional halogen lights and with up to 30,000 hours of life from the LED light engine the SL300 is a cost effective and energy efficient lighting solution.

- Lowest 'total cost of ownership' examination light
- Costs up to 75% less to run than halogen equivalent
- 4,000K colour temperature
- 50,000 lux @ 1m
- Removable autoclavable handle
- Variable intensity (option)

## Environmentally friendly - our green promise

- NviroLED has an intense clear white light beam equivalent to 75W halogen whilst consuming only 15W.
- 30,000 hours of life from the LED light engine
- No more bulbs to change - reduces waste by 95% over the light's lifetime.
- No halogen, mercury, cadmium, lead or CFCs. No chemicals harmful to the environment.



## Features

- Excellent colour rendering - totally natural skin tones.
- Emits no infrared radiation - no increase in temperature in the light-field.
- A strong beam of light with an even intensity across the entire area for clearer viewing and reduced eye strain.
- Excellent range of movement

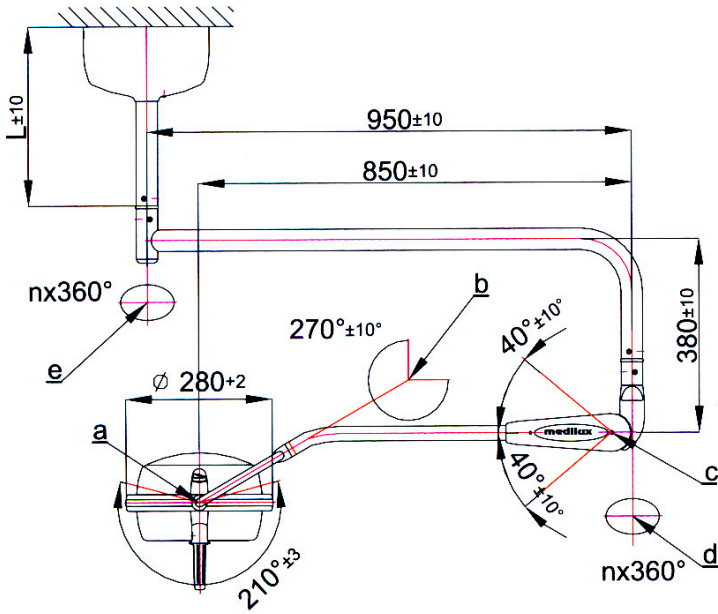
## Specifications

LED life	>30,000 hours
Light intensity	50,000 lux @ 1.0m ±5%
Colour rendering	R <sub>a</sub> = 89
Spot diameter @ 1m	230mm
Power requirement	0.25A
Power supply	230V 50/60Hz
Colour temperature	>4,000K ±5%
Light Source	19 LED module
Housing Protection	IP20

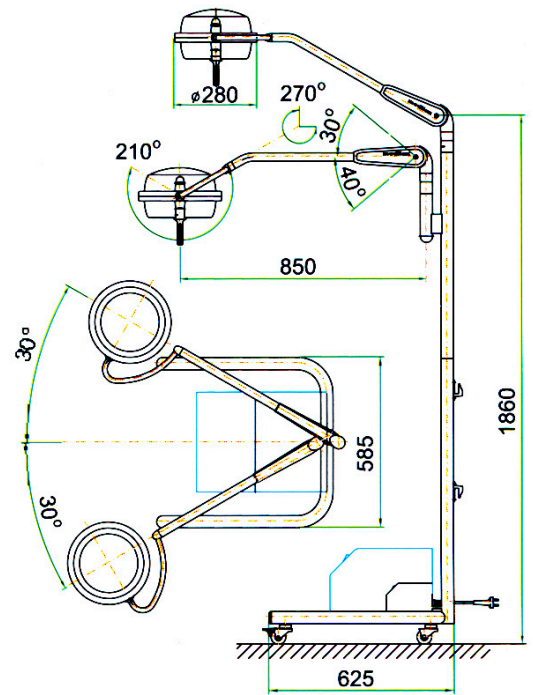
## Products Available

SL300LC	DARAY SL300 ceiling mount minor surgical light
SL300LW	DARAY SL300 wall mount minor surgical light
SL300LM	DARAY SL300 mobile minor surgical light
BB24	24V battery backup power system – special order only

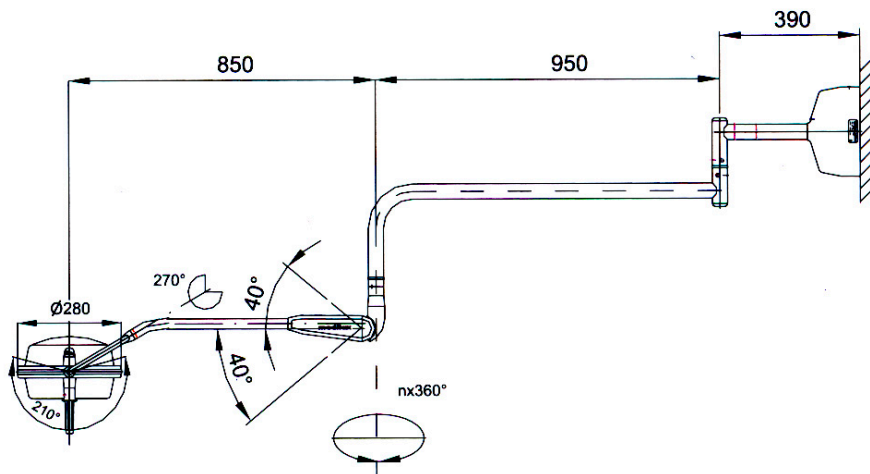




SL300 ceiling mount



SL300 mobile mount



SL300 wall mount

**ABOUT DARAY**

DARAY have been established in the medical, dental and veterinary markets since 1968 building exceptional and durable products. We shall continue to innovate; aiming to excel in our endeavours to deliver reliable solutions.

Complies with  
BS EN 60601-2-41



**DARAY**<sup>®</sup>  
Medical

*Committed to excellence*

www.daray.com  
Tel: 0800 804 8384 Email: info@daray.co.uk  
Marquis Drive, Moira, Swadlincote DE12 6EJ