

Minor Surgery Light SL200 Halogen



DARAY[®]
Medical

Committed to excellence

**MADE IN
BRITAIN**

SL200

The **DARAY**® SL200 is an invaluable tool for those conducting procedures under local anaesthetic in health centres, GP surgeries and outpatient departments. The light is intense, has a perfectly shaped natural daylight coloured light-patch and excellent shadow reduction properties.

Multi-purpose

Ideal for surgery, ophthalmology, OBS delivery operation, diagnostics and gynaecology. Also suitable for use within casualty departments and intensive care units.



Features

- A 205mm diameter reflector with specialised optical coating filters out 90% infrared radiation (heat) from the beam and emulates daylight so that skin tones look natural.
- Halogen Lamp. Specifically designed for high luminosity, accurate focusing and long life.
- A robust polycarbonate diffuser protects the light and gives excellent shadow reduction. It also reduces infrared radiation in the projected beam and enhances the light's appearance.
- Auto-balance suspension arm. State-of-the-art design permits light head of ceiling and wall models to move in any direction (up to 1,600mm radius) with ease and stability.
- Multiple variants. Mobile, wall-mounted and ceiling-mounted versions are all available.
- Variable intensity. All models feature variable intensity control.
- Double-walled housing. Ensures that the light-head is robust and stays at a low temperature.

DARAY®
Medical

Committed to excellence



Specifications

Light intensity	0 - 70,000 lux @ 1m
Colour rendering index	Ra96
Light-field diameter	18 cm
Colour temperature	4,200K
Supply voltage	230V 50/60 Hz
Lamp life	~1,300 h

Products available

SL200HC	DARAY SL200 ceiling mount minor surgical light
SL200HW	DARAY SL200 wall mount minor surgical light
SL200HM	DARAY SL200 mobile mount minor surgical light
CMC	Ceiling mount cover (for conventional ceilings)
SL200BB24H	24V battery backup power system – special order only
LB4059	DARAY 100W halogen lamp (pack of 3)

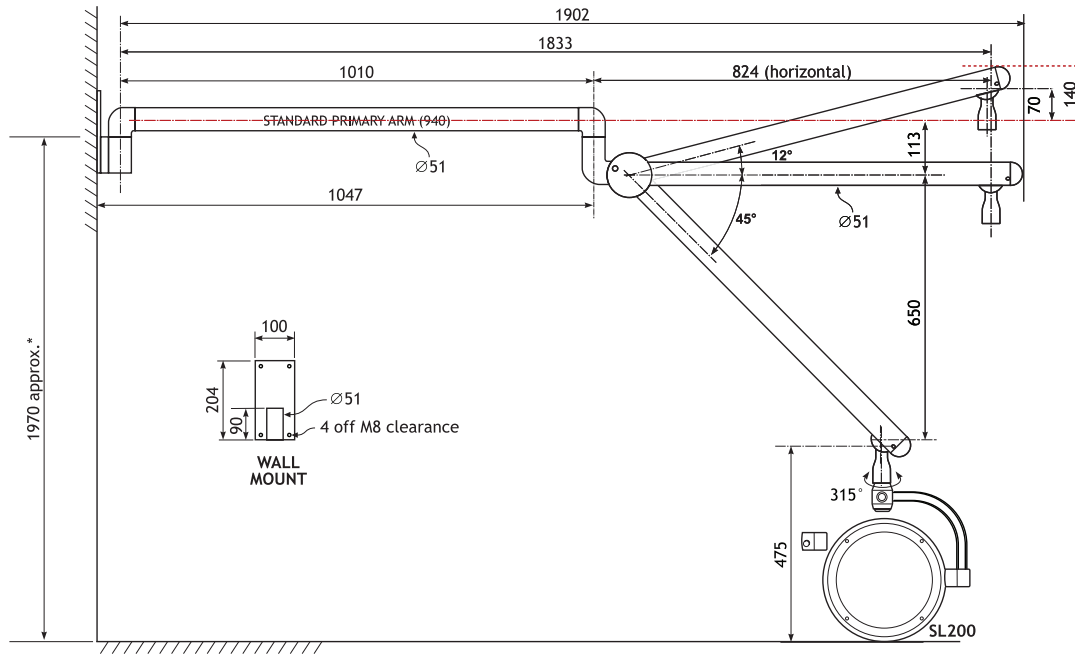


BioProtect® is an antimicrobial solution coating applied to DARAY's products for infection control. Our core products are medical, dental and veterinary lighting used by specialist staff treating patients.

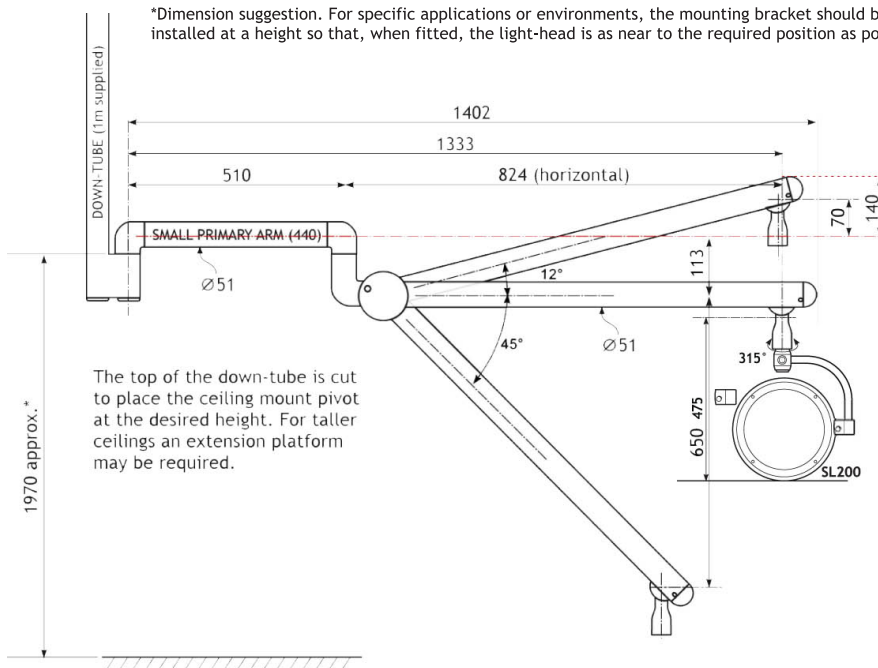
Infection is the highest risk in patient environments. BioProtect® provides excellent protection against illness-causing bacteria such as MRSA, Salmonella, E. coli, Campylobacter and many other bacteria and fungal growths.



www.daray.com
 Tel: 0800 804 8384 Email: info@daray.co.uk
 Marquis Drive, Moira, Swadlincote DE12 6EJ



*Dimension suggestion. For specific applications or environments, the mounting bracket should be installed at a height so that, when fitted, the light-head is as near to the required position as possible.



The top of the down-tube is cut to place the ceiling mount pivot at the desired height. For taller ceilings an extension platform may be required.

*Dimension suggestion. For specific applications or environments, the mounting bracket should be installed at a height so that, when fitted, the light-head is as near to the required position as possible.

ABOUT DARAY

DARAY have been established in the medical, dental and veterinary markets since 1968 building exceptional and durable products. We shall continue to innovate; aiming to excel in our endeavours to deliver reliable solutions.

Complies with
BS EN 60601-2-41



DARAY[®]
Medical

Committed to excellence

www.daray.com
Tel: 0800 804 8384 Email: info@daray.co.uk
Marquis Drive, Moira, Swadlincote DE12 6EJ