



DARAY[®]
Dental

Lighting for
Modern Dentistry



Bringing clarity to modern dentistry

DARAY is proud to introduce the latest additions to our dental lighting range. With high power LED's, these units build upon DARAY's established history of superior dental lighting technology.

Utilising the latest in LED technology our new product range has been developed to perform to the highest standards expected within modern dentistry. With rectangular light patches, and a large range of movement; our new dental range also incorporates dual touch-free controls as standard along with triple axis rotation to get the right light in the right location.

Designed with a high colour temperature and high CRI (Colour Rendering Index); these lights provide the white light you need to properly match shades, identify details and assess any surrounding tissue. Our touch-free, dual control system allows you to power the light on or off and vary the intensity without having to touch the unit.

Factory calibrated at 700mm from the work surface these units have a crisp rectangular light patch, reducing uncomfortable glare for your patients whilst retaining a sizeable field with consistent and uniform illumination throughout. Utilising shadow reduction technology DARAY's dental lighting keeps you focused on your patients not your equipment.

Running at only 12V these lights are incredibly eco-friendly. The extra low voltage reduces operating costs, which, when combined with the incredible lifespan of high quality LED technology (>50,000 hrs), these lights will last a long time, saving you time, money and effort.

Our modern, low profile designs can help reflect your image of professional excellence in dentistry without breaking your budget.

Range features (apply to all models)

- Dual Touch-free on/off and intensity control
- LED light source provides excellent efficiency
- Rectangular light patch
- Aesthetic styling
- Exceptional range of movement
- Easy to clean and maintain
- Low total cost of ownership
- Ceiling, wall and mobile mount options available.

ULTRA

With a single high power LED, round polycarbonate fascia & parabolic reflector, the Ultra incorporates traditional aesthetics with our modern design features.

As the premium unit in this range the Ultra features adjustable, removable handles as well as a flip-up patient mirror to aid in patient observation and communication.

- Single LED module
- 6 position removable handles
- Parabolic reflector to pool an even rectangular light patch
- Polycarbonate lens
- Patient mirror
- Variable intensity.

EXCEL

Designed and developed from our BiLite and QiLite family. The Excel features multiple, direct LED modules. This light also features a removable fascia for easy cleaning if required. Like the Ultra this light also has adjustable, removable handles.

- Multiple LED modules for even light rectangular patch
- 6-position removable handles
- Polycarbonate lens
- Variable intensity.

DIAMOND

With a similar single high power LED and parabolic reflector design as the Ultra, the Diamond is a cost effective solution that utilises a low profile design to achieve brilliant results. The Diamond uses fixed position handles with removable clip-on sleeves.

- Single LED module
- Parabolic reflector to pool an even rectangular light patch
- Removable solid handle sleeves (2 pairs supplied)
- Variable intensity.

DARAY[®]
Dental



ULTRA



EXCEL



All models feature an Infrared sensor for controlling the power on/off and intensity adjustment without touching the light. This helps reduce the risk of cross infection and saves time between examinations.
A manual override switch is also featured.



DIAMOND



Upgrade Kits

Are you an existing DARAY Dental customer? Our business has thrived on your support for the last 40 years – now we feel it's time to give something back to you.

As an alternative to replacing the whole light, you can convert your existing DARAY light* to any of the three new LED models, with our Upgrade Kits.



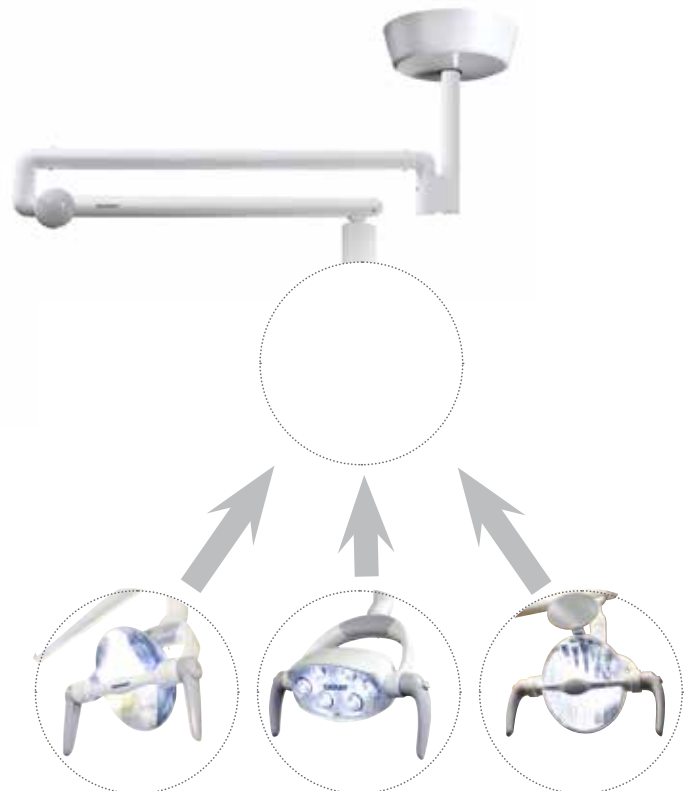
Model shown - ULTRA LED upgrade kit

These newest editions to our range have been designed specifically with our customers in mind, offering you a choice, based on your lighting preference AND your budget. Allowing your practice to enjoy the benefits, cost-savings, and practicality of LED Dental Light technology without the costs associated with replacing the entire fixture.

We remain fiercely proud of our history, our continued innovation and our world-leader status in the field of clinical lighting solutions. Our commitment to excellence is behind every product and service we deliver! Please call us to discuss your requirement, we are here to assist.

Our Upgrade Kits will utilise your existing arms and mount, ensuring that your business is not disrupted by building work or downtime. Using our bespoke adaptor, a new LED light head, and a replacement power supply, we can transform your existing light into a modern, technologically advanced, energy-efficient dental light – for a fraction of the cost of replacing the whole unit.

DARAY take pride in guaranteeing that our lights will provide exceptional benefits for your practice. You will immediately be impressed with the potential savings opportunities, which can be measured in several ways: First, we are competitively priced to keep your initial cost to a minimum. Second, the quality makes them outstanding value. Third, the running costs are amazing too.



Order codes	
ULTRAUK	DARAY ULTRA LED upgrade kit
EXCELUK	DARAY EXCEL LED upgrade kit
DIAMONDUK	DARAY DIAMOND LED upgrade kit

*Compatible with the following dental light models: BiLite, DL50, QiLite, Wavelite. Cylindrical-arm type versions only: 2005 onwards

DCL1500 LED

Multifunction Curing and Intraoral light

Designed with DARAY's leading edge LED technology, we have developed a curing light that is reliable, durable and capable of the optimum wavelengths for effective polymerisation of all the most commonly used resin-based composites. The low-profile design aids in patient comfort, and the slim head allows for easy access to the posterior area of the mouth, for fast and precise operation. The lightweight, ergonomic design of the hand piece is a crucial feature of the DCL1500 and results in maximum efficiency for the clinician and minimises strain, as well as offering an unparalleled scope within the mouth cavity, for all hard-to-reach areas.

The device is supplied with a charging dock as standard, allowing you to simply place the device in its stand, starting the charging without cables - a convenience intended to further assist with infection control. The advanced Lithium-ion battery provides hours of hassle-free operation.

The included eye shield adds user protection, and the simple switching operation between the Curing light and the Intraoral light aids uninterrupted work – allowing you to focus your attention on achieving the most robust and deepest cure possible.

A powerful, effective curing tool providing an all-in-one solution – that's why DARAY continues to bring clarity to modern dentistry.

- Multifunction LED curing (blue light) and intraoral (white light)
- Dual-mode high/low curing settings
- Wireless with charging dock
- Curing light (blue) wavelength - 420-480nm
- Intraoral light (white) intensity - 25,000 Lux
- Auto power-off
- Multiple time settings
- Colour temperature - 5000K - 6500K
- Vent-less design, for fast cleaning – sealed against contamination
- Supplied with 100 disposable sleeves for added infection control and light shield
- 360° light head rotation
- Silent operation

Specifications

Curing light time settings	High power: 5-20s Low power: 5-40s
Curing light power	≥1200mW/cm ²
Curing light wavelength	420-480nm
Oral lighting illumination	≥25000 Lux
Light colour temperature	5000-6500K
Power adaptor input	200-240VAC 50/60Hz
Power adaptor output	DC 10V/1.5A
Li-ion battery voltage	DC3.7V
Li-ion battery capacity	1400mAh

Order codes

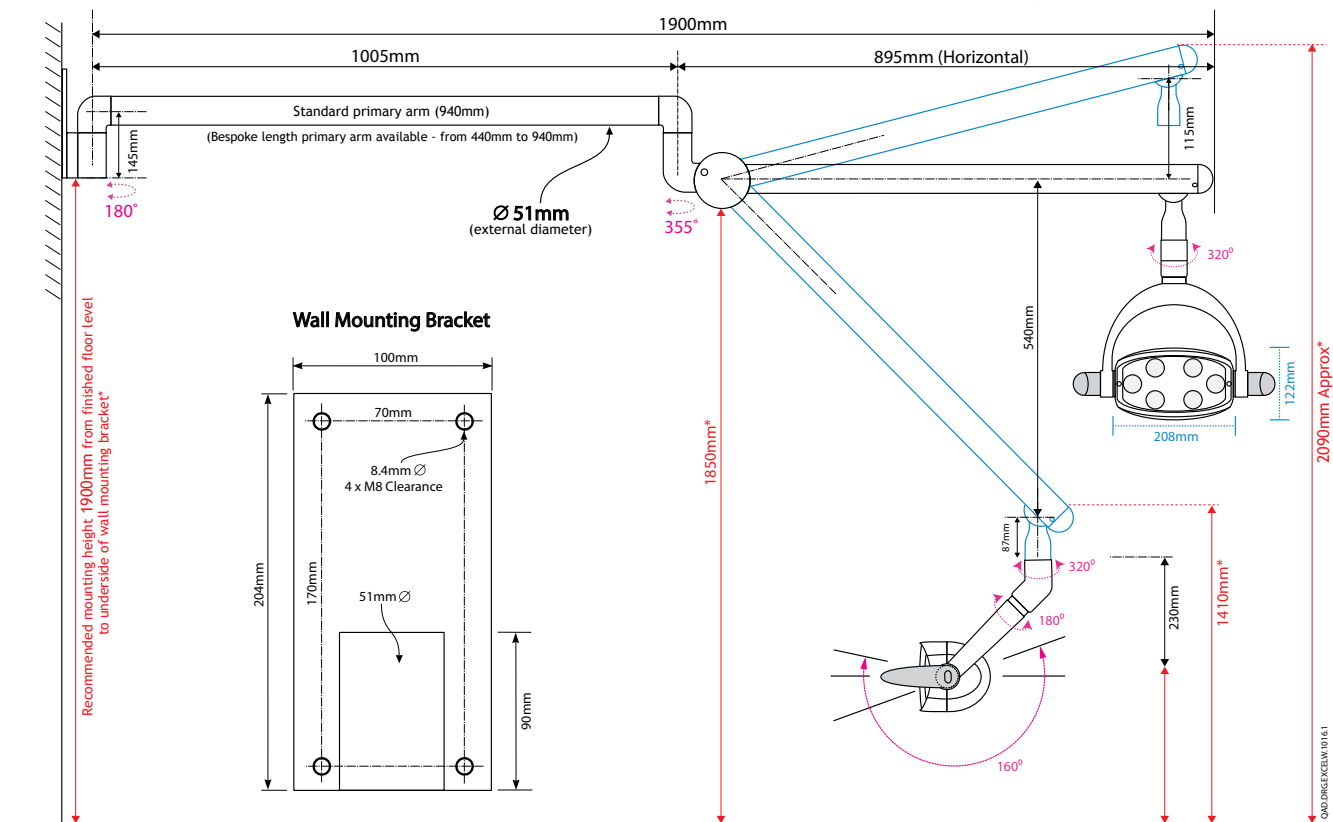
DCL1500	DARAY DCL1500 LED Multifunction Curing Light
---------	--



Range of movement

Any of the DARAY dental lights in this brochure can be supplied as either ceiling mounted or wall mounted as standard, as well as mobile and unit mounted options. The dimensional drawings below the complete range of movement and rotation points for the wall and ceiling mount options.

Wall mount version Model Shown - EXCELW (EXCEL Wall Mounted) same dimensions apply for all models.



Ceiling mount version Model Shown - ULTRAC (ULTRA Ceiling Mounted) same dimensions apply for all models.

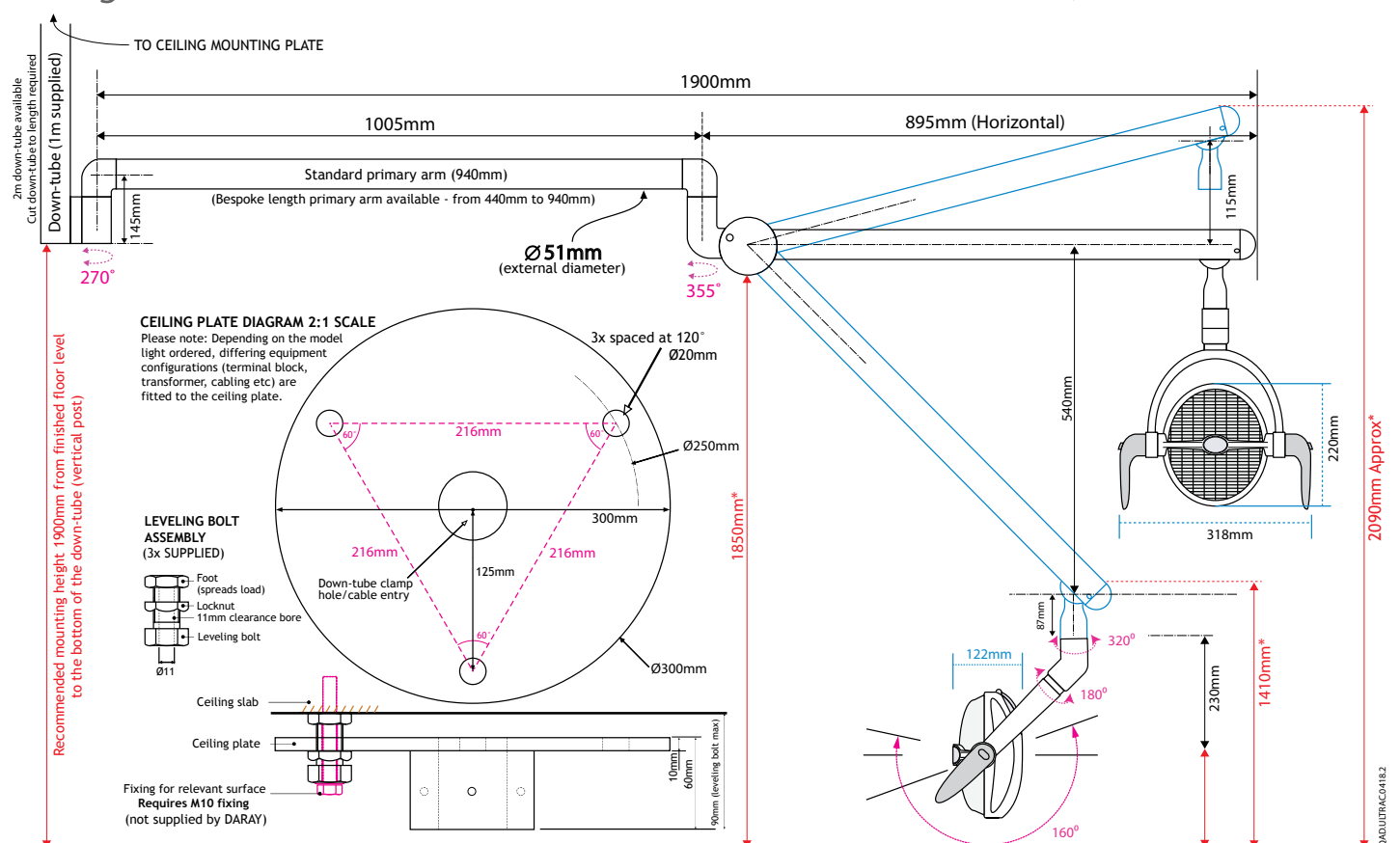
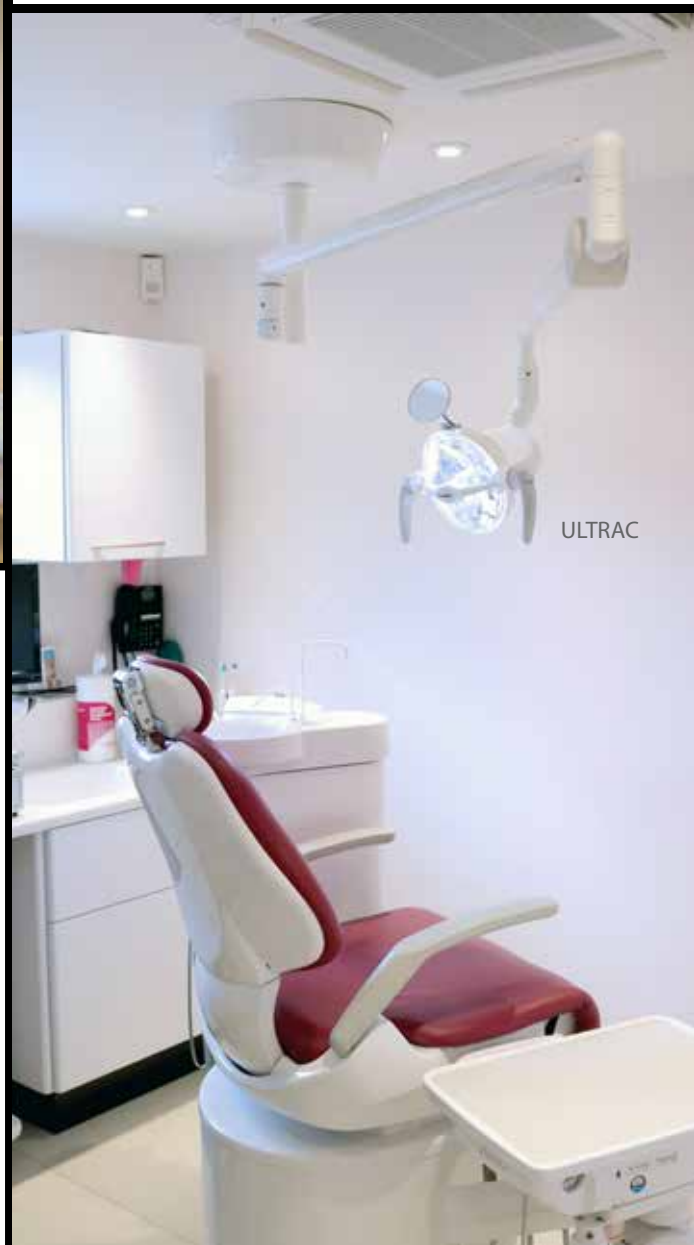
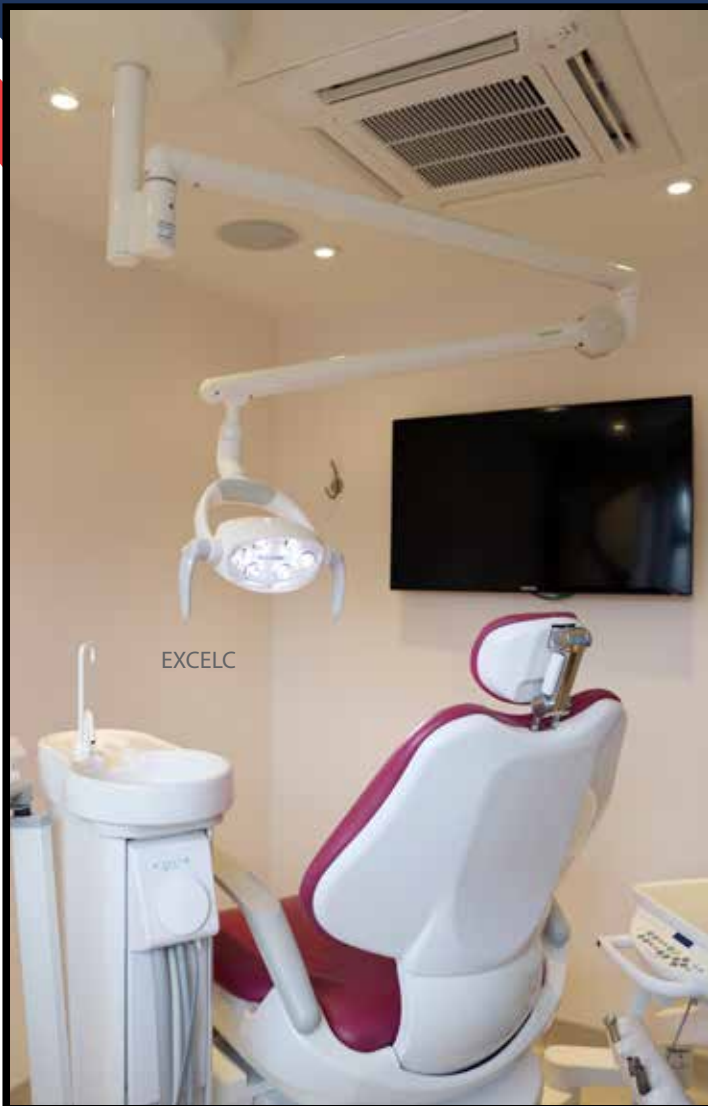


Image Gallery

The below images show examples of the DARAY Dental Lighting range mounted and in position.

For advice on adequate location for mounting your DARAY light, please consult the dimensional drawings opposite, or contact DARAY Technical staff on **0333 321 0971**.



Ceiling mount cover
sold separately.
Part code: CMC

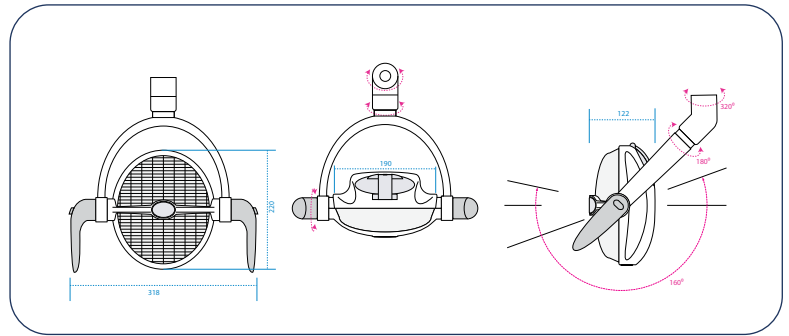
ULTRA

Specifications

LED Life	50,000 hours
Light Intensity	45,000 lux @ 0.7m
Light Field Diameter	150mm x 70mm ±20mm
Power Consumption	8-12W ±2%
Output Voltage	12V AC ±2%
Colour Temperature	5,000K

Order Codes

ULTRAC	DARAY ULTRA ceiling mounted LED dental light
ULTRAW	DARAY ULTRA wall mounted LED dental light
ULTRACS	DARAY ULTRA short-reach ceiling mounted LED dental light (440mm primary arm)



ULTRAWS	DARAY ULTRA short-reach wall mounted LED dental light (440mm primary arm)
ULTRADLU	DARAY ULTRA unit mounted LED dental light
ULTRADFM	DARAY ULTRA floor mounted LED dental light

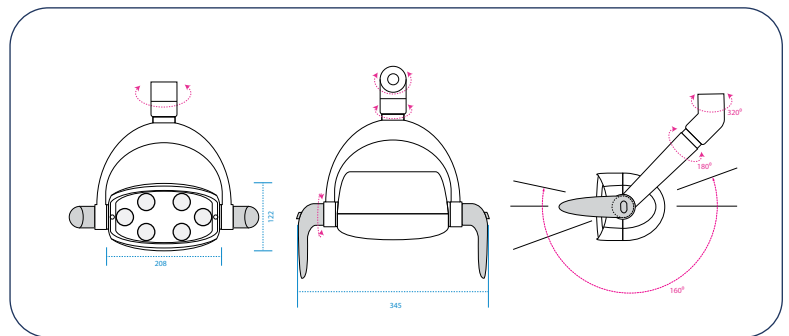
EXCEL

Specifications

LED Life	50,000 hours
Light Intensity	35,000 lux @ 0.7m
Light Field Diameter	150mm x 70mm ±20mm
Power Consumption	8-12W ±2%
Output Voltage	12V AC ±2%
Colour Temperature	6,950K

Order Codes

EXCELC	DARAY EXCEL ceiling mounted LED dental light
EXCELW	DARAY EXCEL wall mounted LED dental light
EXCELCS	DARAY EXCEL short-reach ceiling mounted LED dental light (440mm primary arm)



EXCELWS	DARAY EXCEL short-reach wall mounted LED dental light (440mm primary arm)
EXCELDLU	DARAY EXCEL unit mounted LED dental light
EXCELDFM	DARAY EXCEL floor mounted LED dental light

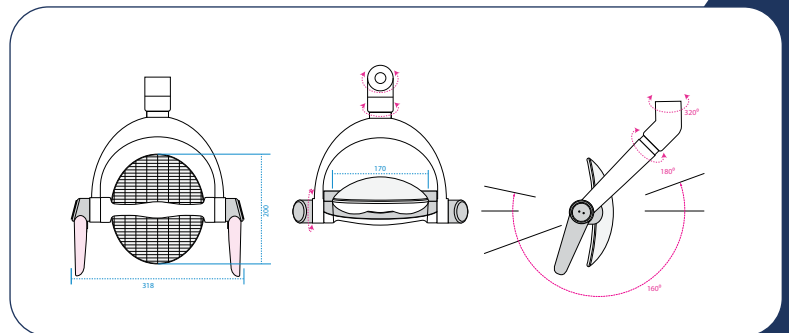
DIAMOND

Specifications

LED Life	50,000 hours
Light Intensity	35,000 lux @ 0.7m
Light Field Diameter	150mm x 70mm ±20mm
Power Consumption	8-12W ±2%
Output Voltage	12V AC ±2%
Colour Temperature	5,000K

Order Codes

DIAMOND C	DARAY DIAMOND ceiling mounted LED dental light
DIAMOND W	DARAY DIAMOND wall mounted LED dental light
DIAMOND CS	DARAY DIAMOND short-reach ceiling mounted LED dental light (440mm primary arm)



DIAMOND WS	DARAY DIAMOND short-reach wall mounted LED dental light (440mm primary arm)
DIAMOND DLU	DARAY DIAMOND unit mounted LED dental light
DIAMOND DFM	DARAY DIAMOND floor mounted LED dental light



All products carry CE marking. **CE**
www.daray.com
 Tel: 0800 804 8384 Email: info@daray.co.uk
 Edison House, Derbyshire, DE11 9DH

Complies with
BS EN 60601-2-41

DARAY[®]
 Dental

Committed to excellence

DARAY make every effort to ensure that the information in this document is correct and accurate, however, we cannot be held responsible for errors and omissions. DARAY reserves the right to alter specifications and to add and withdraw products without notice.