



REPAIR PARTS

GLXS4BA Remote Condensing Unit

GLXS4BA1810AA
GLXS4BA2410AA
GLXS4BA3010AA
GLXS4BA3610AA
GLXS4BA4210AA
GLXS4BA4810AA
GLXS4BA6010AA



This manual is to be used by qualified technicians only.

© 2024 Goodman Manufacturing Company, L.P. ♦ 19001 Kermier Rd. ♦ Waller, TX 77484

Important Information

Index

Functional Parts List	3
Illustration and Parts	4 - 9

Views shown are for parts illustrations only, not servicing procedures.

Text Codes:

AR - As Required

NA - Not Available

NS - Not Shown

00000000 - See Note

QTY - Quantity Example (QTY 3) (If Quantity not shown, Quantity = 1)

M - Model Example (M1) (If M Code not shown, then part is used on all Models)

Expanded Model Nomenclature:

Example M1 - Model#1 M2 - Model#2 M3 - Model#3

Goodman Manufacturing Company, L.P. is not responsible for personal injury or property damage resulting from improper service. Review all service information before beginning repairs.

Warranty service must be performed by an authorized technician, using authorized factory parts. If service is required after the warranty expires, Goodman Manufacturing Company, L.P. also recommends contacting an authorized technician and using authorized factory parts.

Goodman Manufacturing Company, L.P. reserves the right to discontinue, or change at any time, specifications or designs without notice or without incurring obligations.

For assistance within the U.S.A. contact:
Homeowner Support
Goodman Manufacturing Company, L.P.
19001 Kermier Road
Waller, Texas 77484
877-254-4729-Telephone
713-863-2382-Facsimile

For assistance outside the U.S.A. contact:
International Division
Goodman Manufacturing Company, L.P.
19001 Kermier Road
Waller, Texas 77484
713-861-2500-Telephone
713-863-2382-Facsimile

Functional Parts

Part

No: **Description:**

0151R00285	BASE VALVE 3/4", R32 (M1, M2, M3)
0151R00287	BASE VALVE 3/8", R32
0151R00286	BASE VALVE 7/8", R32 (M4, M5, M6, M7)
0150M00012	BLADE-FAN 20" CCW (M1, M2)
CAB050400440CT	CAP, 5/40 MFD/440V RD - BPRF (M1, M2, M4)
CAB050450440CT	CAP, 5/45 MFD/440V RD - BPRF (M3, M5, M6)
CAB050800440CT	CAP, 5/80 MFD/440V RD - BPRF (M7)
0130R00238	CAPACITOR, HARD START (M3)
0130R00239	CAPACITOR, HARD START (M1, M2)
YP51K1TPFVASC	COMPRESSOR (M7)
YP40K1TPFVASC	COMPRESSOR (M6)
YP34K1TPFVASC	COMPRESSOR (M5)
YP29K1TPFVASE	COMPRESSOR (M4)
50Y4929V-ZALM	COMPRESSOR R-32 (M1, M2)
55Y622UV-ZALM	COMPRESSOR, RECHI (M3)
CONT1P030024D	CONT, 1 POLE, 30 AMP, 24VAC
0150M00008	FAN BLADE, 22" TNT2203-25 (M3, M4)
0150M00054	FAN BLADE, 26" (M5, M6, M7)
0131M00753	MOTOR, 1/6HP, 1SP, 8PL, AL (M3, M4, M5, M6)
0131M00969	MOTOR, 1/8HP, 8PL, PSC (M1, M2)
0131M00804	MOTOR, ECM (M7)
0130M00851	PREWIRED RELAY HARD START (M1, M2, M3)
0130M20001	SWITCH HIGH PRESSURE

SPECIAL PARTS

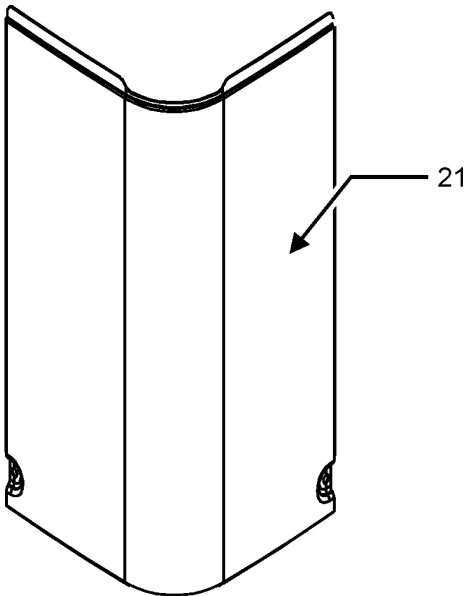
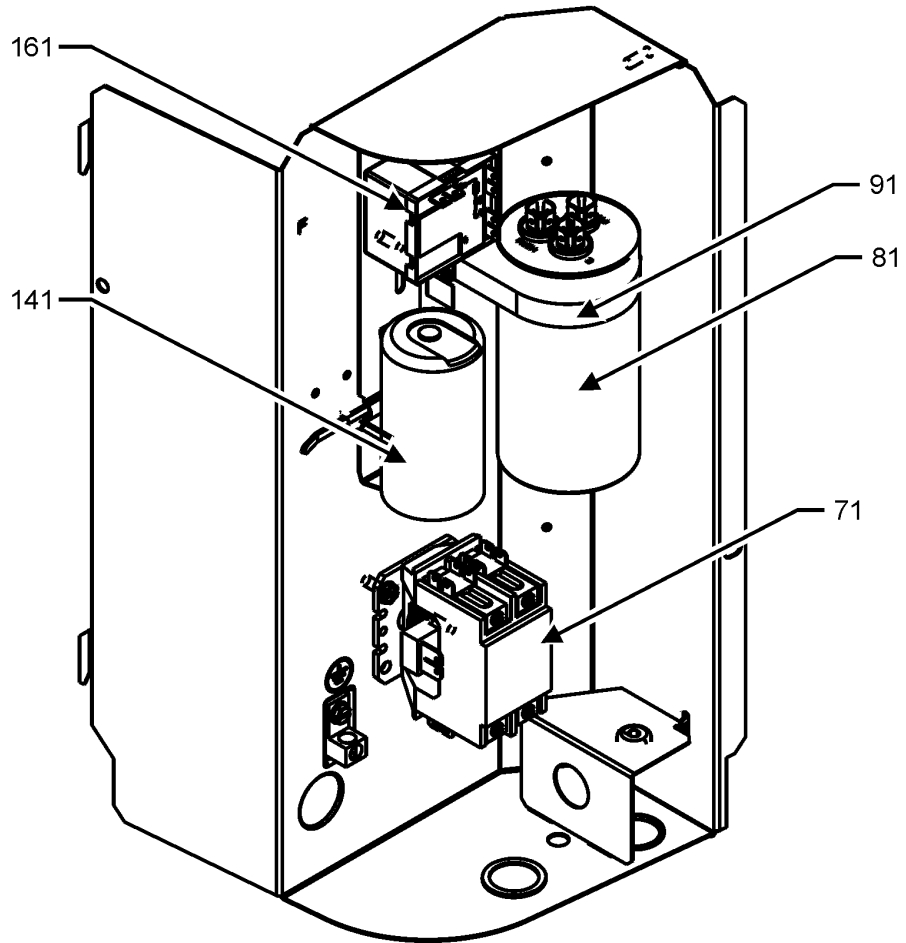
0161R00092 NAMEPLATE, GOODMAN

Expanded Model Nomenclature

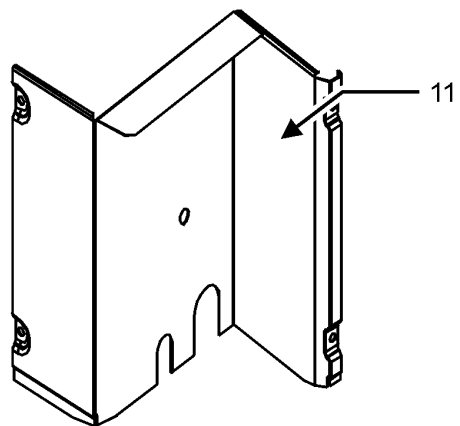
M1 - GLXS4BA1810AA
M2 - GLXS4BA2410AA
M3 - GLXS4BA3010AA
M4 - GLXS4BA3610AA
M5 - GLXS4BA4210AA
M6 - GLXS4BA4810AA
M7 - GLXS4BA6010AA

Control Panel Assembly

CONTROL PANEL ASSEMBLY



CONTROL PANEL ACCESS



LOWER ACCESS PANEL

CONTROL PANEL ASSEMBLY MAY DIFFER FROM WHAT IS SHOWN

Control Panel Assembly

Ref. Part No:	No:	Description:	Ref. Part No:	No:	Description:
---------------	-----	--------------	---------------	-----	--------------

Image 1:

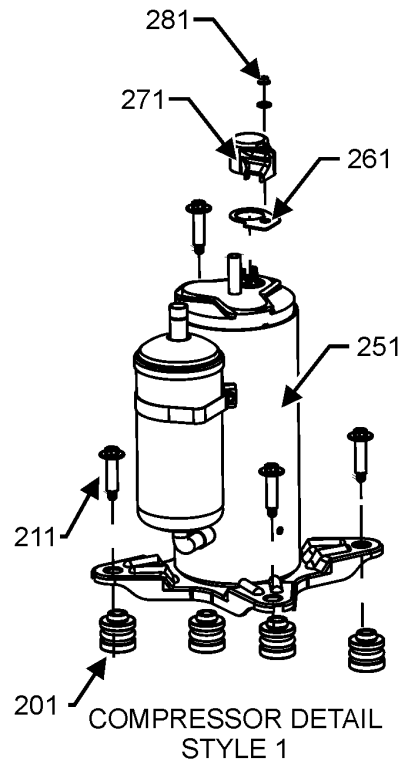
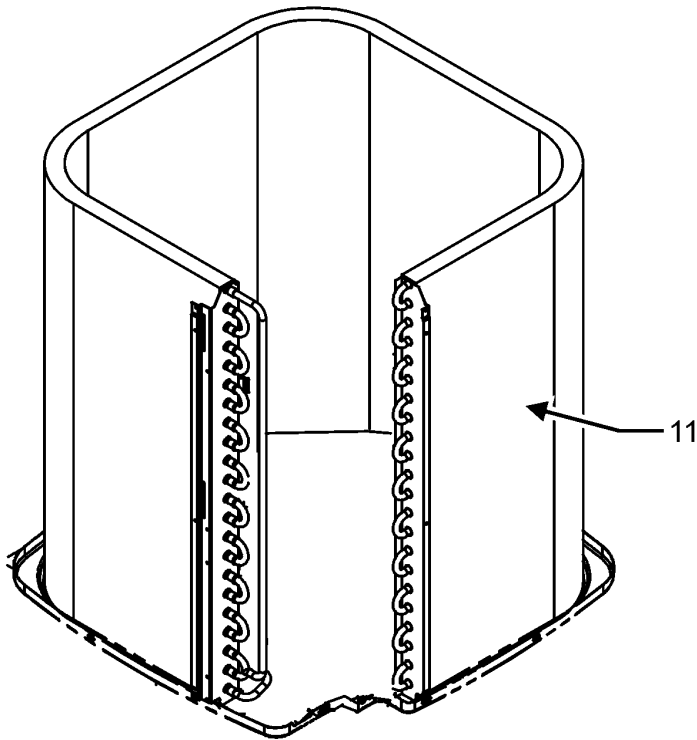
11	0121R00909PDG	PNL, LWR ACCESS (M4, M7)
11	0121R00912PDG	PNL, LWR ACCESS (M5, M6)
11	0121R00915PDG	PNL, LWR ACCESS (M1, M2)
11	0121R00919PDG	PNL, LWR ACCESS (M3)
21	0121R00937PDG	CONTROL COVER, PNT
71	CONT1P030024D	CONT, 1 POLE, 30 AMP, 24VAC
81	CAB050400440CT	CAP, 5/40 MFD/440V RD - BPRF (M1, M2, M4)
81	CAB050450440CT	CAP, 5/45 MFD/440V RD - BPRF (M3, M5, M6)
81	CAB050800440CT	CAP, 5/80 MFD/440V RD - BPRF (M7)
91	4400065	CAPACITOR STRAP
141	0130R00238	CAPACITOR, HARD START (M3)
141	0130R00239	CAPACITOR, HARD START (M1, M2)
161	0130M00851	PREWIRED RELAY HARD START (M1, M2, M3)
NS	0121R00854	HARD START KIT BRACKET (M1, M2, M3)
NS	0161R00092	NAMEPLATE, GOODMAN

Expanded Model Nomenclature

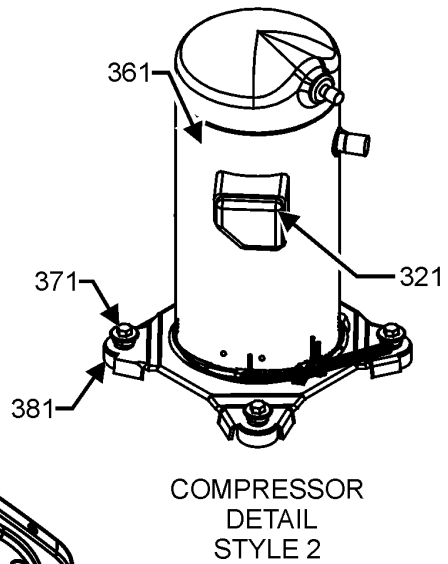
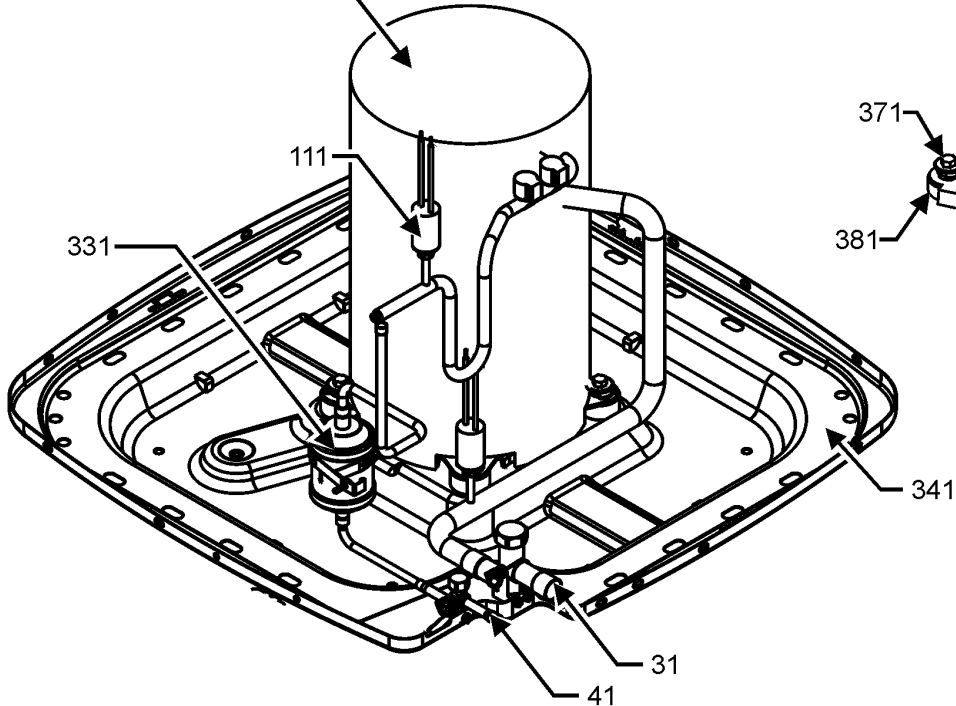
M1 - GLXS4BA1810AA
M2 - GLXS4BA2410AA
M3 - GLXS4BA3010AA
M4 - GLXS4BA3610AA
M5 - GLXS4BA4210AA
M6 - GLXS4BA4810AA
M7 - GLXS4BA6010AA

Compressor and Tubing Assembly

TUBING AND COMPRESSOR ASSEMBLY



COMPRESSOR BLANKET



TUBING AND COMPRESSOR ASSEMBLY MAY DIFFER FROM WHAT IS SHOWN

Compressor and Tubing Assembly

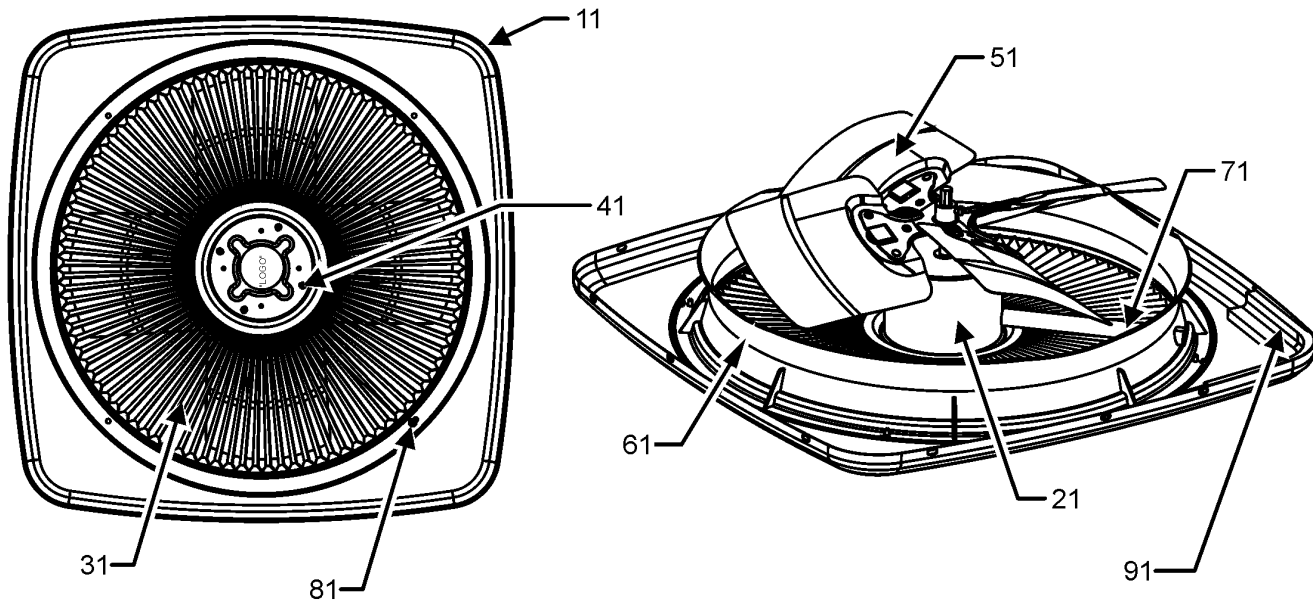
Ref. Part No:	Ref. Part No:	Description:	Description:
Image 1:			
11	0201R00296	COIL TUBING ASSEMBLY (M3)	
11	0201R00236	COIL TUBING ASSY (M4)	
11	0201R00311	COIL TUBING ASSY (M5, M6)	
11	0201R00809	COIL TUBING ASSY (M7)	
11	0201R00861	COIL TUBING ASSY (M1, M2)	
31	0151R00285	BASE VALVE 3/4", R32 (M1, M2, M3)	
31	0151R00286	BASE VALVE 7/8", R32 (M4, M5, M6, M7)	
41	0151R00287	BASE VALVE 3/8", R32	
111	0130M20001	SWITCH HIGH PRESSURE	
201	60140209	GROMMET - RECHI COMPRESSOR (M1, M2, M3)	
211	0163M00186	SCREW-SHOULDER TF (M1, M2, M3)	
251	50Y4929V-ZALM	COMPRESSOR R-32 (M1, M2)	
251	55Y622UV-ZALM	COMPRESSOR, RECHI (M3)	
261	60101127	TERMINAL COVER GASKET (M1, M2, M3)	
271	60209905	TERMINAL METAL COVER (M1, M2, M3)	
281	60100403	TERMINAL NUT - RECHI COMP (M1, M2, M3)	
321	0159R00020	HARNESS, COMP SCROLL (M4)	
321	0159R00002P	HARNESS, COMP SCROLL 130 46" (M5, M6, M7)	
331	0162R00057	FILTER DRIER	
341	0121R00005PDG	BASE PAN, 26" PNT (M1, M2)	
341	0121R00006PDG	BASE PAN, 29" PNT (M3, M4)	
341	0121R01090PDG	PAINTED BASE PAN 35.5" (M5, M6, M7)	
361	YP29K1TPFVASE	COMPRESSOR (M4)	
361	YP34K1TPFVASC	COMPRESSOR (M5)	
361	YP40K1TPFVASC	COMPRESSOR (M6)	
361	YP51K1TPFVASC	COMPRESSOR (M7)	
371	M0221641	TF SHOULDER SCREW (M4, M5, M6, M7)	
381	B1339533	COMPRESSOR GROMMET (M4, M5, M6, M7)	

Expanded Model Nomenclature

- | |
|--------------------|
| M1 - GLXS4BA1810AA |
| M2 - GLXS4BA2410AA |
| M3 - GLXS4BA3010AA |
| M4 - GLXS4BA3610AA |
| M5 - GLXS4BA4210AA |
| M6 - GLXS4BA4810AA |
| M7 - GLXS4BA6010AA |

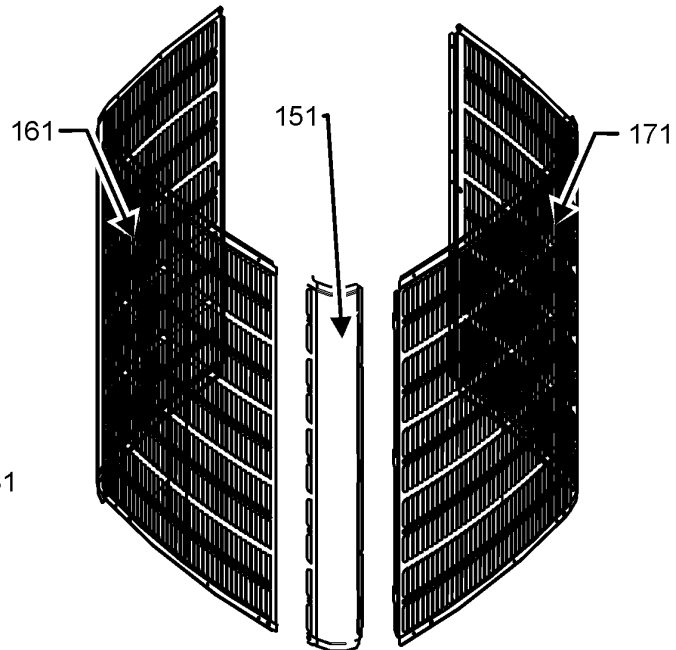
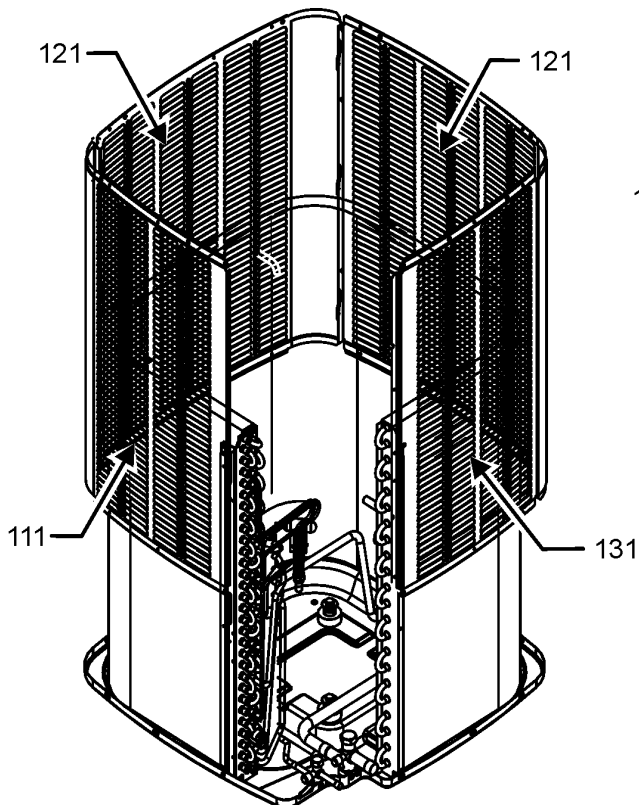
Top and Louver Panel Assembly

TOP PANEL AND LOUVER PANEL ASSEMBLY



LOUVER PANEL ASSEMBLY STYLE 1

LOUVER PANEL ASSEMBLY STYLE 2



TOP PANEL AND LOUVER PANEL ASSEMBLY MAY DIFFER FROM WHAT IS SHOWN

Top and Louver Panel Assembly

Ref. Part No:	Part No:	Description:	Ref. Part No:	Part No:	Description:
---------------	----------	--------------	---------------	----------	--------------

Image 1:

11	0121R00931PDG	PANEL, TOP 26. PNT (M1, M2)
11	0121R00935PDG	PANEL, TOP 29. PNT (M3, M4)
11	0121R00936PDG	TOP PANEL, 35. PNT (M5, M6, M7)
21	0131M00753	MOTOR, 1/6HP, 1SP, 8PL, AL (M3, M4, M5, M6)
21	0131M00969	MOTOR, 1/8HP, 8PL, PSC (M1, M2)
21	0131M00804	MOTOR, ECM (M7)
31	0152R00024	26 GRILLE CFS (M1, M2)
31	0152R00024	26 GRILLE CFS (M1, M2)
31	0152R00025	29 GRILLE CFS (M3, M4)
41	0163M00006P	ACORN NUT 5/16 HEX BLACK (QTY 4)
51	0150M00012	BLADE-FAN 20" CCW (M1, M2)
51	0150M00008	FAN BLADE, 22" TNT2203-25 (M3, M4)
51	0150M00054	FAN BLADE, 26" (M5, M6, M7)
61	0161R00103	26" VENTURI CFS (M1, M2)
61	0161R00104	29" VENTURI CFS (M3, M4)
61	0161R00105	35" VENTURI CFS (M5, M6, M7)
71	0161R00005P	CONDUIT (M5, M6)
71	0161R00122	CONDUIT (M1, M2)
71	0161R00123	CONDUIT (M3, M4)
71	0163M00385	CONDUIT-FLEXIBLE (M7)
81	0163M00003P	SCREW,#10 X 1/2,A,SLOT,SR,BLK (M3, M4, M5, M6, M7)
91	0154R00045	GASKET, CONTROL PANEL
111	0121R00228PDG	PANEL 1, LOUVER 35, 5MM, PNT (M5, M6)
111	0121R00229PDG	PANEL 1, LOUVER 35, 37.8 5MM, PNT (M7)
121	0121R00232PDG	PANEL 2, LOUVER 35 (M7)
121	0121R00231PDG	PANEL 2, LOUVER 35, 5MM, PNT (M5, M6)
131	0121R00235PDG	PANEL 3, LOUVER 35, 37.8 (M7)
131	0121R00234PDG	PANEL 3, LOUVER 35, 5MM, PNT (M5, M6)
151	0121R00347PDG	Louver Post, PDG 23.73 (M1, M2)
151	0121R00350PDG	Louver Post, PDG 28.73 (M3)
151	0121R00354PDG	Louver Post, PDG 36.30 (M4)
161	0121R00336PDGLS	Louver Panel, PDG 26" _23.73 (M1, M2)
161	0121R00342PDGLS	Louver Panel, PDG 29" _28.73 (M3)
161	0121R00346PDGLS	Louver Panel, PDG 29" _36.30 (M4)
171	0121R00336PDGRS	Louver Panel, PDG 26" _23.73 (M1, M2)
171	0121R00342PDGRS	Louver Panel, PDG 29" _28.73 (M3)
171	0121R00346PDGRS	Louver Panel, PDG 29" _36.30 (M4)
NS	0163M00004	SCREW,#10X3/4",BLK (QTY 4)
NS	0163M00005P	WASHER, BLACK (.50 OD .218D) (QTY 4)

Expanded Model Nomenclature

- | |
|--------------------|
| M1 - GLXS4BA1810AA |
| M2 - GLXS4BA2410AA |
| M3 - GLXS4BA3010AA |
| M4 - GLXS4BA3610AA |
| M5 - GLXS4BA4210AA |
| M6 - GLXS4BA4810AA |
| M7 - GLXS4BA6010AA |