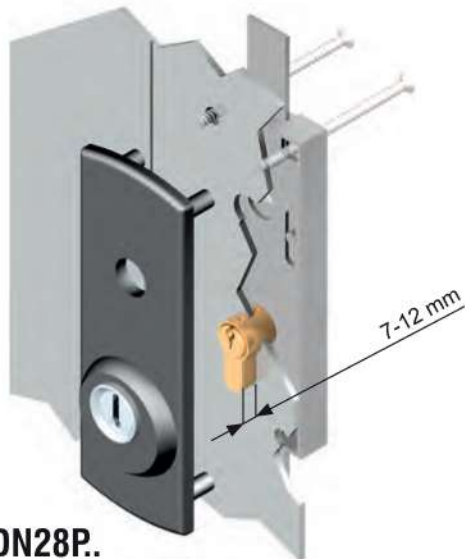
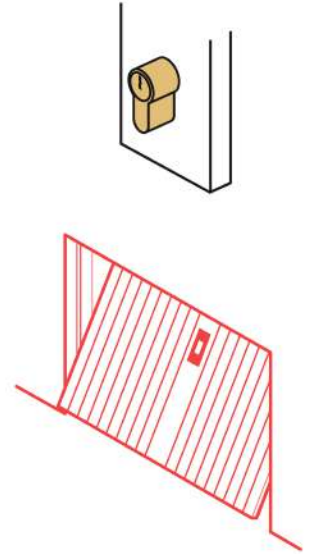
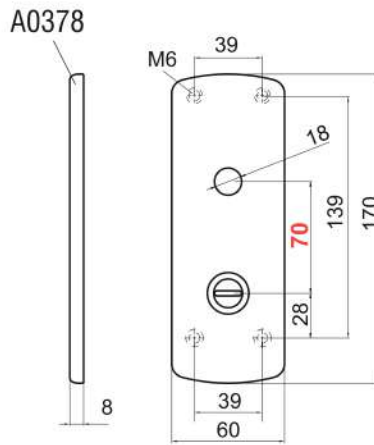
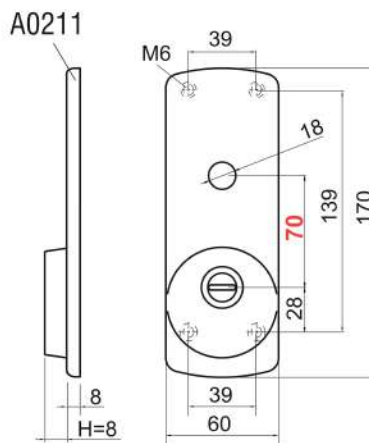


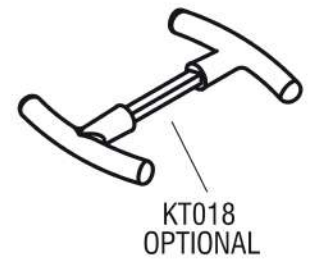
DN38P.



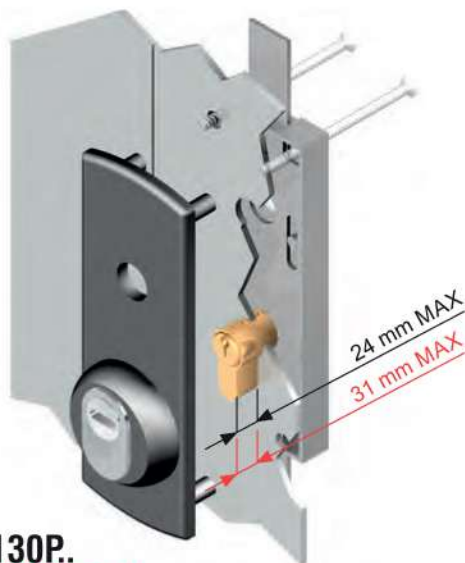
DN28P.



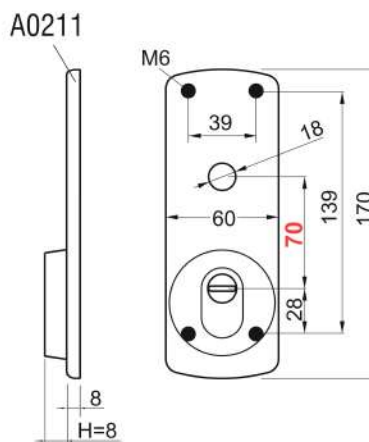
- X FASEM
- X ISEO
- X PREFER
- X VIRO
- X CISA



KT018
OPTIONAL



DN130P.
DN130P.max



N Nero
Black

Accessori
Accessories



KT018

Standard
S1
3.5

Dom
D1
5



pag.