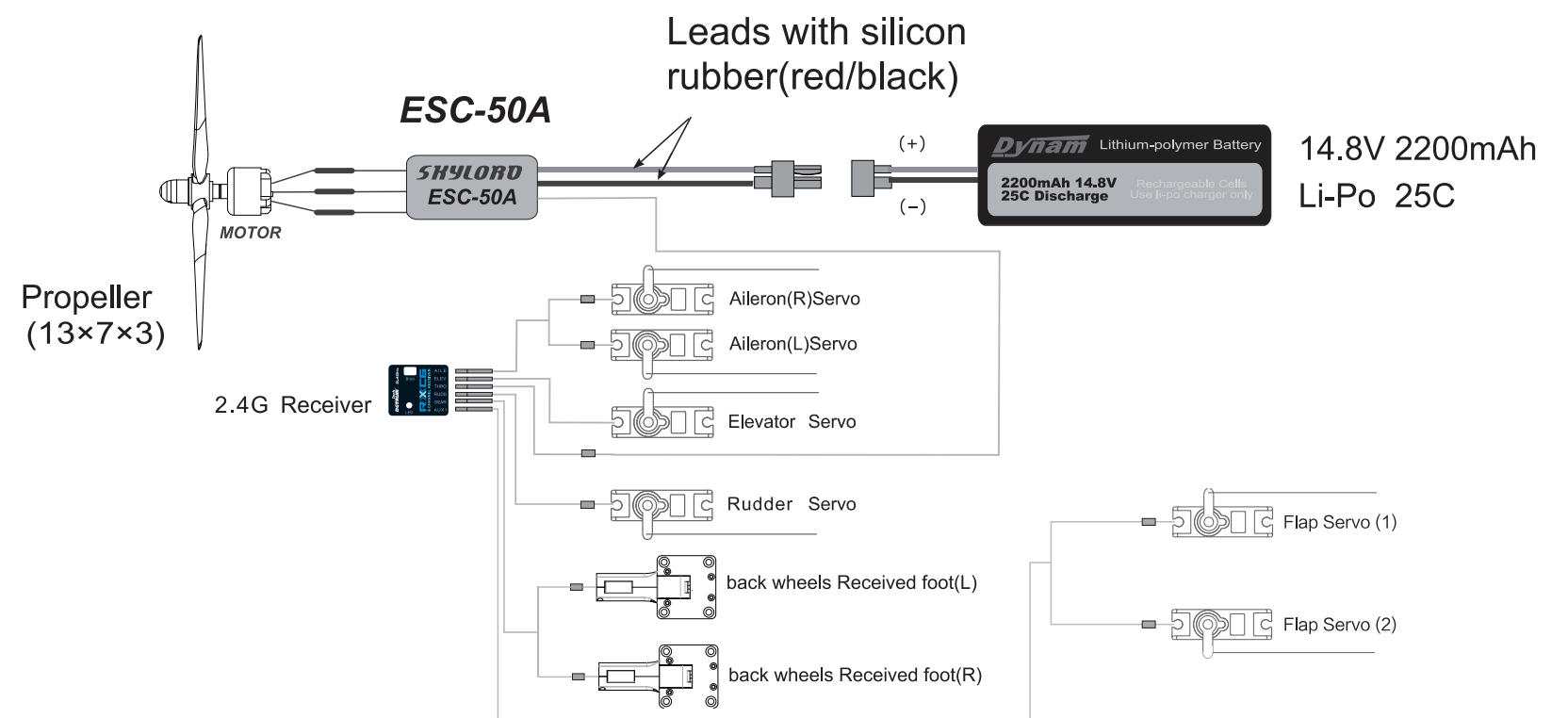
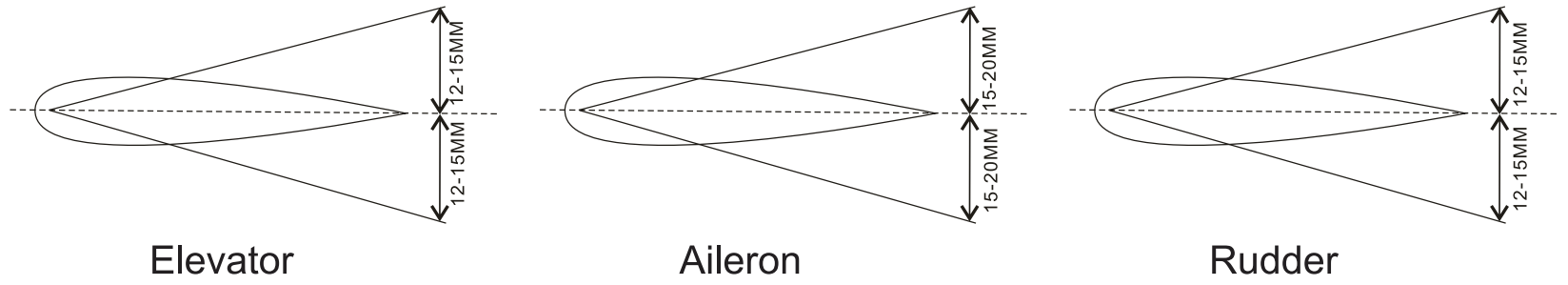


**► Specification:** Item: DY8951  
 Wingspan: ----- 1270mm (50in)  
 Overall Length: ----- 1163mm (45.8in)  
 Wing Loading: ----- 50g/dm<sup>2</sup>  
 Servo: ----- 9gx6pcs  
 Battery: ----- 14.8V 2200mAh Li-Po, 25C  
 Speed Controller: ----- 50A Brushless  
 Motor Size: ----- BM3720A-KV600 Brushless Outrunner  
 Flying Weight: ----- 1250g(44.09oz)

### DIRECTIONS FOR ASSEMBLY AND ADJUSTMENT

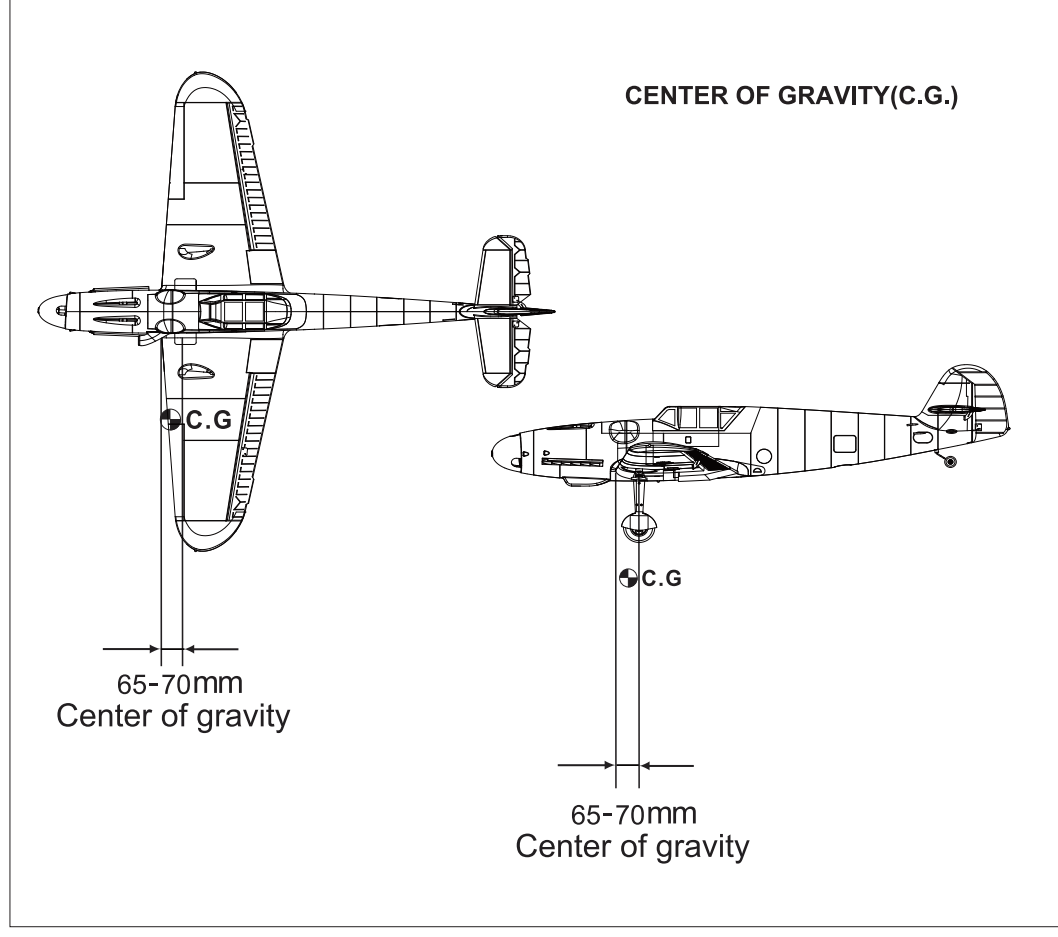
**SPARE PART LIST:**


### Suggest Control Throw Setting



**ASSEMBLY:**

- Apply the foam glue on the slot of wing and glue the LED light system in position.
- Insert ø8x400mm glass fiber tube into left and right wing, and connect the wings together.
- Glue the plastic part on the wing.
- Glue the plastic scale exhaust stacks.
- Connect the aileron servos with Y wires.
- Connect the E-retract with Y wires.
- Fix the wing on fuselage with PA2.3x20mm screw.
- Fix the wing with Ø6x50mm screw.
- Fix the rear landing gear on fuselage with 1.5mm hexangular screwdriver.
- Glue the scale antenna.
- Push Ø5x235mm glass fiber tube into horizontal stabilizers and fuselage, then glue them together.
- Install elevator push rod as shown.
- Install the rudder push rod as shown.
- Install the propeller.
- Install the spinner with PWMx10mm screw.
- It shows how to open the canopy.



**DECAL:**

**WARNINGS**

- The product is not intended for those under 14 years of age without proper adult supervision. The product is not a toy. It is a precision machine requiring proper assembly and setup to avoid accidents and it is the responsibility of the owner to operate this product in a safe manner as it can cause serious personal injury and damage to property due to carelessness or misuse.
- The spinning rotors on this product can be dangerous! When operating/flying, always be aware of the spinning rotors. Be careful not to let them come close to your body, other people or loose clothing. Keep your hands, fingers and any articles of clothing away from the rotors.
- Do not attempt to disassemble or modify any of the product components without the assistance of an experienced RC user.
- Only use the correct type of battery to operate. Using any wrong type of battery will damage the product and possibly make it dangerous to operate.
- The motor(s) may get hot during use. Always allow 10-15 minutes between each flight for the motor to cool down. This will prolong the life of your product.
- Choose an appropriate operating site consisting of flat, smooth ground, and clear open field. Do not operate near buildings, high voltage cable lines, or trees to ensure safety operation. Operate in safe area only, away from other people. RC models are prone to accidents, failures, and crashes due to a variety of reasons including, lack of maintenance, pilot error, and radio interference. Pilots are responsible for their actions and damage or injury occurring during the operation.
- Do not operate in inclement weather, such as rain, wind, snow and darkness.
- The product is composed of precision electrical components. It is critical to keep the product away from moisture and other contaminants. Do not allow them to get wet. Electrical damage may occur that could affect safe operation.

Dynam RC guarantees this product to be free of manufacturing faults and material defects. This product has been checked and fine tuned individually by professional pilot and quality control pilot. The warranty does not cover any component parts damaged by use and modification. Please visit <http://www.dynam-rc.cn> for updated product information.

This product is not a toy. It is not recommended for children under 14 years old and any minor should be accompanied by an adult when operating. This product is a precision machine that requires proper assembly and setup to avoid accidents. Failure to take caution when operating this product may result in serious injury or property damage. It is the owner's responsibility to operate this product in a safe manner. Manufacturer and its distributors are not responsible in any way for any and all bodily injury(s) and/or property damage that may occur from the use of or caused by in any way of this product.

This product contains chemicals known to the State of California to cause cancer, birth defects or other reproductive harm. Please recycle.

**Charge the Li-Po battery pack**

Disconnect the battery from the charger when the charging process completed. Do not charge the battery unattended at all time.

**Lithium Polymer (LiPo) Battery Warnings**

- Never charge a lithium polymer battery with a charger designed for NiCd, NiMH, or any other type of battery chemistry. Use ONLY charger designed for LiPo battery.
- Do not leave LiPo battery unattended during charging.
- Do not overcharge the battery.
- Always put the LiPo battery inside a charging protection container while charging.
- Do not allow LiPo cells to overheat at any time. Cells which reach greater than 140 Fahrenheit (60°C) will usually become damaged and will catch fire.
- Do not allow LiPo cells on or near combustible materials including paper, plastic, carpets, vinyl, leather, and wood, inside an R/C model or full size automobile.
- Do not over discharge LiPo; doing so will damage the battery.
- Do not expose LiPo cell to water or moisture at any time.
- Do not store battery near open flame or heater.
- Do not assemble LiPo cells or pre-assembled packs together with other LiPo cells or packs.
- Always store LiPo battery in a secure location away from children.
- Always remove the LiPo battery if model is involved in any kind of crash. Carefully inspect the battery and connectors for even the smallest damage. CAUTION: cells may be hot!
- Do not allow the electrolyte to get into eyes or on skin. Wash affected areas immediately if they come into contact with electrolyte. Do not alter or modify connectors or wires of a LiPo battery pack.
- Always inspect the condition of the battery before charging and operating.
- Do not short circuit the LiPo battery.
- Do not have contact with a leaky/damaged battery directly.
- Do not charge battery out of recommended temperature rang (0°C-45°C)