

L663 DEFENDER ACCESSORIES

REDEFINED



STORM Accessories | **RISPERA** STYLING

WWW.4X4NI.COM



INTRODUCING THE DEFENDER L663 ACCESSORIES

Welcome to the epitome of automotive excellence, – introducing the Defender L663 Accessories by Storm Xccessories & Risper Styling. With years dedicated to crafting and sourcing the most exceptional products, we proudly present a line that seamlessly blends functionality, innovative design, and unparalleled styling.

Join us on a journey where form meets function, where design meets innovation – Storm Xccessories & Risper Styling proudly introduces the Defender L663 Accessories, a testament to our unwavering commitment to automotive excellence.

FUNCTIONAL

AESTHETIC

PROTECTIVE

HIGH-PERFORMANCE



STORM
Xccessorie

EXTERIOR FUNCTION



SIDE STEPS



OEM Inspired. Variants for 90/110/130 wheel base models. Available in Black & Silver finishes.

ROOF RACKS



OEM Inspired. Variants for 90/110 wheel base models. Available in Black & Silver finishes.

MUD FLAPS



OEM or CLASSIC variations. Direct fitment, protect your paintwork.

ROOF RAILS



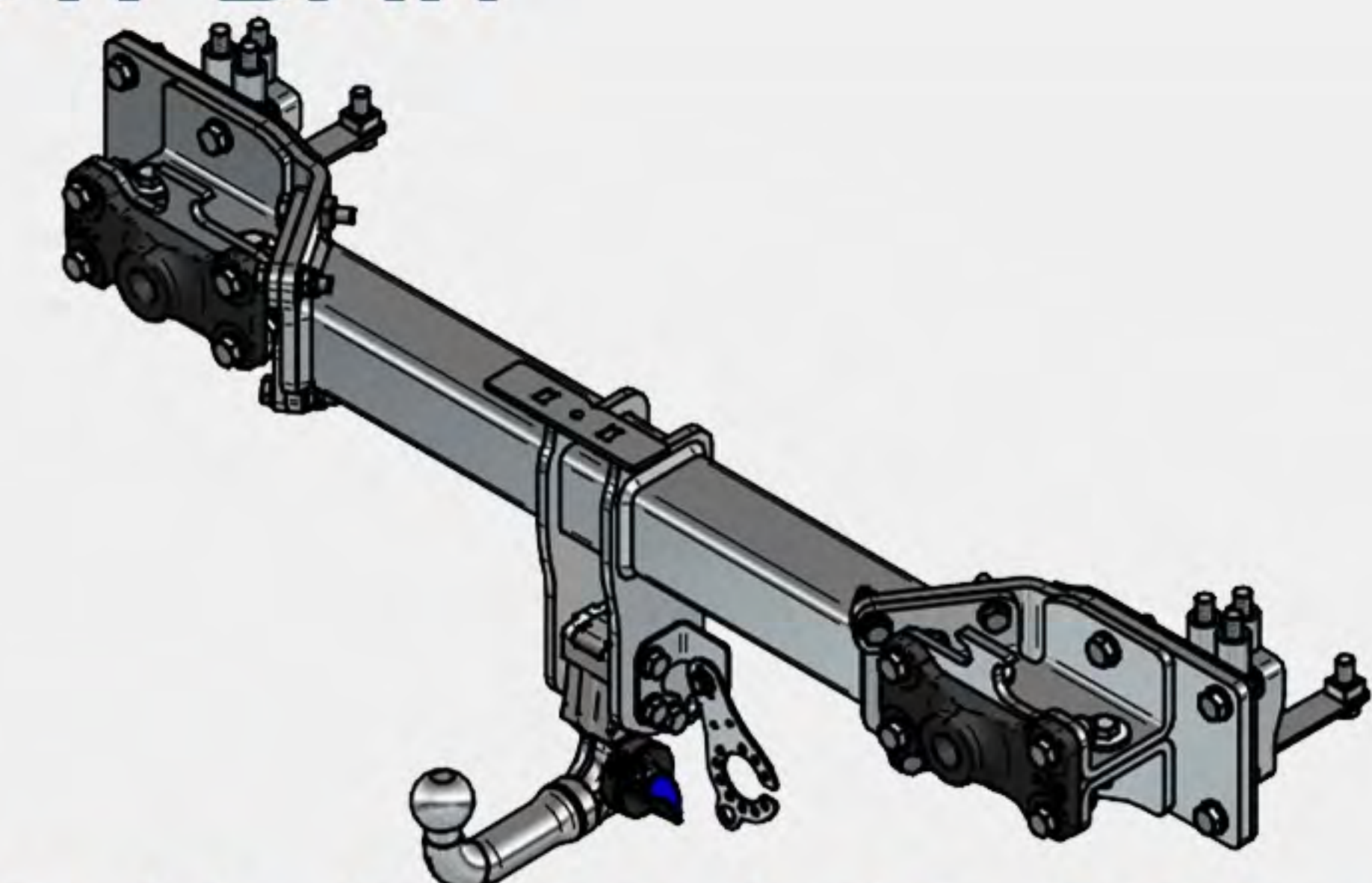
OEM Inspired, Options for 90 & 110 wheel base. Black Or Silver available.

SUMP PROTECTION



For those off road adventures, available in black or silver & OE Fit or Easy Fit options.

TOW BAR



Suitable for 90 / 110 / 130 wheel base. Swan Neck detachable towing system.



END-TO-END

FRONT SPLITTER V2



High gloss black front splitter, adding depth and aggression. Integrated DRL Lights.

FRONT SPLITTER V1



Low line front splitter, finished in gloss black with accent canards.

CARBON BONNET



Ultra 2x2 Weave genuine carbon fiber bonnet with vented detail.

BUMPER CANARDS



Low line front bumper canards, supplied in pairs.

BONNET VENTS



Exaggerated bonnet vent covers finished in gloss black. Fits OE & Carbon bonnet.

A PILLAR UPGRADE



All gloss black A pillar replacement, to help enhance & complete the overall black out look.

FRONT END STYLING



The image features two Land Rover SUVs. The top vehicle is a Land Rover Defender, characterized by its boxy, utilitarian design, a silver front grille, and a silver bumper. The bottom vehicle is a Land Rover Range Rover, featuring a sleeker, more modern design with a black front grille and a black bumper. Both vehicles are shown from a front-three-quarter perspective. The word "TRANSFORMATION" is written in large, bold, white capital letters across the center of the image, positioned between the two cars. The background consists of a grey wall with horizontal panels and a paved ground.

TRANSFORMATION

SIDE STYLING



WIDE ARCH KIT



Extended wide arch kit, Options for 90/110 finished in gloss or matte black.

BLACK SIDE SILLS



Gloss black lower side sills. Convert your standard side panels to full gloss black.

BLACK SIDE VENTS



Another addition to our full black pack. Convert your side vents to ultra gloss black.

GEAR CARRIER



Side mounted load box, available in gloss black or vehicle colour code.

SIDE LADDER



Access the roof load with ease, our flip out side ladder is available in gloss black & Silver.

SNORKEL



Add style & function with our off road snorkel, available in gloss or matter black.

LIGHTING OPTIONS

SMOKED TAIL LAMPS



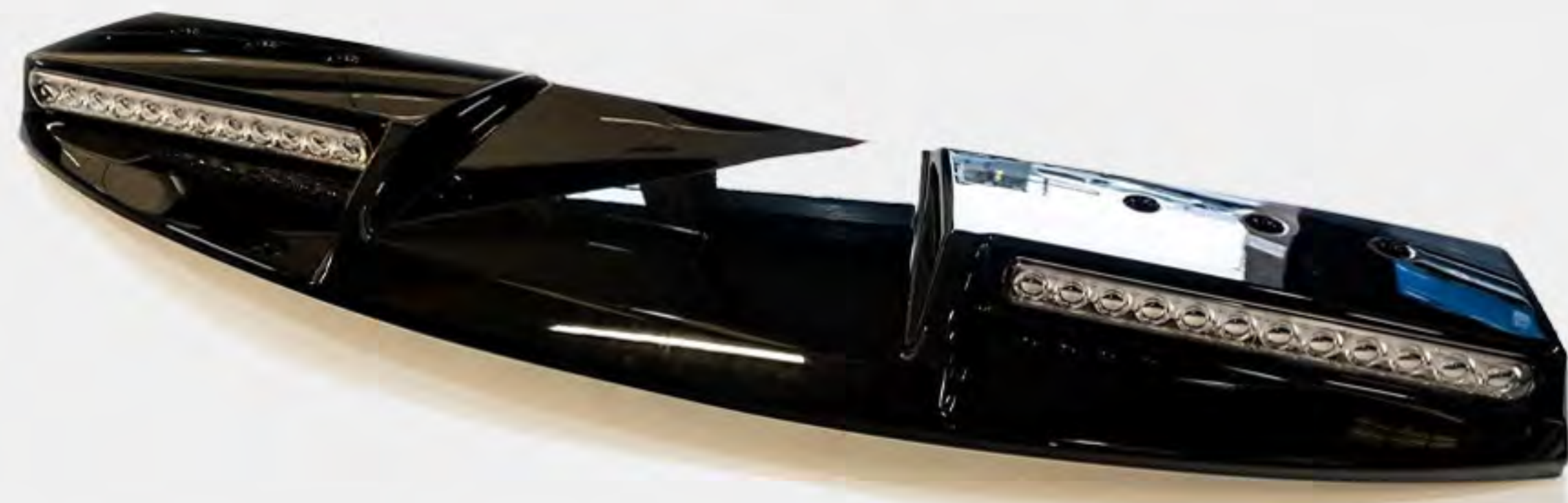
Genuine LR product, Upgrade your defender to the Defender X Style.

ROOF LIGHT POD V2



LED roof light pod with quad LED lamps. Available in gloss black or genuine carbon.

ROOF LIGHT POD V1



LED roof light pod with dual LED lamps. Available in gloss black or genuine carbon.

LED GRILL



Dual bar LED gloss black grill with sequential start up sequence.

REVERSE LIGHTS



Ultra bright reverse light upgrade! See & be seen.

LAZER LAMPS



We also carry the full range of lazer lamps. Stand alone & Integration kits.



REAR STYLING



WHEEL COVER



Fully protect your spare wheel, up to 23" wheels. Available in gloss black or colour coded.

BUMPER PROTECTOR



Covers the rear threshold & is ideal for protecting your paint. Finished in gloss black.

DUCK TAIL SPOILER



A much more pronounced spoiler adding a unique look to the rear of the defender.

SPARE REMOVAL



Spare wheel removal kit, colour coded & ideal for urban parking.

REAR SPOILER V1



A great addition to the defender, add style with this V2 gloss black spoiler.

REAR SPOILER V1



A great addition to the defender, add style with this V2 gloss black spoiler.

FLOOR MATS



Deep dish mud block floor mats. Rubberized & options for both 90 & 110 wheel base.

INTERIOR DRESS UP



A comprehensive gloss black interior dress up kit. Direct OEM replacements.

CHARGE BOX



Add wireless charging to your defender easily with our plug & play charge box.

BOOT STORAGE



Make organisation easy with our under floor boot storage box.

HEATED WHEEL



Upgrade your interior with our heated napa leather steering wheel.

STORAGE INSERTS



Multiple interior options available with our handy non slip storage inserts.

INTERIOR OPTIONS



ADDITIONAL OPTIONS



BLACK PACK



Save time, money & effort waiting on body shops. Complete front & rear black pack.

CROSS BARS



Additional roof storage with these OEM inspired roof cross bars.

DYNAMIC INDICATORS



Smoked dynamic indicator units, an ideal subtle upgrade.

BOOT MAT



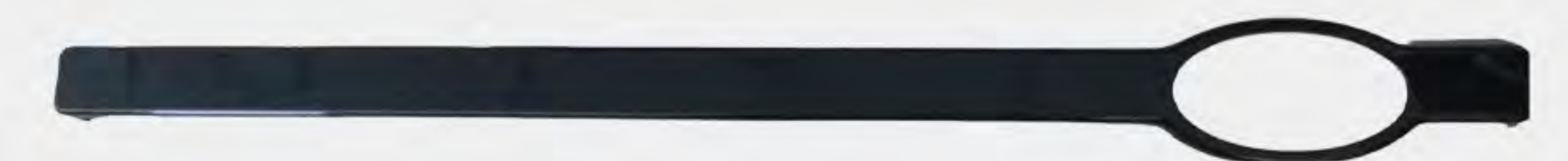
Protect the rear load area of your defender with our mud block deep rubber mat.

ANTI SCRATCH KIT



Additional exterior protection with our chequered look anti scratch kit.

GLOSS GRILL



Gloss black upper replacement grill. An ideal simple upgrade.

WHEEL & TYRES

A comprehensive selection of alloy wheels & tyres.
Ranging from 20" - 23" we have multiple styles in stock.



STORM
Xccessories

RISPERA X
STYLING

MILLTEK
SPORT



Storm Xccessories Ltd, Are proud Milltek UK Authorised dealers. We carry the full defender range and can offer a supply only or supply & fit basis.



STORM
Accessories

RISPER
STYLING

For further enquires or information
please contact a sales team member.

www.4x4ni.com

www.risper.com

NI Sales: 028 7940 1222

UK Sales: 01905 670033

ROI Sales: 01864 1077