

Multisec White

The renowned Multisec range adds function and elegance to any room, thanks to its clean multi column design and high quality construction. Choose from 2-4 column models in a range of heights and widths.

Towel bar options

Multisec towel bar	PRICE (ex VAT)	PRICE (inc VAT)	Code
Suitable for 8 sections	£132.00	£158.40	MSTBP-08
Suitable for 11 sections	£135.30	£162.36	MSTBP-11



Shown here with
Radius chrome
angled manual valves.

Sizes:	Material:	Operating up to:	Delivery:	Guarantee:
17	S	10bar	3-5days	5yrs

Sizes:	Material:	Operating up to:	Delivery:	Guarantee:
21	S	10bar	3-5days	5yrs

Multisec 2 Column Stocked - White (RAL 9016)

2 Column (depth 66mm)

Height mm	Sections	Code	PRICE (exVAT)	PRICE (inc VAT)	Width mm	Wall to face	Tapping from wall	Centres	Heat output Δt 50°C		Dry weight kg
									Watts	Btu	
500	6	MSWW-B-2-0500-06	£129.36	£155.23	300	98 / 108	65 / 75	300	241	822	4.62
	10	MSWW-B-2-0500-10	£215.60	£258.72	484	98 / 108	65 / 75	484	401	1368	7.70
	13	MSWW-B-2-0500-13	£280.28	£336.34	622	98 / 108	65 / 75	622	521	1778	10.01
	17	MSWW-B-2-0500-17	£366.52	£439.82	806	98 / 108	65 / 75	806	682	2327	13.09
	21	MSWW-B-2-0500-21	£452.76	£543.31	990	98 / 108	65 / 75	990	842	2873	16.17
	26	MSWW-B-2-0500-26	£560.56	£672.67	1220	98 / 108	65 / 75	1220	1043	3559	20.02
30	MSWW-B-2-0500-30	£646.80	£776.16	1404	98 / 108	65 / 75	1404	1203	4105	23.10	

Water content = 0.53 litres per section

Height mm	Sections	Code	PRICE (exVAT)	PRICE (inc VAT)	Width mm	Wall to face	Tapping from wall	Centres	Heat output Δt 50°C		Dry weight kg
									Watts	Btu	
600	6	MSWW-B-2-0600-06	£135.10	£162.12	300	98 / 108	65 / 75	300	283	966	5.46
	10	MSWW-B-2-0600-10	£225.16	£270.19	484	98 / 108	65 / 75	484	471	1607	9.10
	13	MSWW-B-2-0600-13	£292.71	£351.25	622	98 / 108	65 / 75	622	612	2088	11.83
	17	MSWW-B-2-0600-17	£382.77	£459.33	806	98 / 108	65 / 75	806	801	2733	15.47
	21	MSWW-B-2-0600-21	£472.84	£567.40	990	98 / 108	65 / 75	990	989	3374	19.11
	26	MSWW-B-2-0600-26	£585.42	£702.50	1220	98 / 108	65 / 75	1220	1225	4180	23.66
30	MSWW-B-2-0600-30	£675.48	£810.58	1404	98 / 108	65 / 75	1404	1413	4821	27.30	

Water content = 0.61 litres per section

Height mm	Sections	Code	PRICE (exVAT)	PRICE (inc VAT)	Width mm	Wall to face	Tapping from wall	Centres	Heat output Δt 50°C		Dry weight kg
									Watts	Btu	
1800	6	MSWW-B-2-1800-06	£298.42	£358.11	300	98 / 108	65 / 75	300	805	2747	15.60
	8	MSWW-B-2-1800-08	£397.90	£477.48	392	98 / 108	65 / 75	392	1073	3661	20.80
	11	MSWW-B-2-1800-11	£547.11	£656.53	530	98 / 108	65 / 75	530	1475	5033	28.60

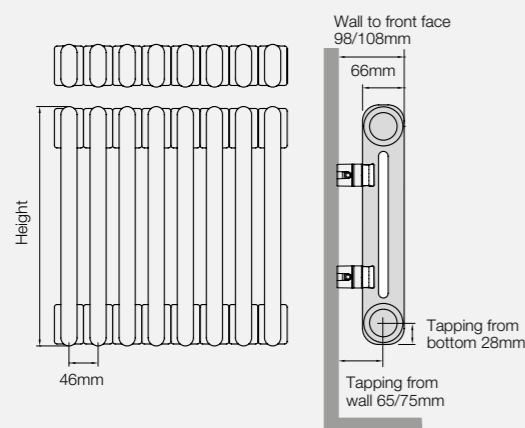
Water content = 1.58 litres per section

Feet options

N.B. Feet add 100mm to the overall height of radiator	PRICE (exVAT)	PRICE (inc VAT)	Code
2 column slip-on foot	£31.00	£37.20	MSW-SLF02
Cast iron foot	£31.50	£37.80	ZXSEC-CAST



Recommended feet:		
6-17 sections: 2	21-35 sections (odd): 3	26-40 sections (odd): 4



Multisec 3 Column Stocked - White (RAL 9016)

3 Column (depth 107mm)

Height mm	Sections	Code	PRICE (exVAT)	PRICE (inc VAT)	Width mm	Wall to face	Tapping from wall	Centres	Heat output Δt 50°C		Dry weight kg
									Watts	Btu	
500	6	MSWW-B-3-0500-06	£134.40	£161.28	300	139 / 149	85.5 / 95.5	300	331	1129	6.96
	10	MSWW-B-3-0500-10	£224.00	£268.80	484	139 / 149	85.5 / 95.5	484	552	1883	11.60
	13	MSWW-B-3-0500-13	£291.20	£349.44	622	139 / 149	85.5 / 95.5	622	718	2450	15.08
	17	MSWW-B-3-0500-17	£380.80	£456.96	806	139 / 149	85.5 / 95.5	806	938	3200	19.72
	21	MSWW-B-3-0500-21	£470.40	£564.48	990	139 / 149	85.5 / 95.5	990	1159	3955	24.36
	26	MSWW-B-3-0500-26	£582.40	£698.88	1220	139 / 149	85.5 / 95.5	1220	1435	4896	30.16
	30	MSWW-B-3-0500-30	£672.00	£806.40	1404	139 / 149	85.5 / 95.5	1404	1656	5650	34.80
	35	MSWW-B-3-0500-35	£784.00	£940.80	1634	139 / 149	85.5 / 95.5	1634	1932	6592	40.60
	40	MSWW-B-3-0500-40	£896.00	£1075.20	1864	139 / 149	85.5 / 95.5	1864	2208	7534	46.40

Water content = 0.79 litres per section

Height mm	Sections	Code	PRICE (exVAT)	PRICE (inc VAT)	Width mm	Wall to face	Tapping from wall	Centres	Heat output Δt 50°C		Dry weight kg
									Watts	Btu	
600	6	MSWW-B-3-0600-06	£150.38	£180.46	300	139 / 149	85.5 / 95.5	300	391	1334	8.22
	10	MSWW-B-3-0600-10	£250.64	£300.77	484	139 / 149	85.5 / 95.5	484	652	2225	13.70
	13	MSWW-B-3-0600-13	£325.83	£391.00	622	139 / 149	85.5 / 95.5	622	848	2893	17.81
	17	MSWW-B-3-0600-17	£426.09	£511.31	806	139 / 149	85.5 / 95.5	806	1108	3780	23.29
	21	MSWW-B-3-0600-21	£526.34	£631.61	990	139 / 149	85.5 / 95.5	990	1369	4671	28.77
	26	MSWW-B-3-0600-26	£651.66	£782.00	1220	139 / 149	85.5 / 95.5	1220	1695	5783	35.62
	30	MSWW-B-3-0600-30	£751.92	£902.30	1404	139 / 149	85.5 / 95.5	1404	1956	6674	41.10
	35	MSWW-B-3-0600-35	£877.24	£1052.69	1634	139 / 149	85.5 / 95.5	1634	2282	7786	47.95
	40	MSWW-B-3-0600-40	£1002.56	£1203.07	1864	139 / 149	85.5 / 95.5	1864	2608	8898	54.80

Water content = 0.91 litres per section

Height mm	Sections	Code	PRICE (exVAT)	PRICE (inc VAT)	Width mm	Wall to face	Tapping from wall	Centres	Heat output Δt 50°C		Dry weight kg
									Watts	Btu	
1800	6	MSWW-B-3-1800-06	£413.16	£495.79	300	139 / 149	85.5 / 95.5	300	1081	3688	23.46
	8	MSWW-B-3-1800-08	£550.88	£661.05	392	139 / 149	85.5 / 95.5	392	1442	4920	31.28
	11	MSWW-B-3-1800-11	£757.46	£908.95	530	139 / 149	85.5 / 95.5	530	1982	6763	43.01

Water content = 2.35 litres per section

Feet options

N.B. Feet add 100mm to the overall height of radiator	PRICE (exVAT)	PRICE (inc VAT)	Code
3 column slip-on foot	£31.00	£37.20	MSW-SLF03
Cast iron foot	£31.50	£37.80	ZXSEC-CAST



Recommended feet:		
6-17 sections: 2	21-35 sections (odd): 3	26-40 sections (odd): 4

