

GlammFire

Perola

Premium



Perola is pure expression of balance and elegance. Its deep inspiration from the sea is creatively expressed by its distinctive design features: the quality of materials, harmony of its lines and flexible adjustment. Aesthetically and functionally, Perola has a high-end finishing and represents GlammFire's outstanding craftsmanship and its approach to the concept of hanging decorative fireplace. Your room deserves both comfort and personality.

GlammFire

Recuperadores Pachinha Lda.
Zona Industrial da Lagoa, Lote G1
4950-850 CORTES - MONÇÃO
PORTUGAL

Tel(+351) 251 654 800
Fax(+351) 251 654 801
info@glammfire.com
www.glammfire.com

Dimensions// 2000—2200 H x 775Ø mm

Weight// 100 kg

Accessories// - -

Burner l// 2 litres (liquid bioethanol)

Power// 2,70 kW

Burning time// Position min. 2 litres/ 6h

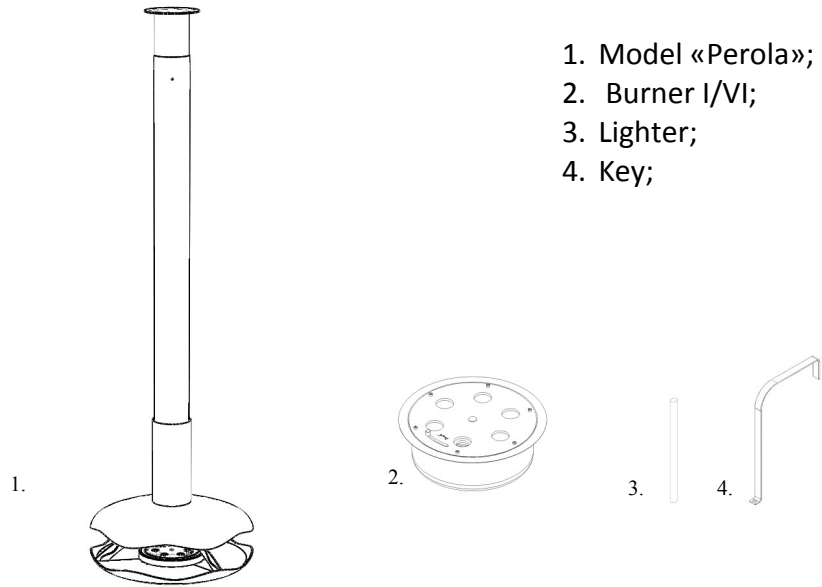
Position max. 2 litres/ 4h

glamm[®]
fire

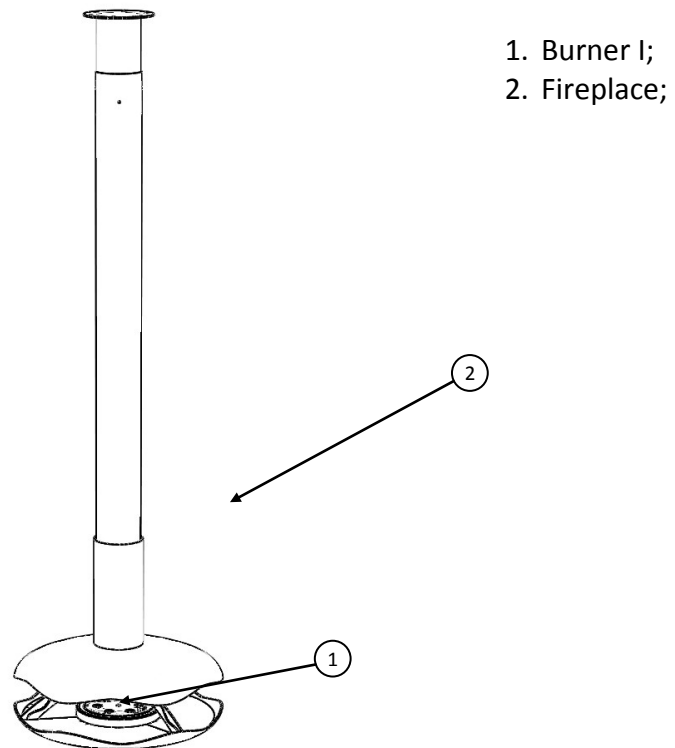
GlammFire

Perola

Material Supplied



Components



GlammFire

Recuperadores Pachinha Lda.
Zona Industrial da Lagoa, Lote G1
4950-850 CORTES - MONÇÃO
PORTUGAL

Tel(+351) 251 654 800
Fax(+351) 251 654 801
info@glammfire.com
www.glammfire.com

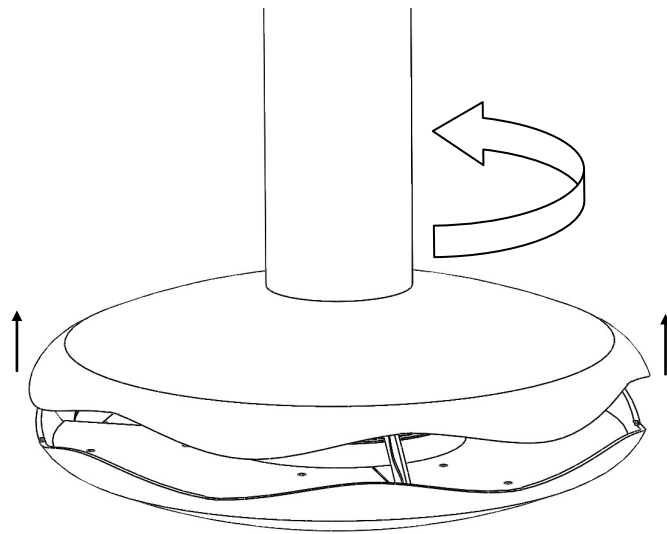
glamm[®]
fire

GlammFire

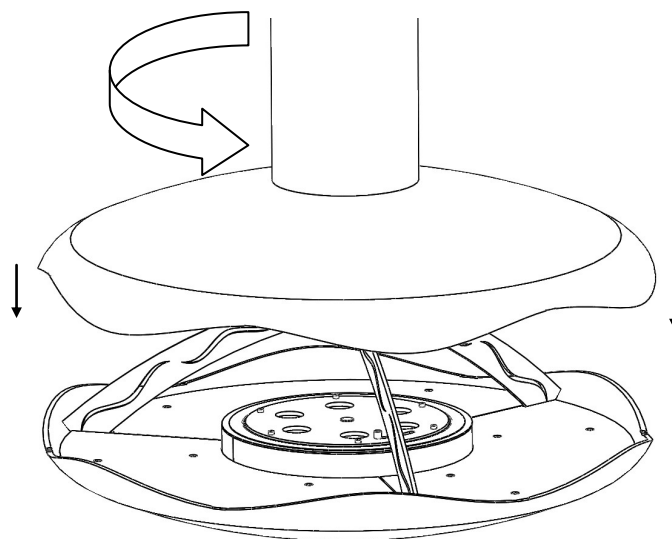
Perola

Operation

Rotate the superior dome in clockwise direction when you need to come down, and turn it in the opposite way when you need it to rise up.



Rotate the dome up, in order to place and filling-in the Burner.



GlammFire

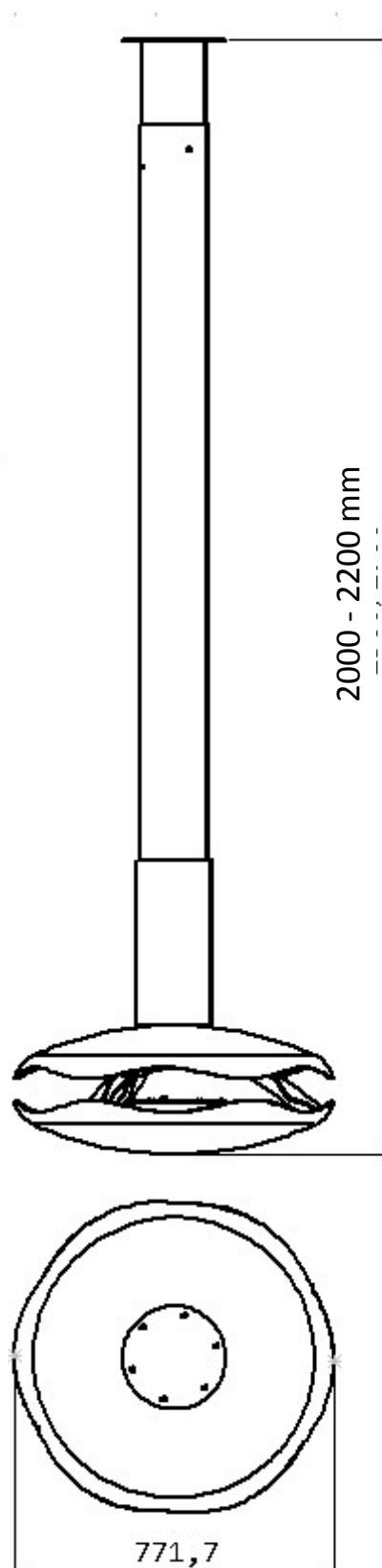
Recuperadores Pachinha Lda.
Zona Industrial da Lagoa, Lote G1
4950-850 CORTES - MONÇÃO
PORTUGAL

Tel(+351) 251 654 800
Fax(+351) 251 654 801
info@glammfire.com
www.glammfire.com

glamm[®]
fire

GlammFire

Perola



GlammFire

Recuperadores Pachinha Lda.
Zona Industrial da Lagoa, Lote G1
4950-850 CORTES - MONÇÃO
PORTUGAL

Tel(+351) 251 654 800
Fax(+351) 251 654 801
info@glammfire.com
www.glammfire.com

glamm[®]
fire

PT06586-B