

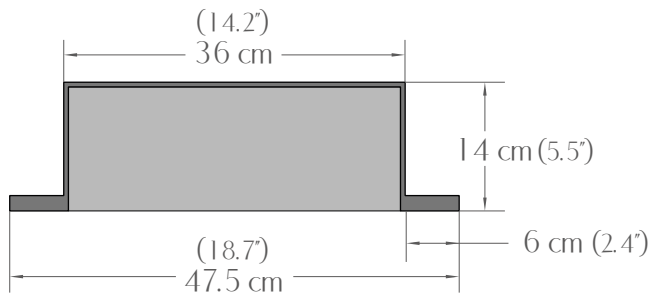


BIO FIRES

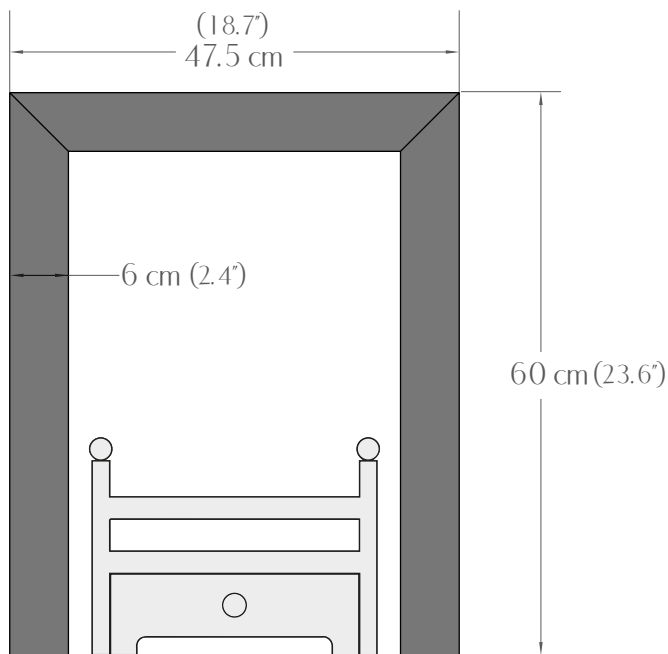
www.biofires.com

tel. 020 7724 1919

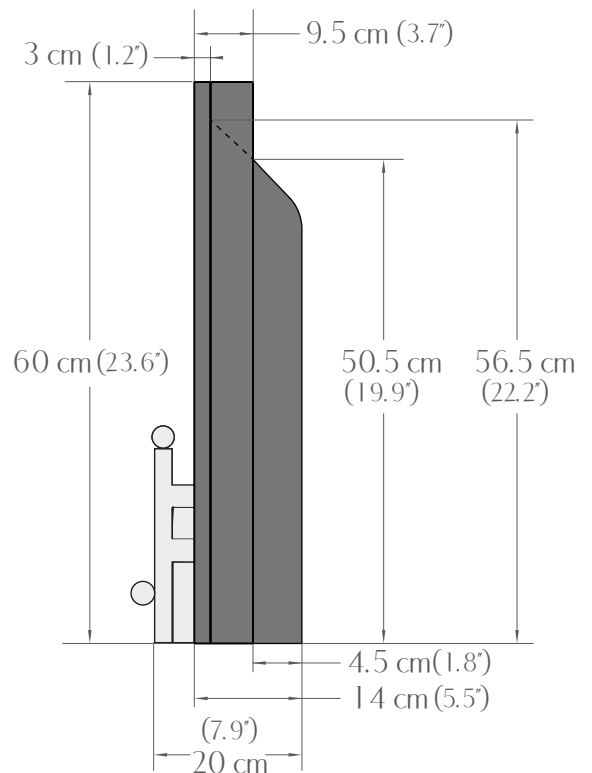
DIY BIO ETHANOL INSERT



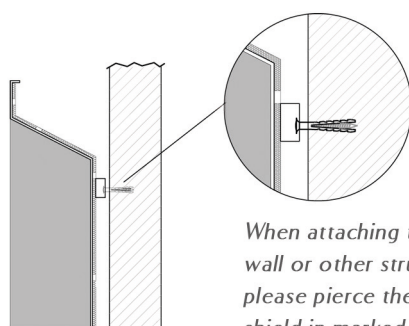
PLAN



FRONT

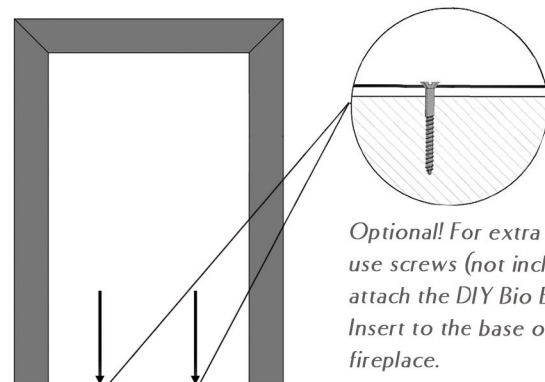


SIDE



FITTING

When attaching to the wall or other structures, please pierce the back shield in marked spaces to get to the fittings.



Optional! For extra stability use screws (not included) to attach the DIY Bio Ethanol Insert to the base of your fireplace.

The measurements are for guidance purposes only.

WARNING! This fire insert will produce real flame so all regular safety precautions and common sense should be employed. **NOTE:** Every mantel-piece is different! If your fire was produced as an electric fireplace and is made of wood or MDF, please make sure that when using our DIY Insert you replace the back panel of your fireplace with non-flammable material. We recommend using the Vermiculite Board for this purpose. If unsure, call us for advice within office hours on 020 7724 1919.