



REGULATING BIO CONTAINER (75)

RIBBON FLAME BURNER

PRODUCT SPECIFICATION &
INSTALLATION MANUAL

LINE OF FIRE

- Burns bioethanol
- Up to 7 hours per 2.8L refill
- 75cm long
- No extra air vents necessary
- Laboratory tested



NO gas

NO flue

NO smoke



Tel.: 0207 724 1919
2 Abingdon Rd, Kensington
London W8 6AF
www.biofires.com

Please note that the information and advice contained in this installation manual applies to our burners only.

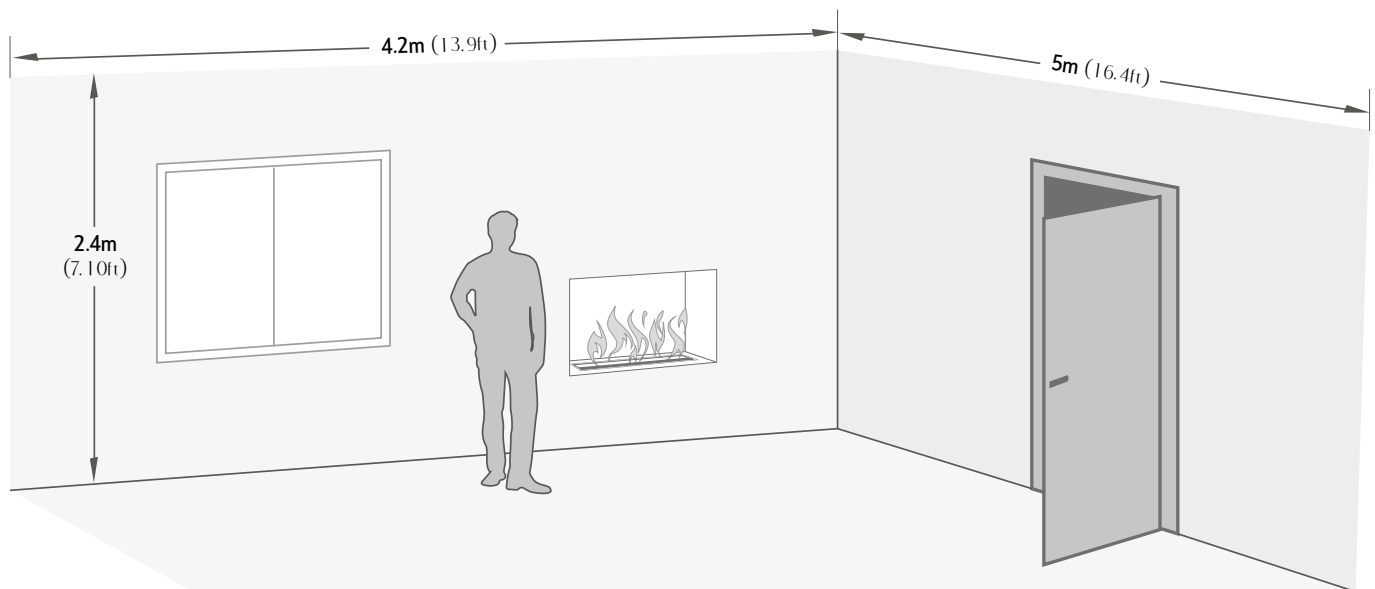


Simple yet effective structure with a special safety tray and a regulating lid.

KEY POINTS:

- **Burning time:** approx. 3.5–7 hours per refill
- **One refill takes:** 2.8L of bioethanol fuel
- **Effective running cost:** approx. £1 per hour (based on buying fuel in bulk)
- **Heat output:** 4–5.7Kw
- **Flame regulation:** regulating lid and tool
- **Flue needed:** no
- **Ventilation needed:** window in the room
- **Fumes, smoke and carbon (soot) produced:** none (if flame is not obstructed)
- **Smell:** virtually none
- **Minimum room size:** approx. 50m³

MINIMUM ROOM SIZE



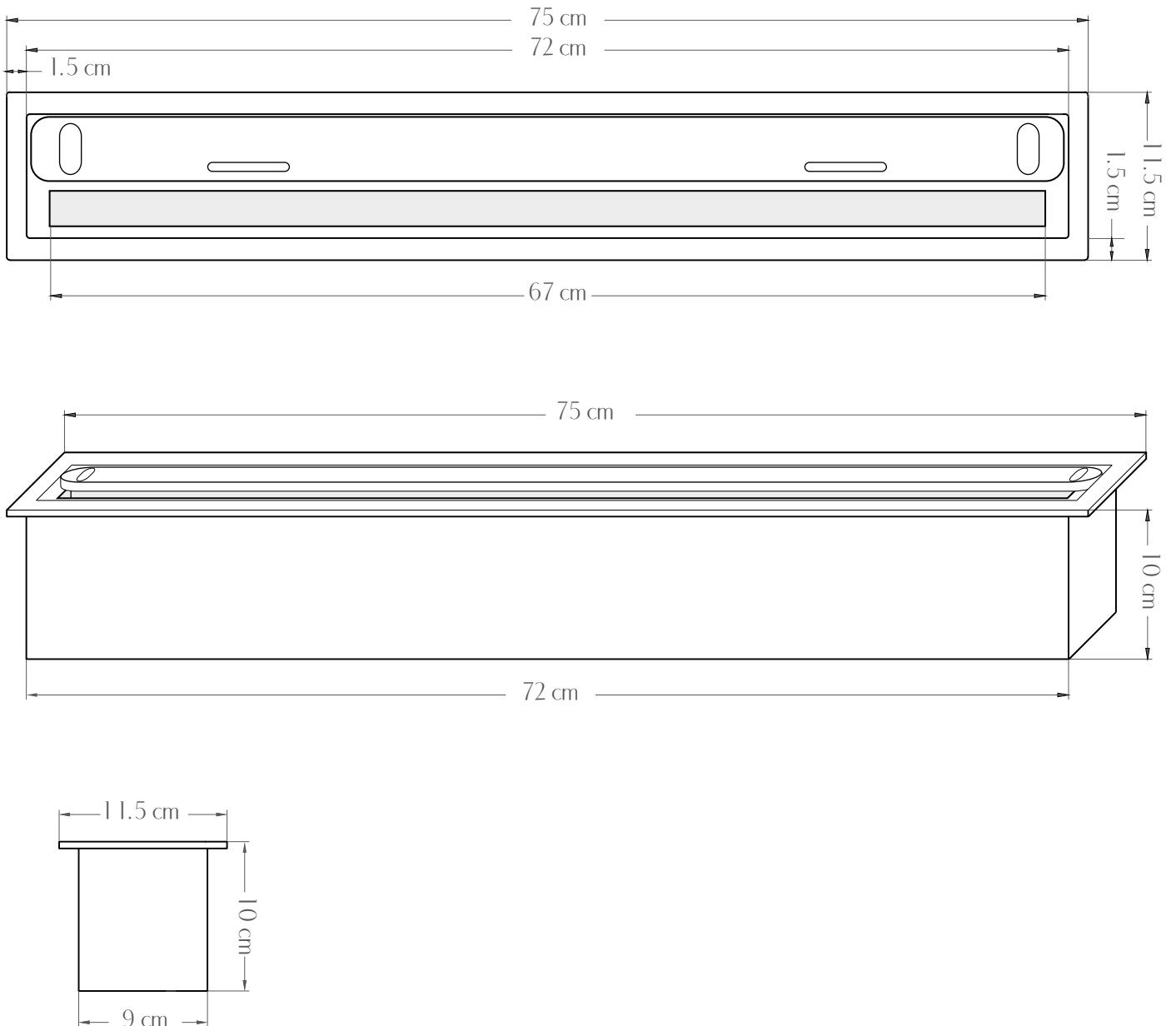
*The minimum room size is based on the full burning time of approx. 3.5–7 hours. If your room size does not meet this overall requirement air flow can be improved by opening a door or window, by regulating the flame, or by burning the fireplace for less than 3.5 hours at a time (on full opening) and less than 7 hours at a time (when regulated).

KEY NOTES ON BUILDING YOUR DESIRED FIRE

- The Regulating Bio Container (75) needs to be inserted into a completely fireproof and heatproof material such as stone, slate, brick, fireproof cement or vermiculite board. For the latter we highly recommend ©Vitcas (manufacturers of refractory materials) as the compatibility between both products has been checked and approved by ©Vitcas specialists. **Regular fireboard is not suitable for lining your opening.**
 - The top and back of your fireplace opening must also be constructed from a completely fireproof/heatproof material, as all the heat produced by the flames (approx. 4–5kW) will initially radiate out towards these areas before transferring into the room. **Regular fireboard or MDF is not suitable.**
 - Please note that the Regulating Bio Container is not suitable for installation within joinery.
 - There should be a minimum clearance of 550mm for the flame. (See p. 5 and 6 for other safety distances.)
 - **PLEASE NOTE: The Regulating Bio Container (75) cannot be placed two together in a long line.**
 - If your chimney is open, this will need to be sealed off with a non-flammable material, such as a vermiculite board. This will prevent unnecessary draughts which can cause the flame to enlarge, potentially buckling the burner.
 - **No pebbles, logs or other accessories should be placed across the flame.**
- Bioethanol flames must not be obstructed in order to burn cleanly. If you are looking to use ceramic accessories, you should arrange them **around the flame opening only, and not over the flame.**
- For a more luxurious look, you may decide to use granite or other stone to line your fire. When using natural stone, you must consult the manufacturer to ensure the stone is thick enough to prevent cracking as this fireplace will produce heat of 4–5kW per unit. Please note that the stone must also be fitted with highly elastic thermal glue to prevent the stone from cracking due to high temperatures.
 - **PLEASE NOTE: The Regulating Bio Burner can only be used in a 5-sided setting. It cannot be used as a see-through/dual aspect fireplace, or as an "L" shaped fireplace, or as an outdoor feature, as the open air will cause too much air flow around the flames.** Any increased air flow can lead to the flame becoming more volatile and leaning backwards, which will potentially leave scorch marks on the burner and/or surrounding materials and may cause the product to buckle.
 - This fireplace **cannot** be fully enclosed in glass. The maximum height of toughened glass screens in hole-in-the-wall settings should be no more than 10cm. Screens that are higher than this may cause an excessive amount of heat to build up internally, leading to metal expansion and buckling of the burner or burner lid.



REGULATING BIO CONTAINER



PLEASE NOTE: The Regulating Bio Container (75) must be installed in accordance with the guidelines and measurements stipulated in this Installation Manual. Any modifications or changes made to these specifications will invalidate the warranty and could cause the burner to buckle or culminate in other damage to the surrounding area. Gel Fireplaces Ltd shall not be held liable for any losses arising as a result of any modifications or changes made to this product, or caused by the unauthorised use of this product, or for any consequential damage due to its faulty installation.

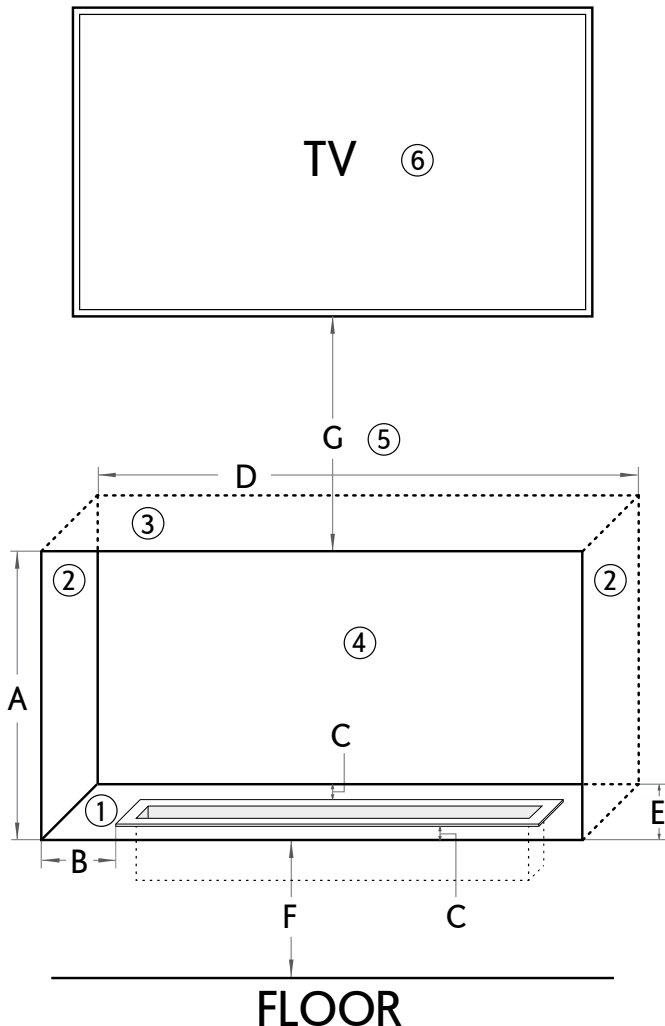
GUIDANCE for a sample use of our BIO CONTAINER

In principle, when building your bioethanol fire with our products, you should follow all the fireproof material regulations that you would for a regular fireplace, as you will be dealing with a real flame, even though you do not need a FLUE.

MOST IMPORTANT SAFETY MEASURES:

- Treat bioethanol fireplaces with **common sense**. There are no legal regulations and safety requirements regarding fires running on bioethanol. In terms of fire regulations, our fires fall under the same category as **candles**, but they produce much more heat and a much bigger flame, so safety measures need to be adjusted accordingly.
- **Always** make sure that your fire opening is made of fully fireproof materials. **MDF is not suitable**.
- Make sure that you have enough space for both the flames and heat – please allow a minimum clearance of 55cm above the top of the container.
- When lining the opening with stone or vermiculite board you must ensure there is an empty void underneath (see Option 1, p.6), otherwise there will not be enough airflow which will create higher flames and greater heat, which may cause the burner/lid to warp.
- When building a fireplace for somebody else (i.e. when you are a designer working on a project) always ensure that the end user is provided with a set of our Bio Container Directions and Instructions. With developments, we suggest you laminate the instructions and leave them for the new occupier with all the other property documentation, as well as placing a copy next to the fireplace.
- **Never over-fill your bioethanol fireplace. Misuse by overfilling could be very dangerous.**

REQUISITE DISTANCE AND SURFACE GUIDE



A, B, C, D, E, F, G refers to requisite distances

①, ②, ③, ④, ⑤ refers to recommended surfaces

- A – please ensure there is a 55cm clearance for the flame
- B – please allow a 15cm space on both sides of the Bio Container
- C – please allow a 14cm space on either side of the Bio Container
- D – the full length of the opening should be 105cm
- E – the depth of your fire opening should be 40cm
- F – there is no requirement regarding the distance from the floor to the Regulating Bio Container. All you need to remember is to use solid non-flammable materials for the "bed" into which you will be slotting the Bio Container.
- G – if you wish to place a TV above your fire, please think about the heat that will be rising off your Bio Container. The minimum safe distance between the top of the Bio Container housing and the bottom of the TV is 40cm, provided the TV is either fully recessed or protected by a non-flammable shelf.

Note: There must be a small gap between the side of the Bio Container and the housing opening to allow for the minor expansion of the container when hot.

- ① This area must be completely solid and fireproof. You can insert the Regulating Bio Container into brick, slate, stone, vermiculite board, fireproof cement or ceramic. MDF, plaster, and regular fireboard must NOT be used.
- ② Materials recommended: stone, slate, fireproof cement, brick, tiles, vermiculite board etc.
- ③ This top area is particularly affected by the heat. Make sure it is thick and solid: brick, fireproof cement, stone, vermiculite board etc. is suitable.
- ④ Suitable fireproof materials: stone, slate, tiles, brick, vermiculite board, fireproof cement, etc.
- ⑤ Use non-flammable materials such as vermiculite board, stone, slate, tiles, brick, fireproof cement, etc.
- ⑥ The TV must be either fully recessed or protected with a non-flammable shelf below.

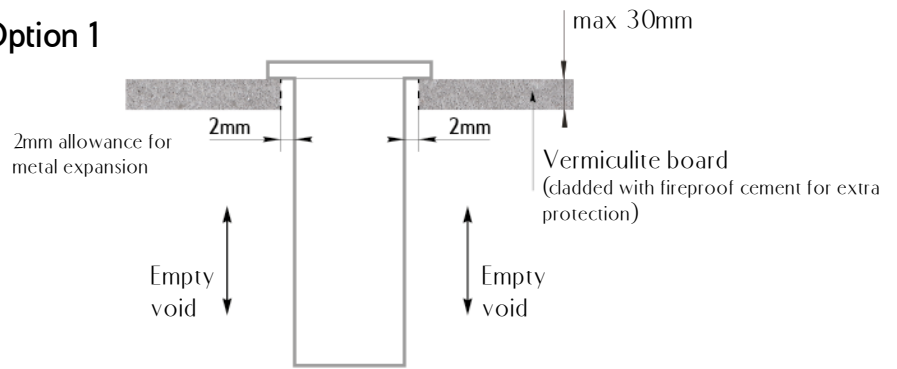
The Bio Container can be hung from a shelf on its steel rim but please allow space around its sides and bottom to allow for extra venting (see Option 1). **Make sure the fit on top is loose to allow for the expansion of the metal when the container is hot.**

The depth of materials used for the shelf supporting the Bio Container should not exceed 30mm, as this will cause excessive heat below, resulting in a lack of ventilation and creating multiple safety issues i.e. increased flame height; buckling of lid and cracking of decorative top surface.

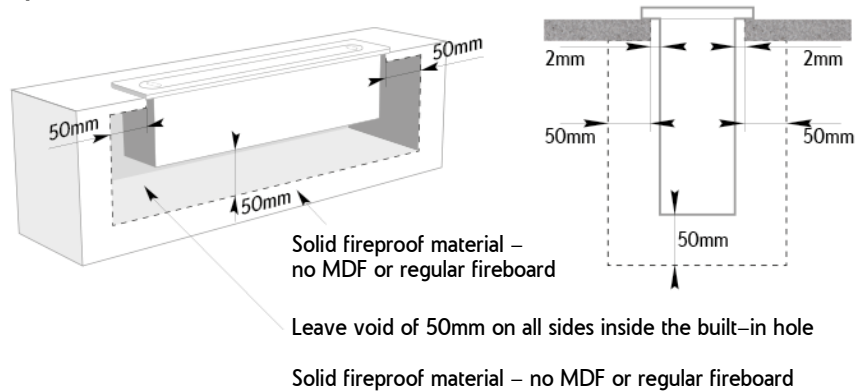
Alternatively, if you are cutting a hole into a solid fireproof material (MDF or regular fireboard is not suitable), please ensure you leave about 2mm extra space around all sides of the bio container to allow for metal expansion.

You should also leave a void around the burner inside the built-in hole of at least 50mm and at least 50mm below it to allow enough air flow (see Option 2). **Failure to do this may cause your lining to crack.**

Option 1



Option 2



CASE STUDY



This case study features a hole-in-the-wall project with the original model of our Bio Containers.

The opening must be made of – or lined with – a **completely fireproof material**, such as brick; stone; slate; metal or a special vermiculite board which is available online.

In this instance, a slot for the container has been made in a solid brick old chimney breast.



After ensuring the required measurements were adhered to, the Bio Container slot was lined with wire netting.

(Make sure the fit is not too tight, as metal expands when heated. Always leave 2–3mm gap between the body of the container and your cut slot.)

The whole opening was lined with fireproof cement and painted black with fireproof paint.



The finished fireplace blends seamlessly with the surrounding aesthetic, and because it was properly insulated, it is safe to hang a flat TV screen above it.

By using our ceramic Driftwood branches or Luxury Log Set (available at biofires.com), the fireplace emulates the authenticity of a gas fire – the viewer will not be able to notice any difference!

FRAGRANCE DIFFUSER – UNIQUE FEATURE



Original model

Our Aura Oils are specially formulated to enable them to be used close to the flame, so they will evaporate with heat, unlike other fragrance oils which will catch fire and burn out instantly. Use the eye-dropper to place 1-3 drops of your desired oil into the fragrance diffuser fitted on the lip of the Bio Container.

NOTE: Aura Oil may leave stains on your lid. If you do not have any accessories to cover your Bio Container and wish to keep your container looking clean, please make sure you wash/wipe the diffuser area often.

**SPECIAL
FORMULA OIL**
– with reduced
flammability

WE HAVE A SELECTION OF AMAZING FRAGRANCES

AURA Fragrance Oil	No 1 Blazing Wood Fire	No 2 Forest Log Cabin	No 3 Winter Cinnamon Spice	No 4 Amber & Vanilla
No 5 Tuscan Frosted Fig	No 6 Woodlands Blackberry & Rose	No 7 Oriental Green Tea & Citrus		



NOTE: REGULAR ESSENTIAL OILS ARE NOT SUITABLE

NO gas NO flue NO smoke



Tel.: 0207 724 1919
2 Abingdon Rd, Kensington
London W8 6AF
www.biofires.com

Please note that the information and advice contained
in this installation manual applies to our burners only.