

Air Scrubber Owner's Manual

Model:
X-2700, X-2800, X-2830

(115 V~, 60Hz)

Read and save these instructions before use



Intertek

www.xpower.com | 1-(855)-855-8868 | info@xpower.com

Index: NA-1-A38
Edition: 2.1.Final

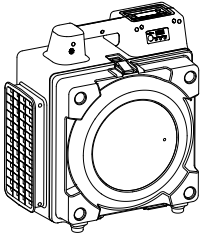
Safety Instructions

WARNING - READ AND SAVE THIS INSTRUCTIONS BEFORE USING THIS PRODUCT.

The user of electrical products may create hazards that include, but are not limited to injury, fire, electrical shock. Failure to follow these instructions may damage and/or impair its operation and void the warranty.

- Before operating, remove all packaging material and check for any damage that may have occurred during shipping or any missing items.
- Check household power supply to ensure it matches the appliance's specification.
- **DO NOT** operate any fan with a damaged cord or plug. Discard fan or return it to an authorized service facility for examination and/or repair.
- Use only on GFCI protected receptacles. Please contact a qualified electrician for verification and / or installation of a GFCI receptacle if necessary.
- **DO NOT** run cord under carpeting. **DO NOT** cover cord with throw rugs, runners, or similar coverings. **DO NOT** route cord under furniture or appliances. Arrange cord away from traffic area and where it will not be tripped over.
- To reduce the risk of fire or electric shock, **DO NOT** use this appliance with any solid-state speed control device.
- **DO NOT** touch this appliance or the plug with wet hands or while standing in water.
- **DO NOT** operate the appliance in any pooled water.
- **DO NOT** use the product in areas where gasoline, paint or other flammable goods and objects are used or stored.
- **DO NOT** insert or allow objects to enter any ventilation or exhaust opening as this may damage the appliance and void the warranty.
- **DO NOT** cover the air inlet or outlet on the appliance.
- **DO NOT** direct the air flow at human faces or bodies.
- **DO NOT** allow children to play around or with this appliance.
- **AUTOMATICALLY OPERATED DEVICE** – To reduce the risk of injury, disconnect from power supply before servicing.
- Remove the power cord from the electrical receptacle by grasping and pulling on the power cord plug-end only, **DO NOT** pull the cord directly.
- **DO NOT** attempt to repair or adjust any electrical or mechanical functions of this appliance, as this may cause danger and void the warranty.
- If the appliance is damaged or it malfunctions, **DO NOT** continue to use it. Unplug the product from the electrical outlet. Refer to troubleshooting guide or contact XPOWER.
- Store in a dry area, away from exposure to sunlight, extreme temperature and humidity, or other extreme environments, when not in use.
- **DO NOT** stack more than five units of this appliance.
- An electronic instruction manual can be obtained through manufacturer's website www.xpower.com.

Items Included



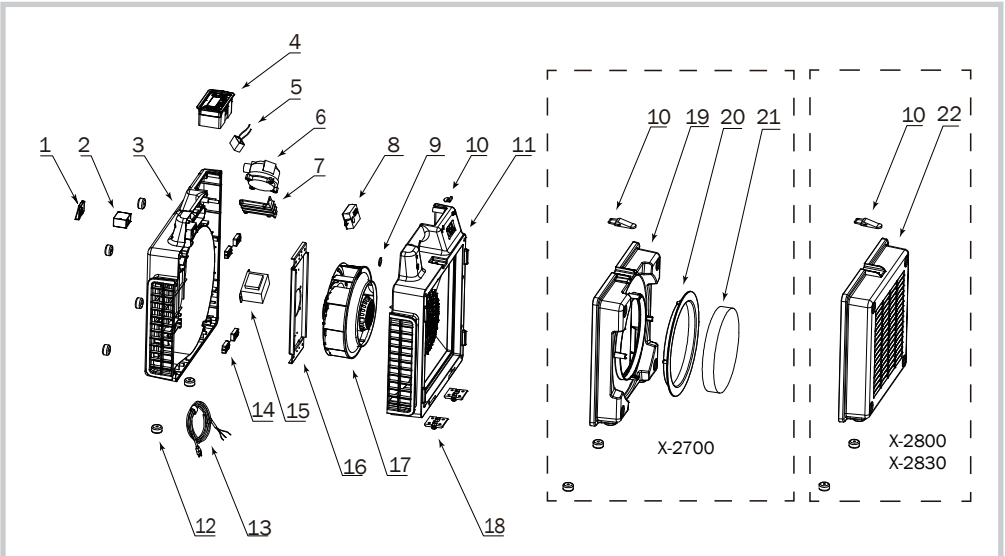
• Air Scrubber x 1



• Owner's Manual x 1

Parts Description

Machine

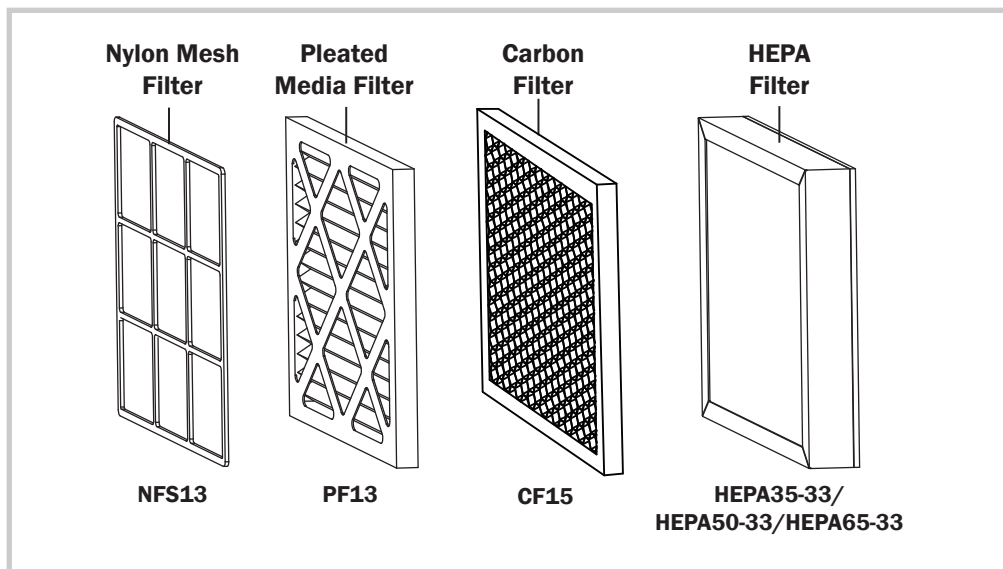


- (1) Air Quality Sensor Cover
- (2) Air Quality Sensor
- (3) Rear Housing
- (4) Switch Plate
- (5) Capacitor
- (6) Pressure Switch
- (7) Pressure Switch Cover
- (8) Air Quality Sensor Box

- (9) Rubber Sealing Ring
- (10) Latch Kit
- (11) Front Housing
- (12) Rubber Feet
- (13) Power Cord
- (14) Quakeproof Washer
- (15) Transformer
- (16) Motor Holder

- (17) Motor Assembly
- (18) Zinc Alloy Hinge
- (19) Cover
- (20) Air Inlet End Cover
- (21) Foam Cover
- (22) Cover

Filters



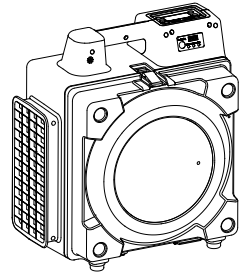
MODEL NUMBER	X-2700	X-2800	X-2830
First Stage Filter		NFS13	
Second Stage Filter		PF13	
Third Stage Filter	HEPA35-33	HEPA65-33	CF15
Fourth Stage Filter	-	-	HEPA50-33

The graph only presents the appearance of the filters. The actual sizes of filters with different part number could be slightly different. (See Page 15: Technical Specifications)

If your product(s) is not listed above, please visit www.xpower.com for more information.

Air Scrubber Introduction

- XPOWER's unique and highly innovative Air Scrubbers create a fresh and clean environment for various purposes.
- With a special designed powerful motor, XPOWER Air Scrubbers are able to provide suction in even difficult areas.
- The included filtration system can capture a wide range of compounds and prevents organism migration from location to location.

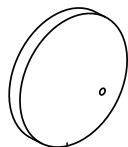


Installation and Operation Guide

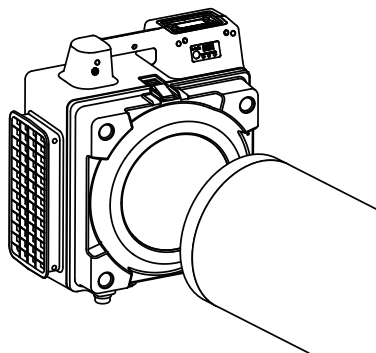
Selecting a Location (Important)

- **Enclosed Area:** For optimal efficiency and longer filter lifespan, the Air Scrubber should be operated in an enclosed area. Keep all doors, windows and other outside entrances to the room closed.
- **Air Circulation:** It's suggested to have a constant efficient air circulation inside your working area. You may achieve this with XPOWER Air Mover combinations.
- **Environment Humidity:** For optimal efficiency and higher filter lifespan, the Air Scrubber should not be operated in an environment with a high relative humidity level. High humidity level could cause blockage and damage to filters.
- **Power Cord:** The power cord has a length of 13 feet (4.0 meters). Select a location where the power cord can reach the power source.
- **Inlet and Outlet Orientation:** Also pay attention to the orientation of the air inlet and air outlet. Make sure the airflow won't influence any object nearby the Air Scrubber.
- **IMPORTANT:** The effectiveness of the Air Scrubber can be influenced by different factors. You may also find that installing multiple Air Scrubbers may be required for larger enclosed areas.

Extension Setup (Optional)



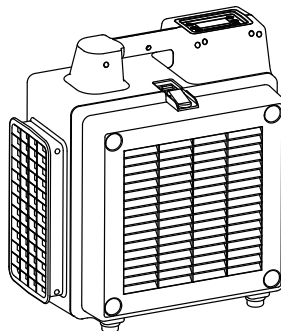
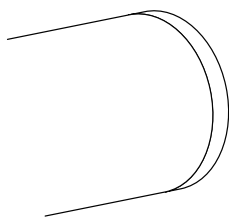
Foam Cover



Intake Ducting

- Turn off the machine and remove the foam cover*.
- Attach the ducting hose to the intake.

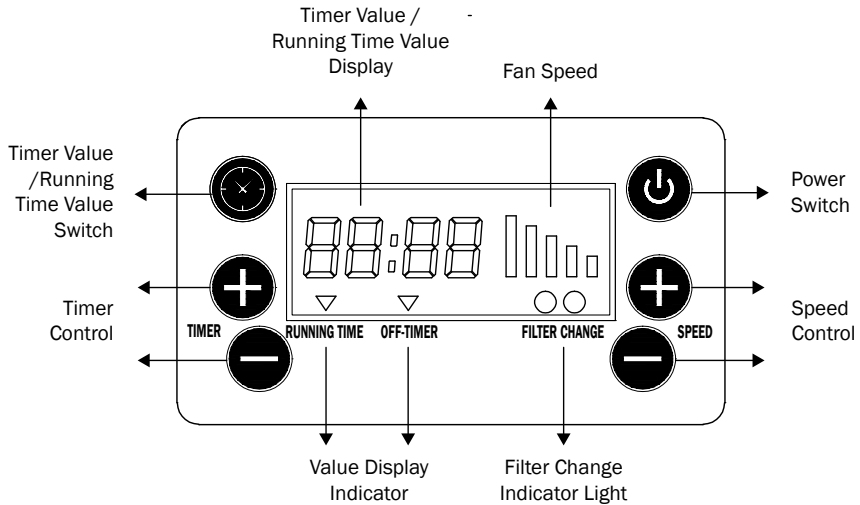
* For model X-2700 only.



Exhaust Ducting


- Turn off the machine.
- Attach the ducting hose to the exhaust.


Control Panel




Buttons

Power Switch 
Press to switch on / off the machine.


Running Time Value / Timer Value Switch 
Press to exit timer setting mode and switch the display of the running time value / enter timer setting mode and timer value display.

Speed Control 
Tap "+" / "-" to increase / decrease the desired fan speed.

Timer Control 
When the display is switched to indicate the timer value, tap "+" / "-" increase / decrease the value of the timer setting.

Information

Timer Value / Running Time Value Display 
This will show the value of the timer or running time. As default, it displays the running time value. When the machine is switched off, the value will be reset to zero automatically.

Fan Speed Display 
This will show the speed setting of the fan. There are 5 speed settings. 5 Bars mean the machine is on the highest speed setting and 1 bar means the machine is on the lowest speed setting.

Control Panel (Continued)

Indicators

Running Time Value Display Indicator



When this indicator illuminates, it indicates the value display is showing the value of the running time.

Timer Value

Display Indicator



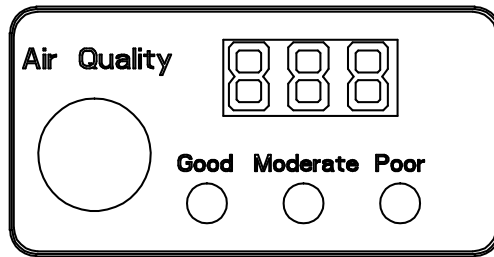
When this indicator illuminates, it indicates the machine enters the timer setting mode and the value display is showing the value of the timer.

Filter Change Indicator Light



When the green light illuminates, it indicates the filters are under a good condition. When the red light illuminates, it indicates that the filters have exceeded the maximum capacity of particles, and the filtration efficiency has diminished. You should clean or replace the filters. (See Page 10: Filter Maintenance)

Air Quality Monitor

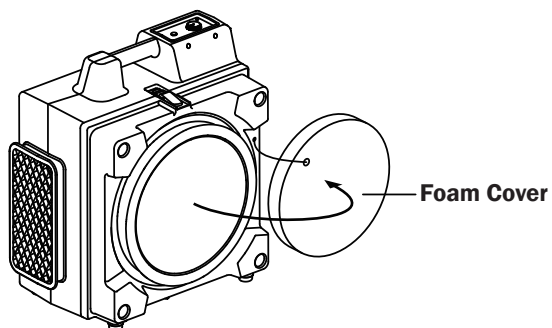


- When this monitor blinks, it indicates the Air Quality Sensor is now preparing for detection.
- The digital display will show the concentration of fine particulate matter (PM_{2.5}) in the environment in $\mu\text{g}/\text{m}^3$.
- The index light will indicate the air quality category of the environment. According to the Air Quality Index developed by the United States Environmental Protection Agency (EPA), the index light corresponds to different levels of health concern as below:

Air Quality Monitor (Continued)

Index Light	Levels of Health Concern according to the AQI by EPA
Green / Good	Good
Orange (Yellow) / Moderate	Moderate or, Unhealthy for Sensitive Groups
Red / Poor	Unhealthy, or Very Unhealthy, or Hazardous

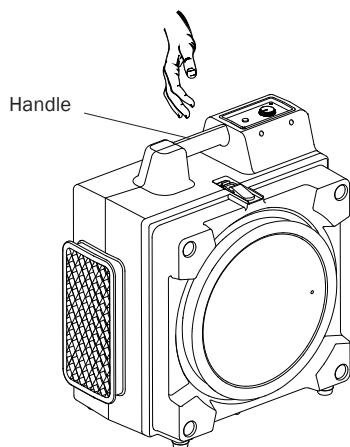
Foam Cover*



- Before use, please take off the foam cover. Otherwise it will cause abnormal motor operation and failure.
- After use, please put back the foam cover.

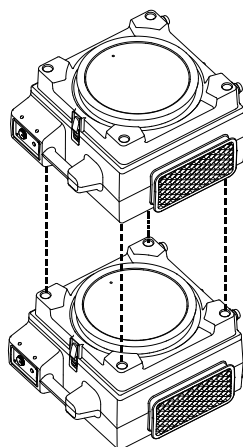
* For model X-2700 only.

Transportation



Carry with Handle

Lift the Air Scrubber with the handle on the top of the housing.



Stack in Carrier

You can stack up to 5 Air Scrubbers and transport.

User Maintenance Instructions

Frequent maintenance is recommended on this appliance. Failure to follow the maintenance instructions may cause failure of the appliance and void the warranty.

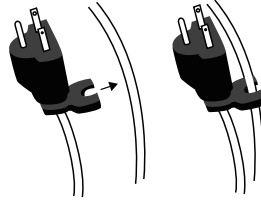
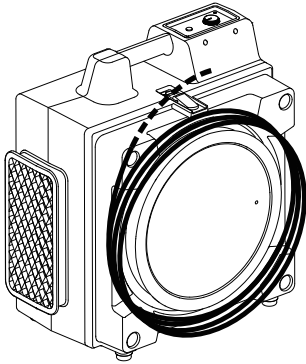
Before performing any maintenance or cleaning, always disconnect the Air Scrubber from its power source.

Machine Maintenance

- When not in use, unplug, remove all the extension and cover the intake with the foam cover* (See Also Page 8: *Foam Cover*). Store the appliance in a dry and cool indoor place. Make sure it's out of reach of children.
- Use a damp cloth to wipe the surface of the housing. Do not clean the unit with water directly.
- Check if the grille covers are clean. Remove dirt or any other objects that could block the air inlet and air outlet.
- Do not stack more than five units of this appliance.

* For model X-2700 only.

Machine Maintenance (Continued)



Organize the Cord

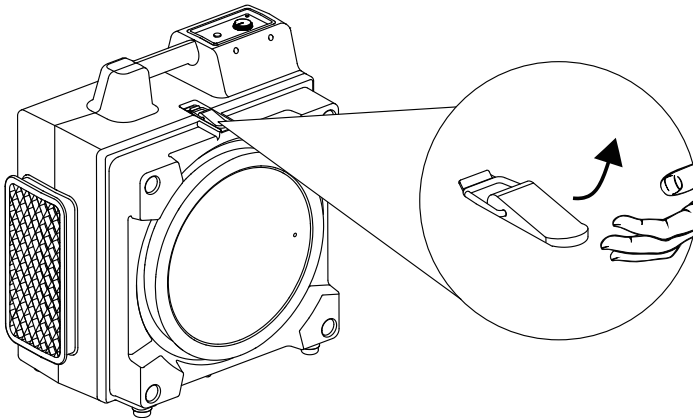
- Wrap the power cord around the intake for storage after use.*
- Use convenient clip at end of cord to secure in place.

* Wrap-around design does not apply to all models mentioned in this manual.

Filter Maintenance

To ensure the best filtration efficiency and to prevent secondary pollution of used filters, you should replace or clean the filters frequently or when the filter change light illuminates. Please follow the instructions below.

Unload the filters (See Also Page 3: Parts Description)



Inner Filters

Open the filter cover by releasing the latch kit on top. Unload inner filters inside.

Filter Maintenance (Continued)

Clean the filters (See Also Page 4: Filters)

- **Nylon Mesh Filters:** These filters are washable with water. Use a vacuum or clean cloth to remove loose debris. And then further clean the filter with water. Use a cloth to remove the water on the filter and dry it naturally in the air.
- **Pleated Media Filters:** This filter is not washable. Use a vacuum to remove loose debris. If filter change light still illuminates, you might need to replace the filter.
- **Carbon Filters:** This filter is not washable. Use a vacuum to remove loose debris. Lay it flat on a clean and dry surface under the sun for 3 hours. Sunshine will help remove various substance absorbed in the carbon with an appropriate temperature. If filter change light still illuminates or a decline of effectiveness is noted, you might need to replace the filter.
- **HEPA Filters:** This filter is not washable or reusable. Highly concentrated particles are captured by the HEPA filter and cleaning this filter can be hazardous to human health and contaminate the nearby environment. You must replace the filter if all the other filters are clean and however the filter change light still illuminates.

Filter storage

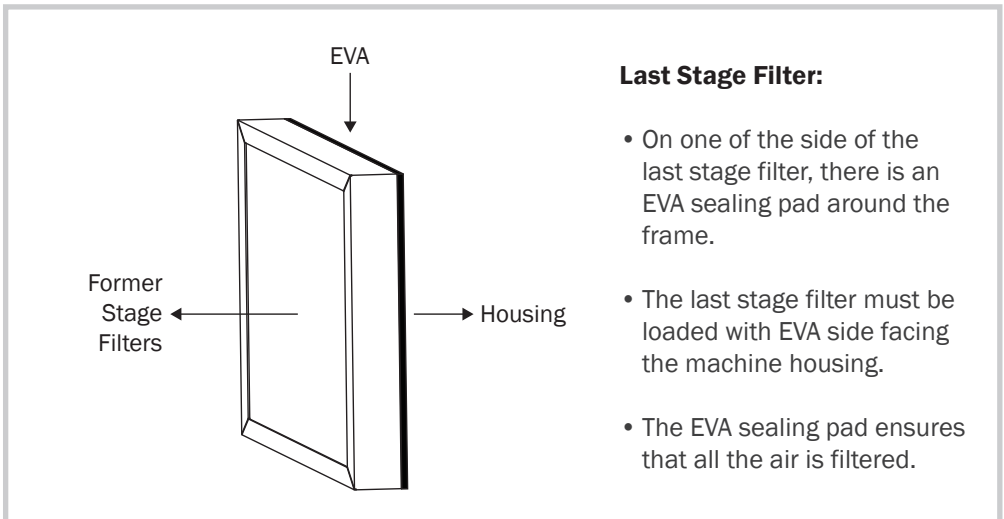
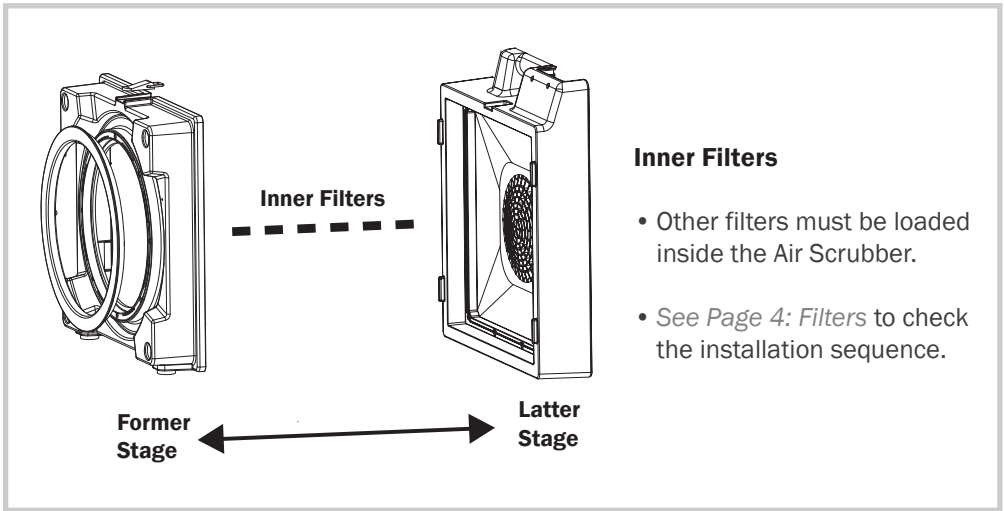
- When not in use for a long time, you should store the filter separately from the machine.
- Always clean the filters before storage. Place the filters in a sealed plastic bag and store it in a dry and cool indoor place.

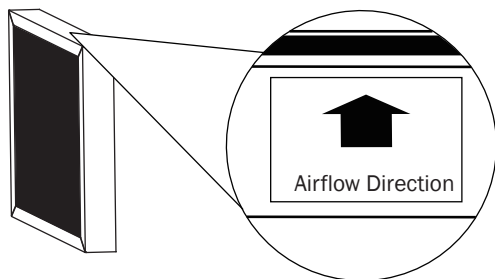
WARNING: DISPOSAL OF FILTERS NO LONGER IN USE

The particles captured by a used filter can cause adverse human health effects and contaminate the nearby environment once the filter is exposed to the open air. Adequate personal protection equipment (PPE) is required during the whole process, for example, industry approved masks, eye protectors, gloves and coveralls. You should place the used filters in a sealed plastic bag before disposing. Follow local disposal regulations.

Reload the filters

To ensure the best efficiency and lifespan, each filter must be reloaded in a correct position, sequence and orientation.





Tips:

- On one of the side of each filter, there is a label with an arrow showing the airflow direction.
- When placing the filter, the side with label should face up. The arrow on the label should point to the blue housing.

Troubleshooting Guide

PROBLEM	POSSIBLE CAUSE	SOLUTION
Air Scrubber does not start	No electricity.	Check for power supply.
	The power cord is not properly plugged in.	Remove and reconnect the power cord.
Unit runs but no or very low air movement	Air outlet is blocked.	Remove blockage.
	Filters are fully loaded. The filter change light illuminates.	Clean or replace the loaded filters. (See Page 10: Filter Maintenance)

If troubleshooting does not resolve your problem, please contact XPOWER or other parties authorized by XPOWER for further instructions.

Technical Specification

Machine Specification

MODEL NUMBER	X-2700	X-2800	X-2830
Voltage/ Frequency	115 V~, 60 Hz		
Amperage	2.8 A		
Motor Power	1/2 HP		
Rated Airflow	550 CFM		
Speed Control	5 Speeds		
Off-Timer Meter	0.5 - 24 h		
Cord Length	13 ft. / 4 m		
Unit Dimension (L) x (W) x (H)	16.6 x 10.4 x 18.9 in. / 42.2 x 26.4 x 48.0 cm		
Unit Weight	23.7 lbs. / 10.74 kg	24.5 lbs. / 11.1 kg	24.7 lbs. / 11.2 kg